

FIRE

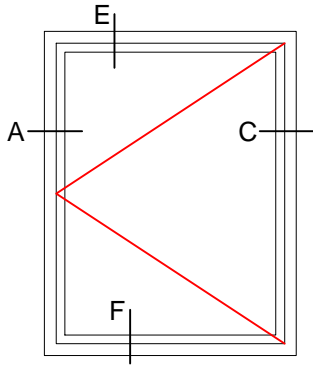
TYPICAL EXTERIOR ELEVATIONS

FR4700-IC SERIES

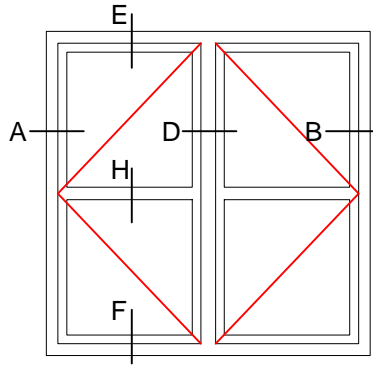
Scale: Not To Scale

UL APPROVED AND CERTIFIED
SELF-CLOSING INSWING CASEMENT
3/4 HOUR FIRE RATED

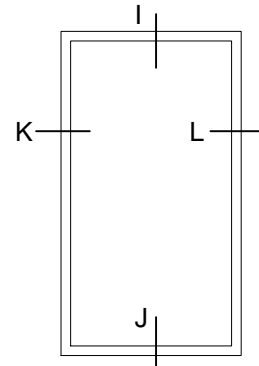
PAGE 1 OF 7



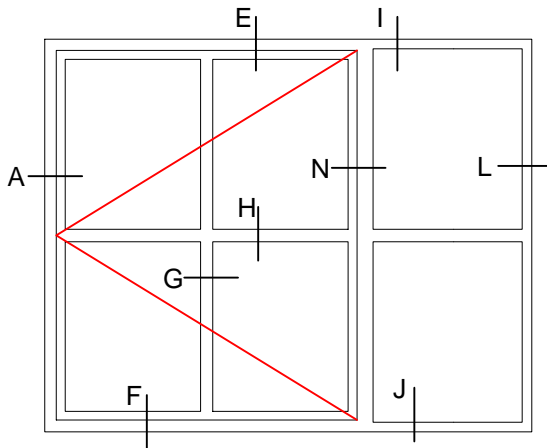
FR 4711-IC



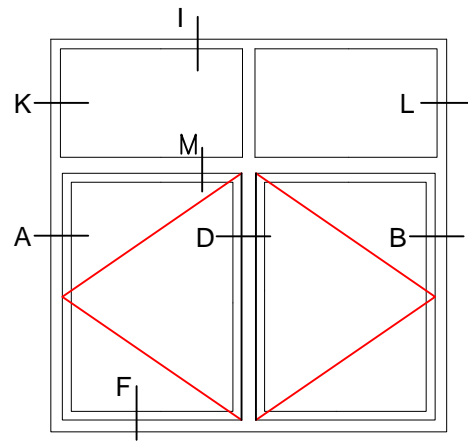
FR 4722-DIC



FR 4711-FX



FR 4742-IC-FX



FR 4743-IC-FX



28 Canal Street, Ellenville, NY 12428
Phone (845) 647-1900

FIRE

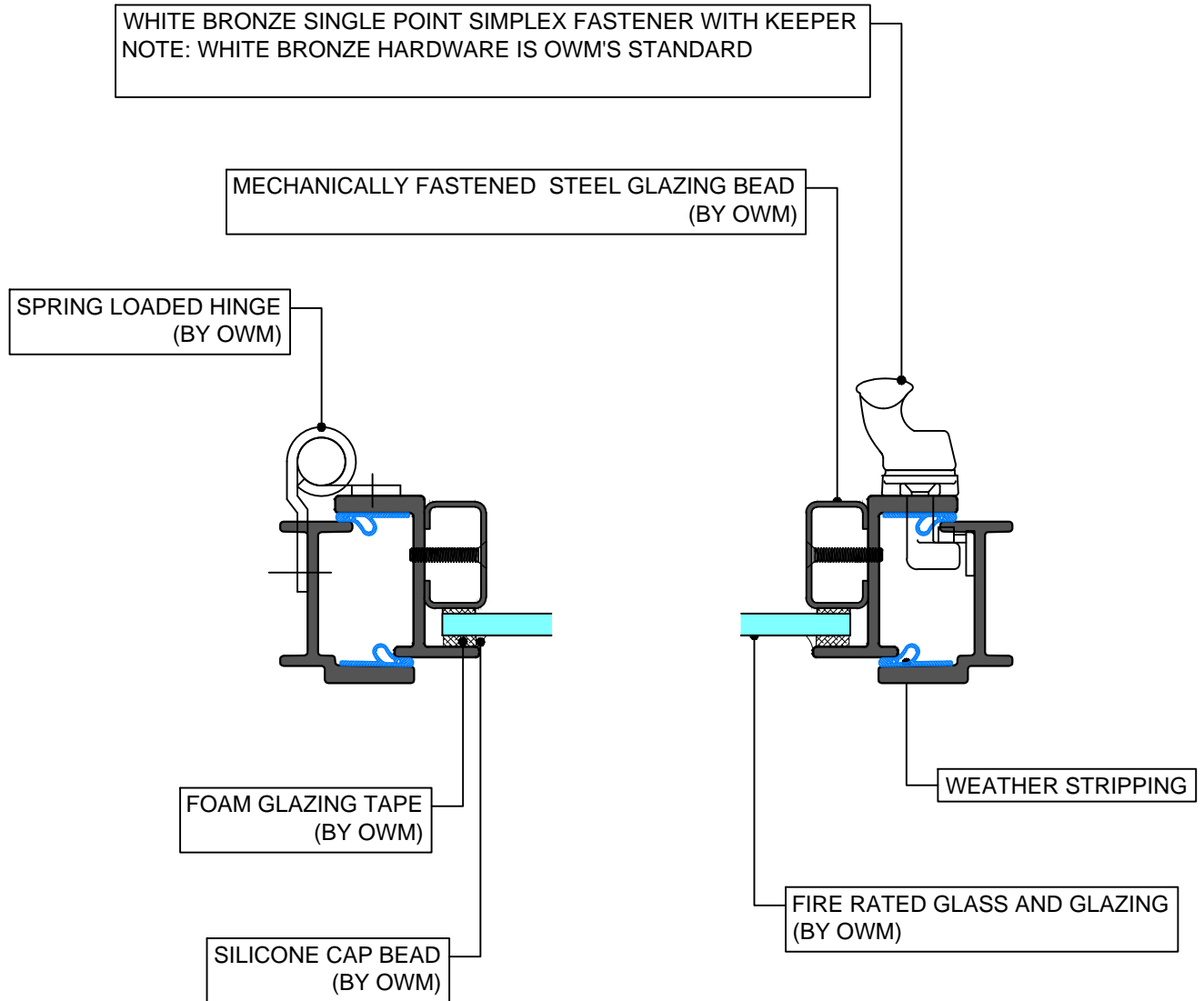
KEY TYPICAL

Scale: 1:2

FR4700-IC SERIES

UL APPROVED AND CERTIFIED
SELF-CLOSING INSWING CASEMENT
3/4 HOUR FIRE RATED

PAGE 2 OF 7



28 Canal Street, Ellenville, NY 12428
Phone (845) 647-1900

FIRE

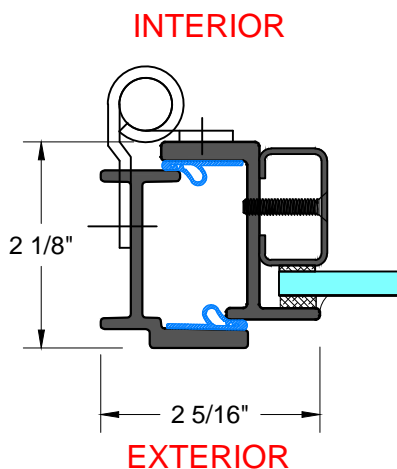
TYPICAL DETAILS

Scale: 1:2

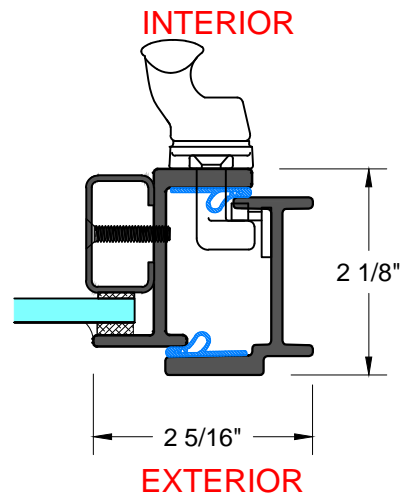
FR4700-IC SERIES

PAGE 3 OF 7

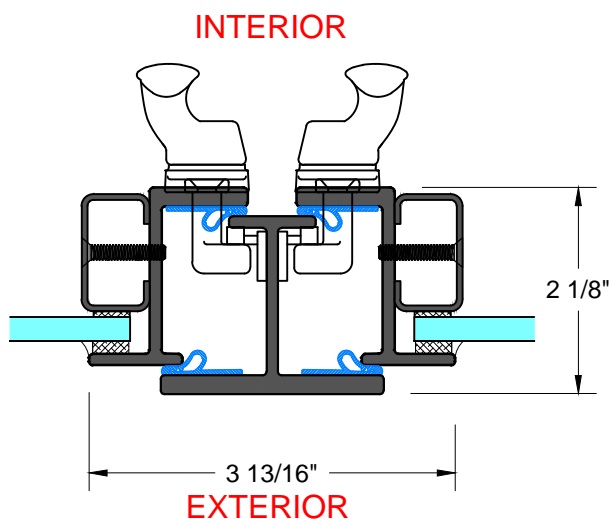
UL APPROVED AND CERTIFIED
SELF-CLOSING INSWING CASEMENT
3/4 HOUR FIRE RATED



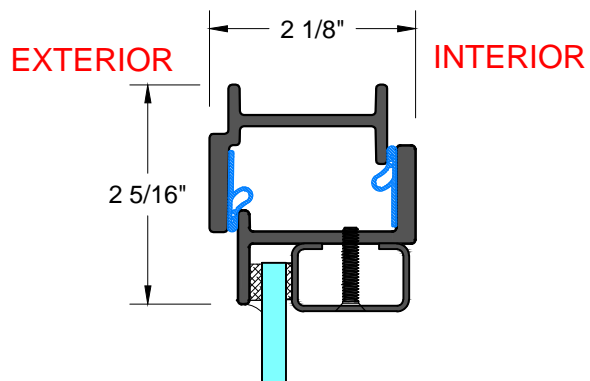
A&B TYPICAL HINGED JAMB



C TYPICAL LOCKING JAMB



D TYPICAL MEETING RAIL



E&F TYPICAL HEAD & SILL



28 Canal Street, Ellenville, NY 12428
Phone (845) 647-1900

FIRE

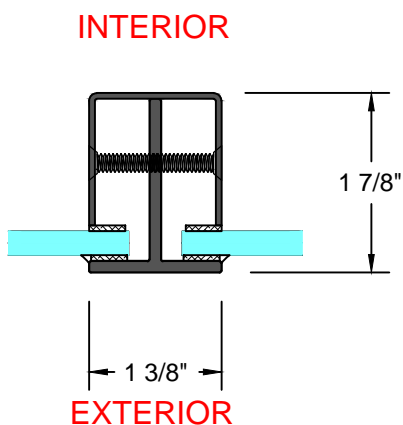
FR4700-IC SERIES

TYPICAL DETAILS

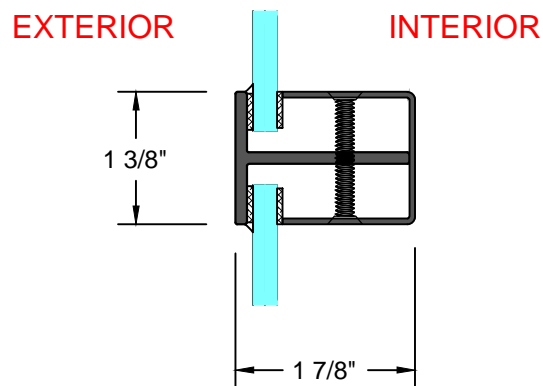
Scale: 1:2

UL APPROVED AND CERTIFIED
SELF-CLOSING INSWING CASEMENT
3/4 HOUR FIRE RATED

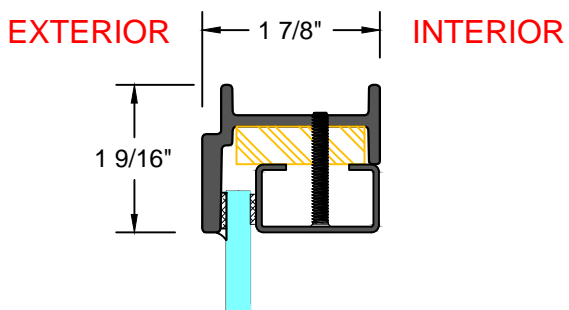
PAGE 4 OF 7



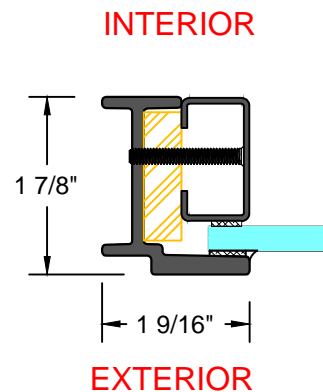
G TYPICAL VERTICAL MUNTIN



H TYPICAL HORIZONTAL MUNTIN



I&J TYPICAL FIXED HEAD & SILL



K&L TYPICAL FIXED JAMB



28 Canal Street, Ellenville, NY 12428
Phone (845) 647-1900

FIRE

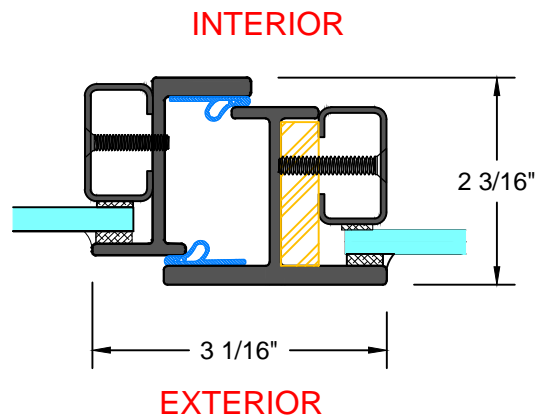
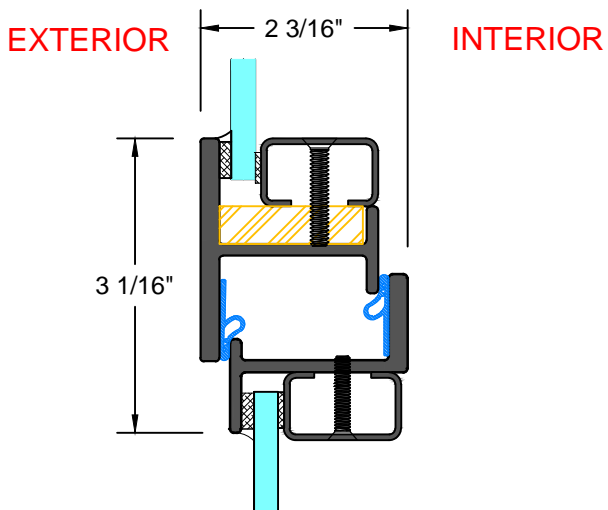
TYPICAL DETAILS

Scale: 1:2

FR4700-IC SERIES

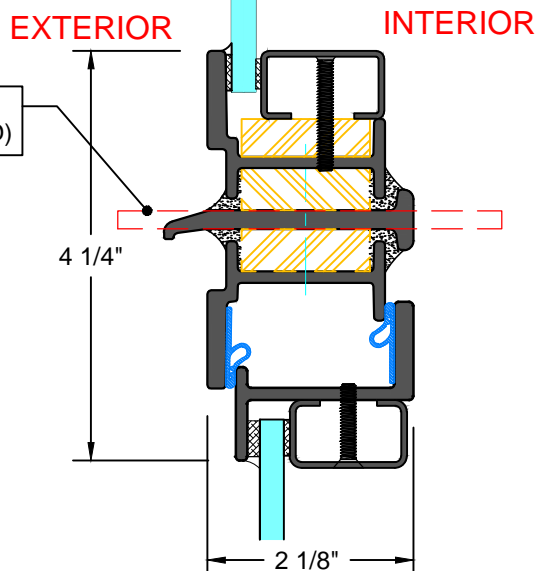
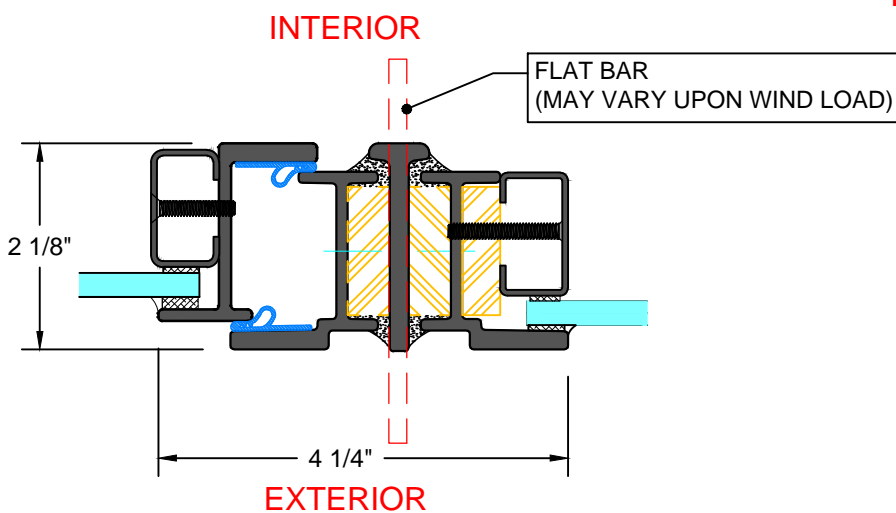
PAGE 5 OF 7

UL APPROVED AND CERTIFIED
SELF-CLOSING INSWING CASEMENT
3/4 HOUR FIRE RATED



M TYPICAL HEAD
W/ TRANSOM

N TYPICAL JAMB
W/ SIDELITE



P TYPICAL
MULLION

R TYPICAL STACKING
MULLION



28 Canal Street, Ellenville, NY 12428
Phone (845) 647-1900

FIRE

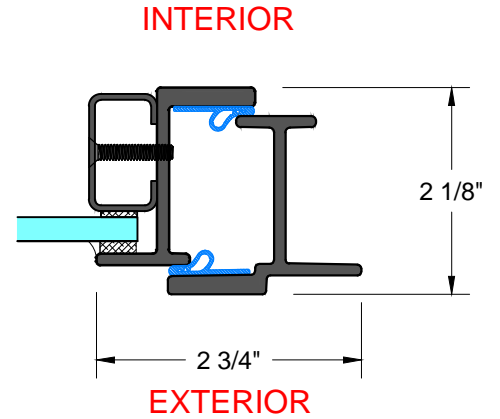
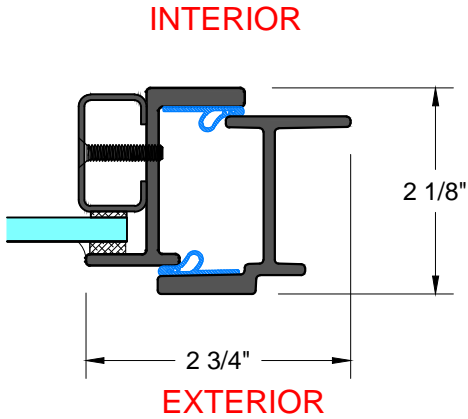
FRAME OPTIONS

Scale: 1:2

FR4700-IC SERIES

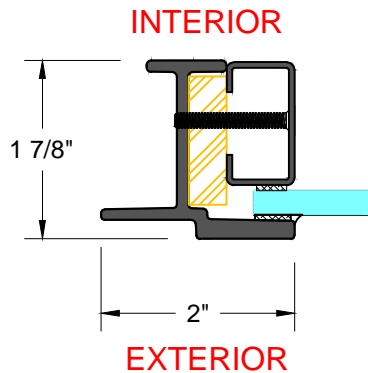
PAGE 6 OF 7

UL APPROVED AND CERTIFIED
SELF-CLOSING INSWING CASEMENT
3/4 HOUR FIRE RATED



1 TYPICAL JAMB
INTERIOR FLANGE

2 TYPICAL JAMB
EXTERIOR FLANGE



3 TYPICAL FIXED
JAMB FLANGE



28 Canal Street, Ellenville, NY 12428
Phone (845) 647-1900

FIRE

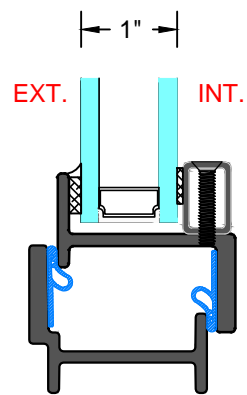
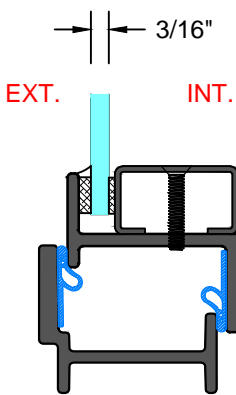
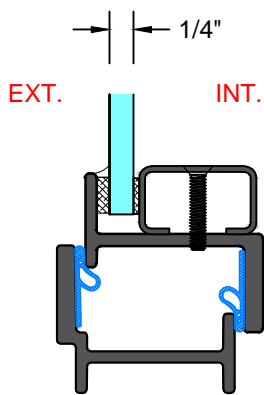
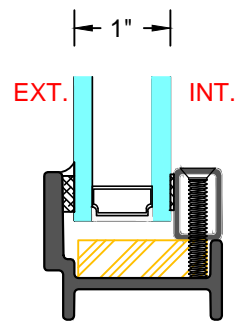
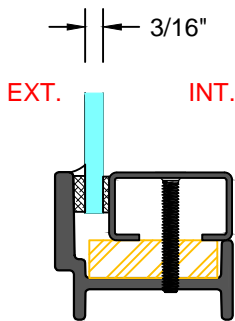
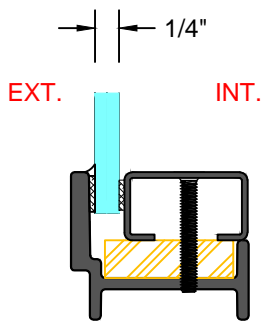
GLAZING OPTIONS

Scale: 1:2

FR4700-IC SERIES

UL APPROVED AND CERTIFIED
SELF-CLOSING INSWING CASEMENT
3/4 HOUR FIRE RATED

PAGE 7 OF 7



28 Canal Street, Ellenville, NY 12428
Phone (845) 647-1900