

FIRE

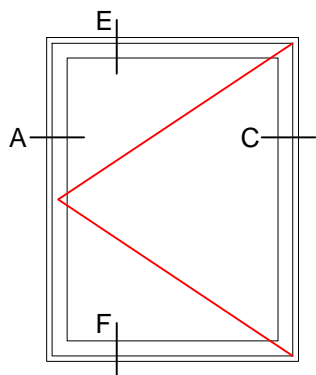
TYPICAL EXTERIOR ELEVATIONS

FR4700-OC SERIES

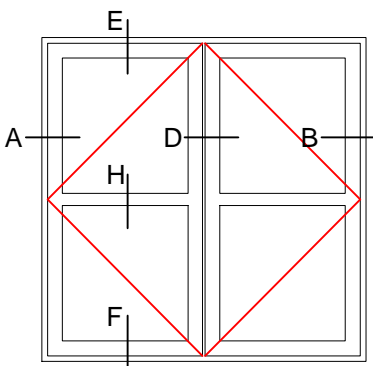
Scale: Not To Scale

UL APPROVED AND CERTIFIED
SELF-CLOSING OUTSWING CASEMENT
3/4 HOUR FIRE RATED

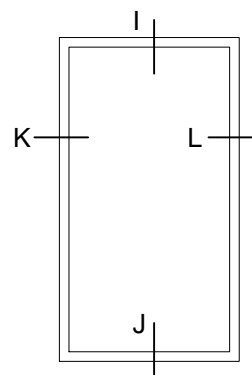
PAGE 1 OF 7



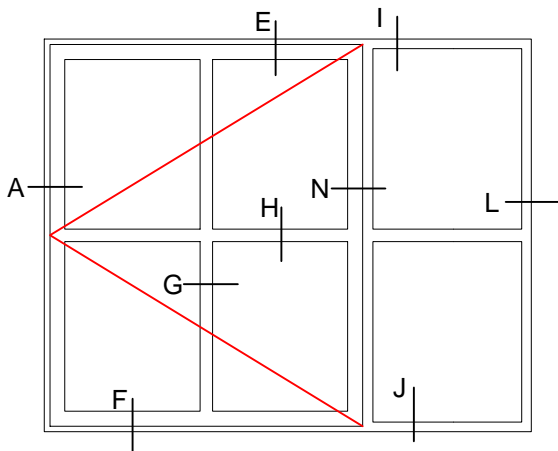
FR 4711- OC



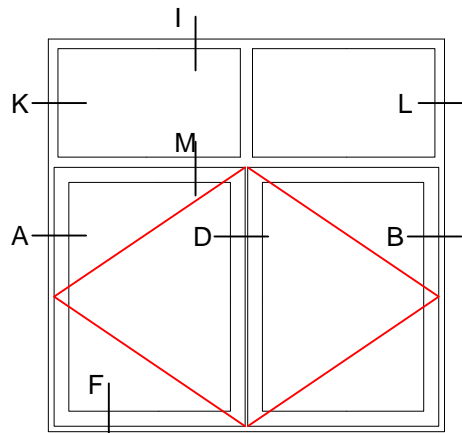
FR 47212 - DOC



FR 4711-FX



FR 4742-OC-FX



FR 4743-OC-FX

MAXIMUM ALLOWABLE SINGLE CASEMENT DIMENSIONS 36" X 60"
MAXIMUM ALLOWABLE DOUBLE CASEMENT DIMENSIONS 72" X 60"



28 Canal Street, Ellenville, NY 12428
Phone (845) 647-1900

FIRE

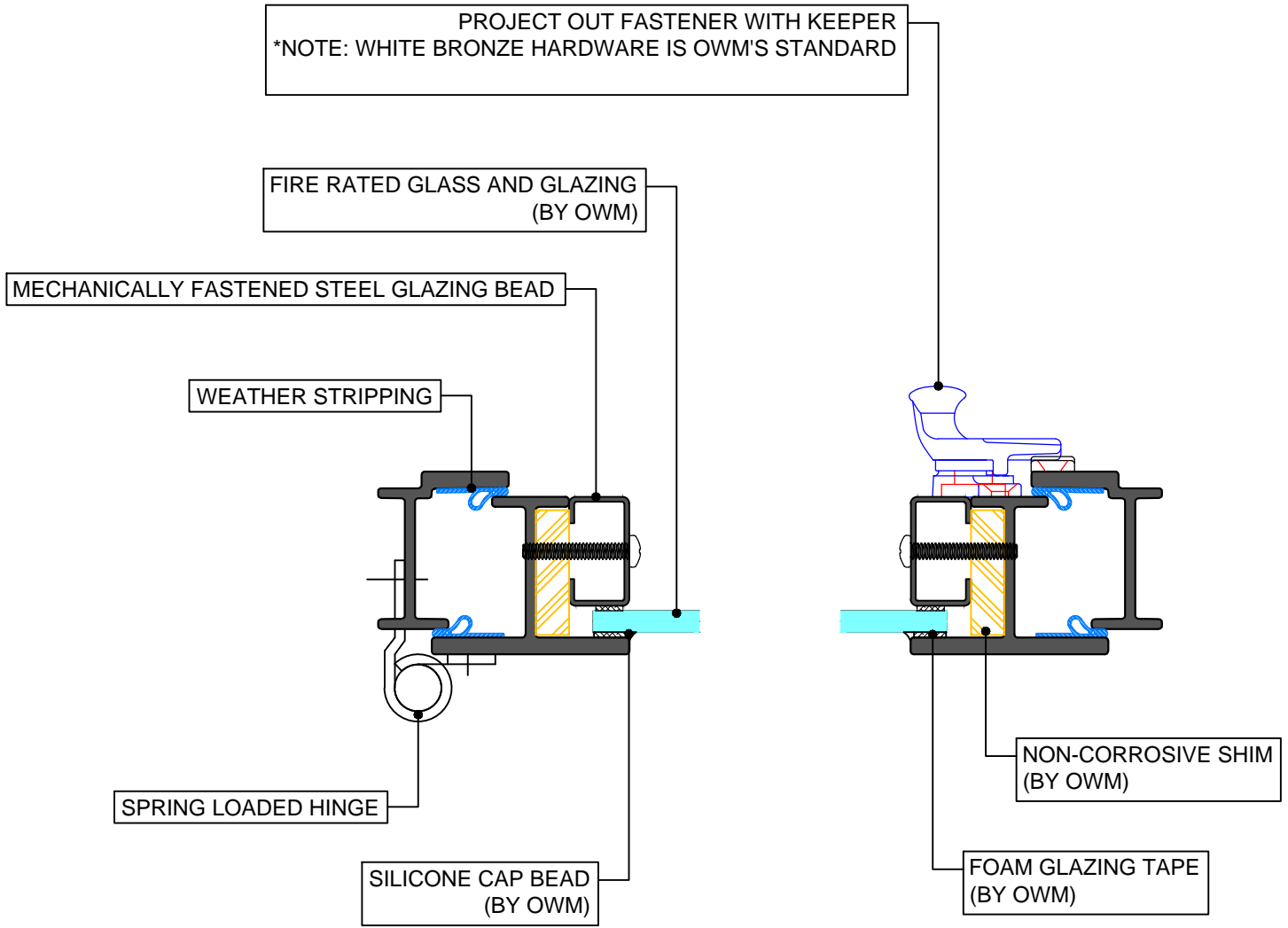
FR4700-OC SERIES

KEY TYPICAL

Scale: 1:2

UL APPROVED AND CERTIFIED
SELF-CLOSING OUTSWING CASEMENT
3/4 HOUR FIRE RATED

PAGE 2 OF 7



28 Canal Street, Ellenville, NY 12428
Phone (845) 647-1900

FIRE

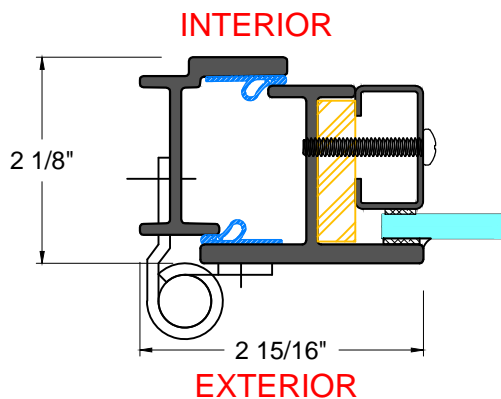
TYPICAL DETAILS

Scale: 1:2

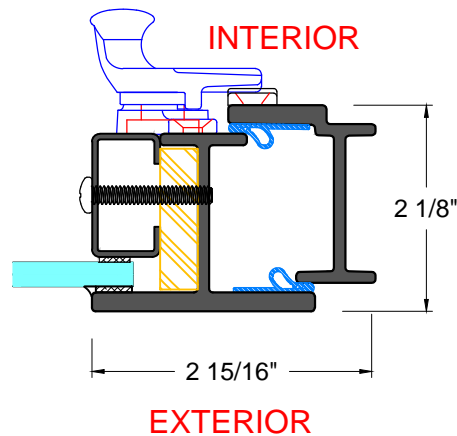
FR4700-OC SERIES

UL APPROVED AND CERTIFIED
SELF-CLOSING OUTSWING CASEMENT
3/4 HOUR FIRE RATED

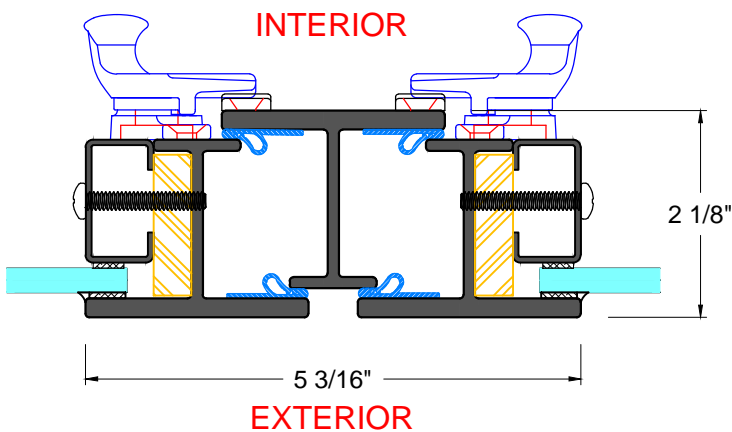
PAGE 3 OF 7



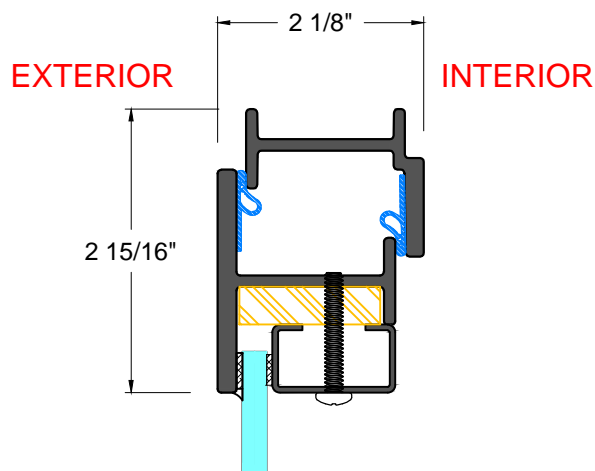
A&B TYPICAL HINGED JAMB



C TYPICAL LOCKING JAMB



D TYPICAL MEETING RAIL



E&F TYPICAL HEAD & SILL



28 Canal Street, Ellenville, NY 12428
Phone (845) 647-1900

FIRE

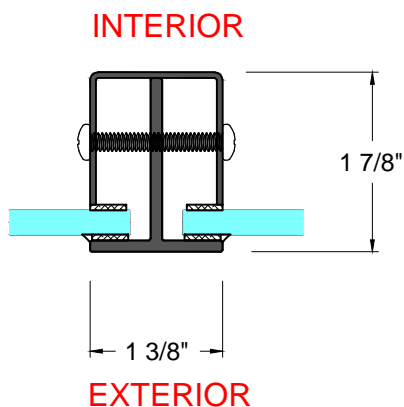
FR4700-OC SERIES

TYPICAL DETAILS

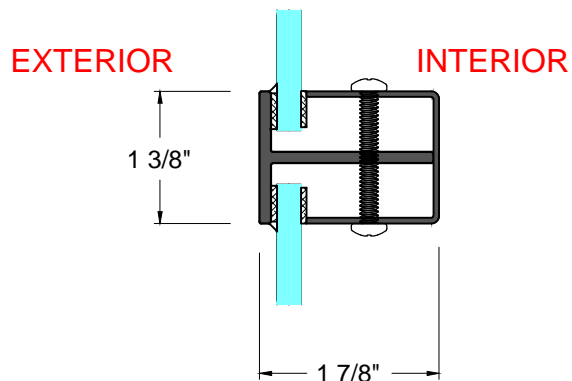
Scale: 1:2

UL APPROVED AND CERTIFIED
SELF-CLOSING OUTSWING CASEMENT
3/4 HOUR FIRE RATED

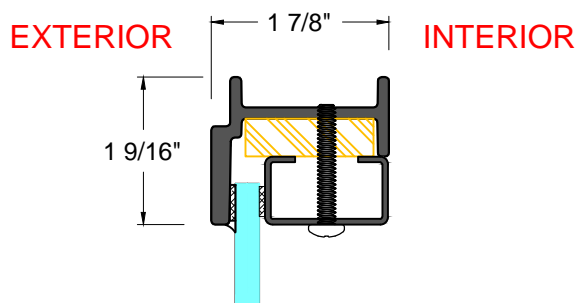
PAGE 4 OF 7



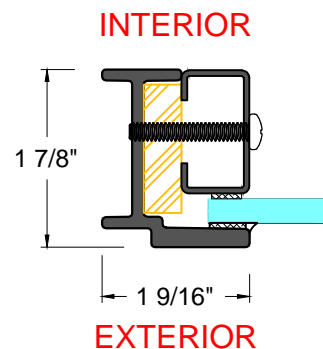
G TYPICAL VERTICAL MUNTIN



H TYPICAL HORIZONTAL MUNTIN



I&J TYPICAL FIXED HEAD & SILL



K&L TYPICAL FIXED JAMB



28 Canal Street, Ellenville, NY 12428
Phone (845) 647-1900

FIRE

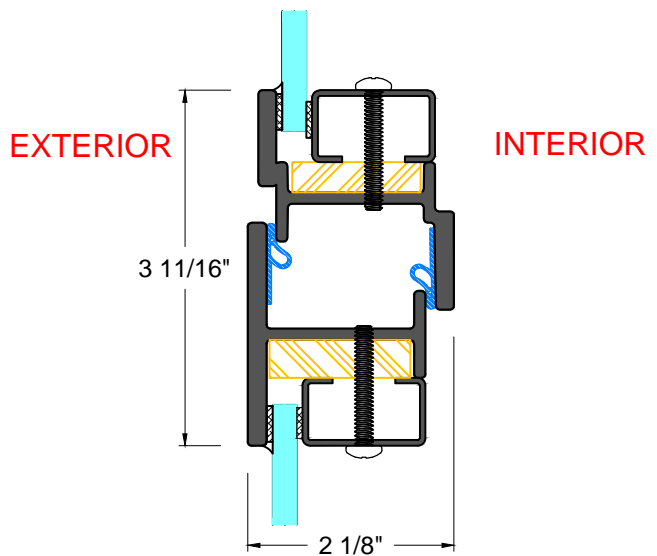
TYPICAL DETAILS

Scale: 1:2

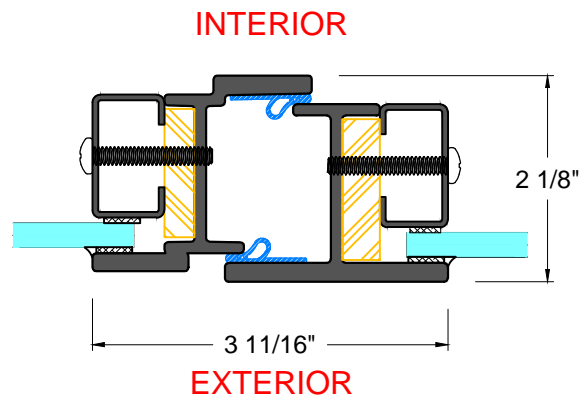
FR4700-OC SERIES

UL APPROVED AND CERTIFIED
SELF-CLOSING OUTSWING CASEMENT
3/4 HOUR FIRE RATED

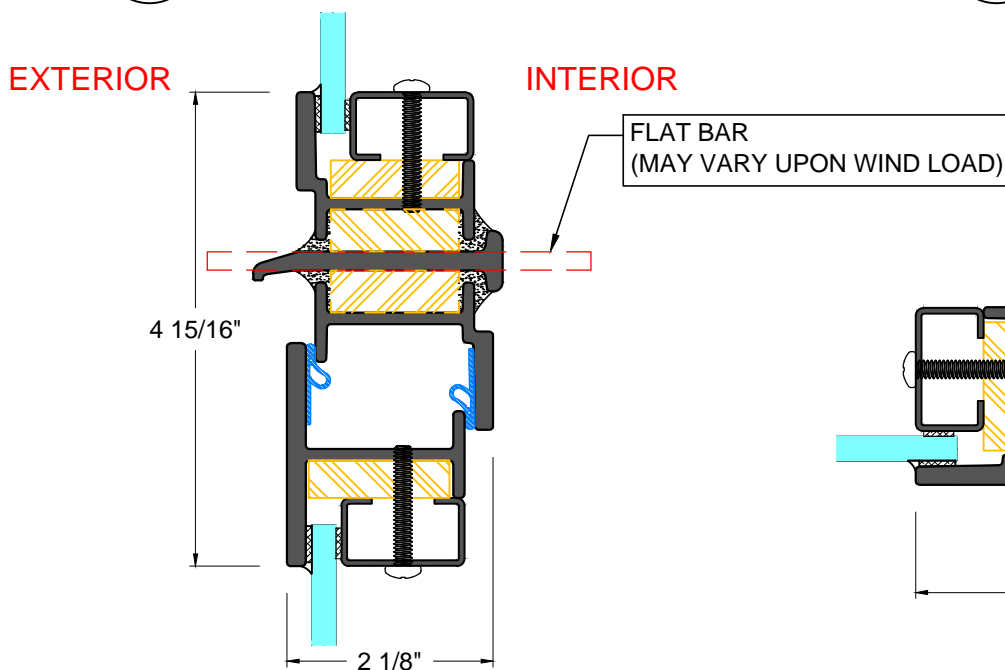
PAGE 5 OF 7



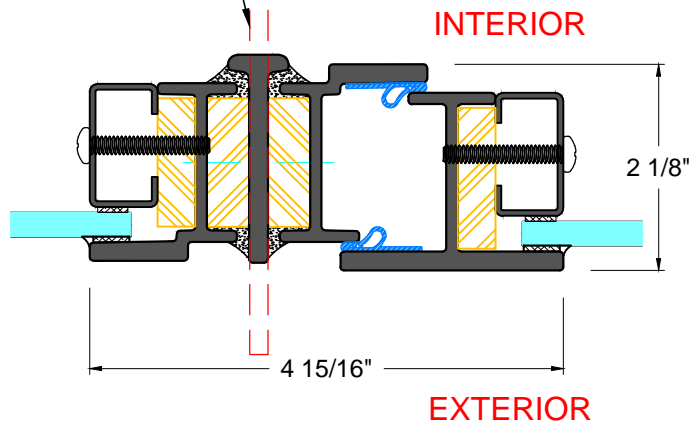
M TYPICAL HEAD
W/ TRANSOM



N TYPICAL JAMB
W/ SIDELITE



M TYPICAL STACKING
MULLION



N TYPICAL
JOINING MULLION



FIRE

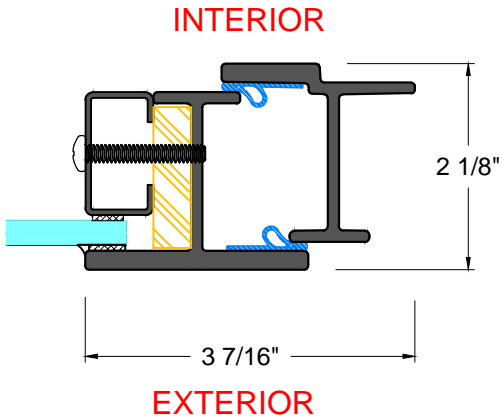
FR4700-OC SERIES

FRAME OPTIONS

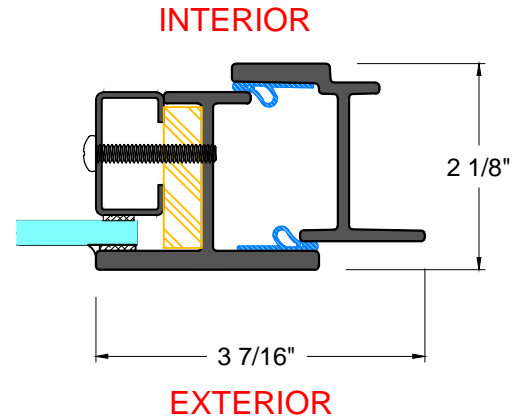
Scale: 1:2

UL APPROVED AND CERTIFIED
SELF-CLOSING OUTSWING CASEMENT
3/4 HOUR FIRE RATED

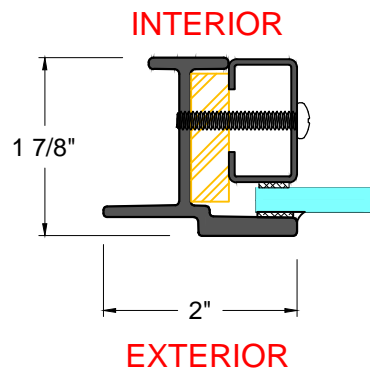
PAGE 6 OF 7



1 TYPICAL JAMB
INTERIOR FLANGE



2 TYPICAL JAMB
EXTERIOR FLANGE



3 TYPICAL FIXED
JAMB FLANGE



28 Canal Street, Ellenville, NY 12428
Phone (845) 647-1900

FIRE

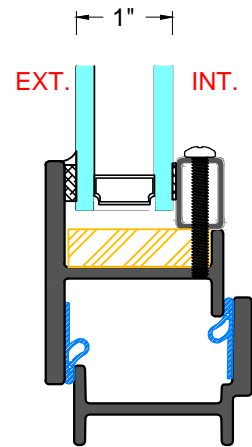
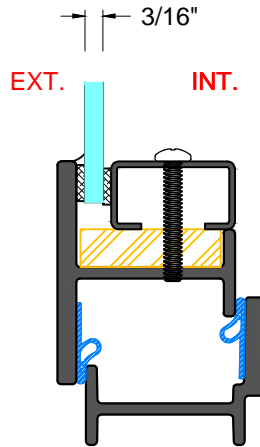
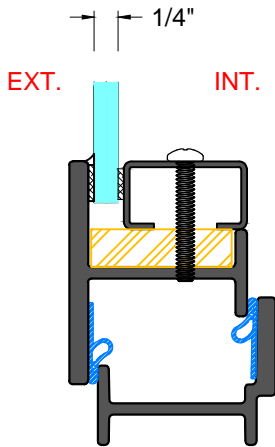
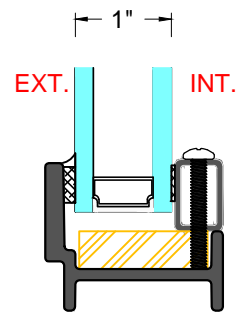
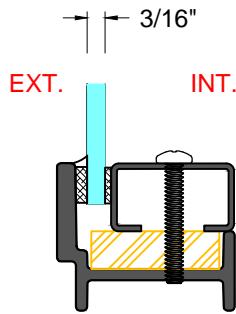
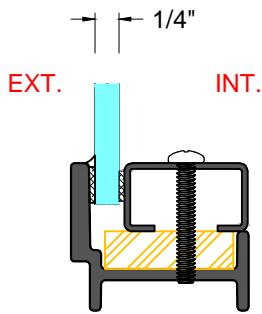
GLAZING OPTIONS

Scale: 1:2

FR4700-OC SERIES

UL APPROVED AND CERTIFIED
SELF-CLOSING OUTSWING CASEMENT
3/4 HOUR FIRE RATED

PAGE 7 OF 7



28 Canal Street, Ellenville, NY 12428
Phone (845) 647-1900