

FIRE

TYPICAL EXTERIOR ELEVATIONS

FR55-OD SERIES

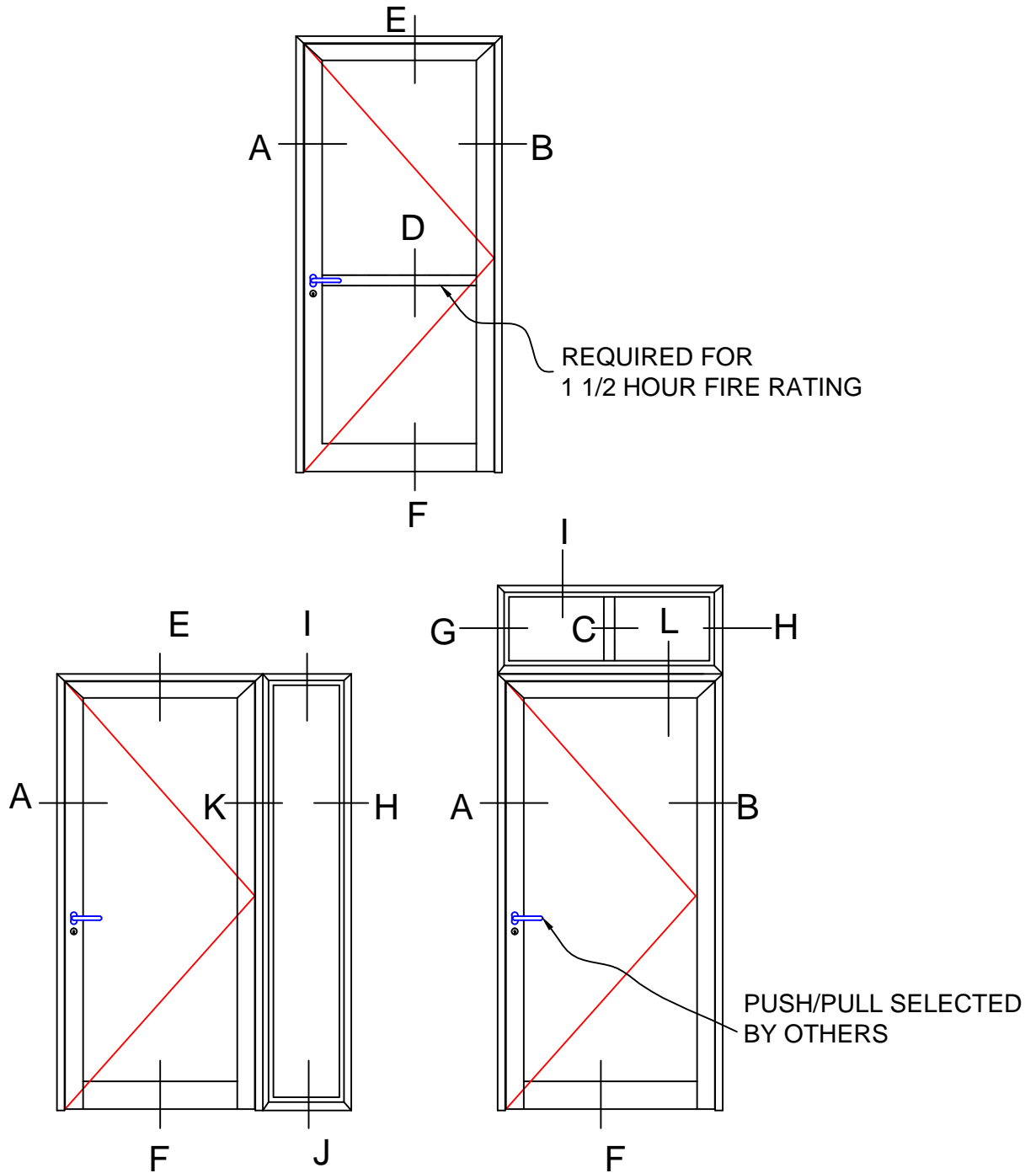
Scale: Not To Scale

UL APPROVED AND CERTIFIED
SELF-CLOSING OUTSWING DOOR

PAGE 1 OF 6

3/4 HOUR FIRE RATED WHEN GLAZED WITH 1/4" WIRE GLASS

1 1/2 HOUR FIRE RATED WHEN GLAZED WITH APPROPRIATE UL APPROVED GLAZING



28 Canal Street, Ellenville, NY 12428
Phone (845) 647-1900

FIRE

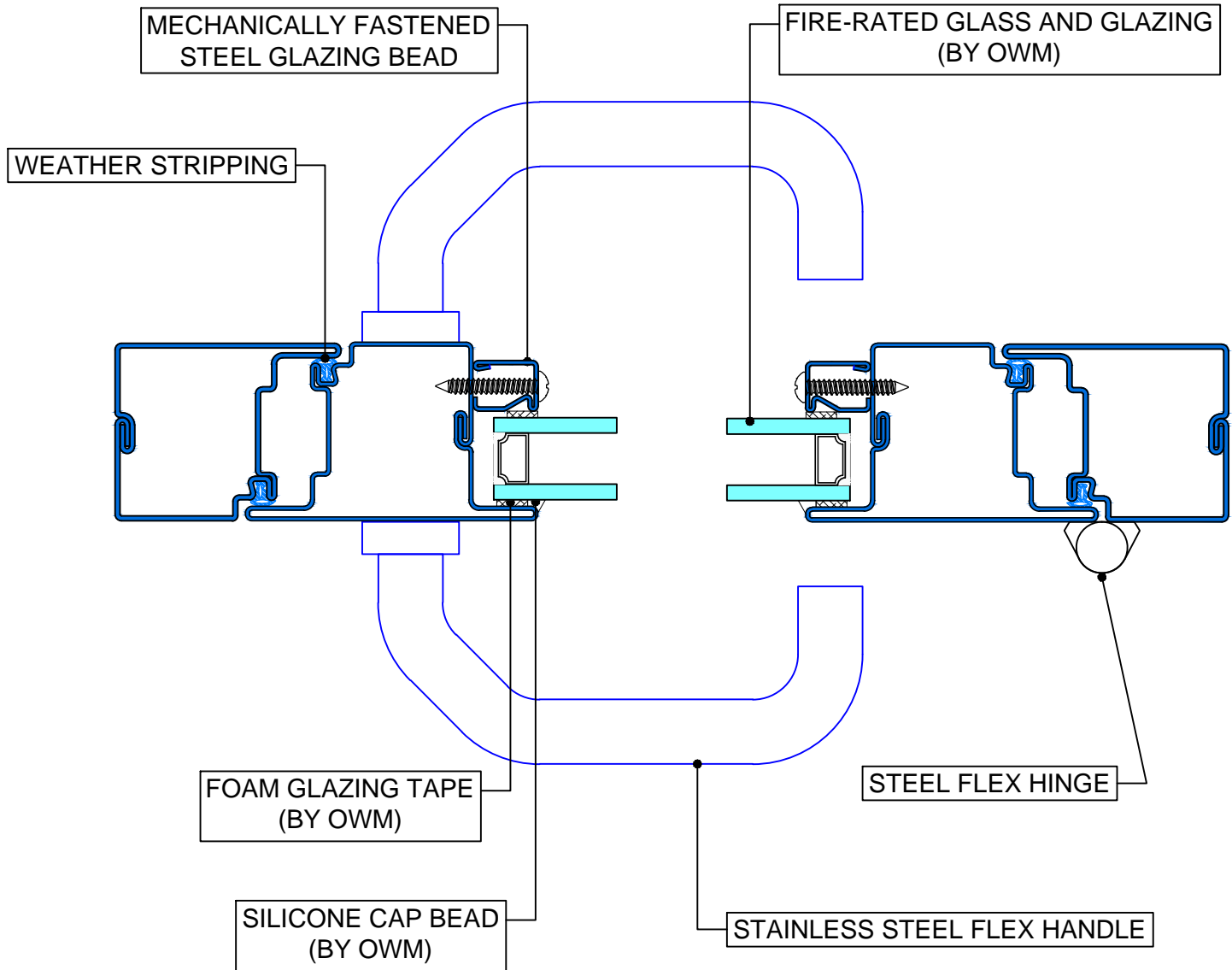
FR55-OD SERIES

KEY TYPICAL

Scale: 1:2

UL APPROVED AND CERTIFIED
SELF-CLOSING OUT SWING DOOR

PAGE 2 OF 6



28 Canal Street, Ellenville, NY 12428
Phone (845) 647-1900

FIRE

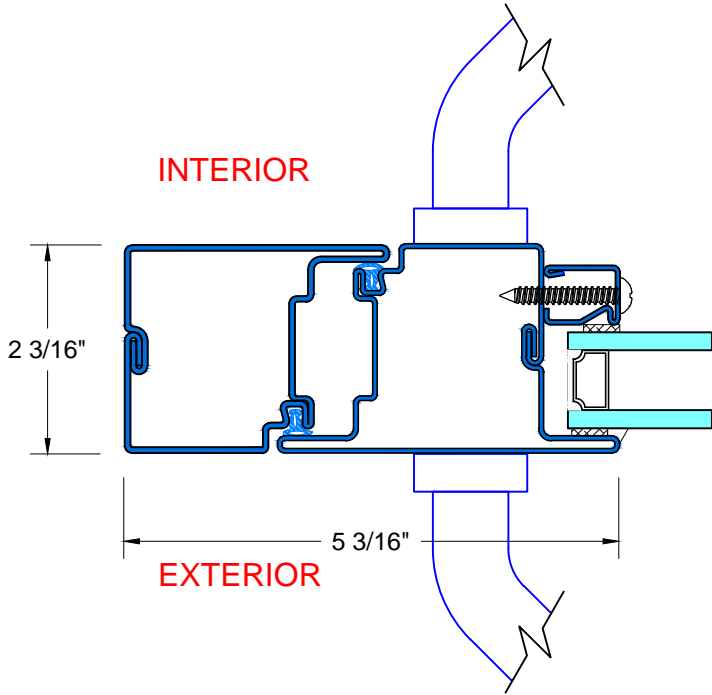
TYPICAL DETAILS

Scale: 1:2

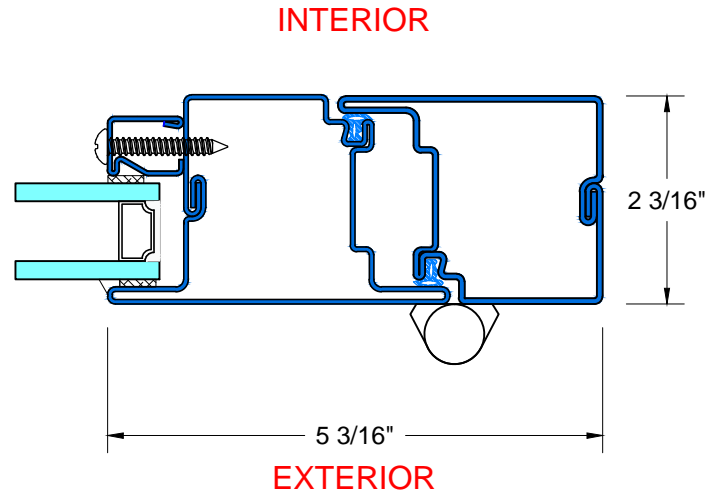
FR55-OD SERIES

UL APPROVED AND CERTIFIED
SELF-CLOSING OUT SWING DOOR

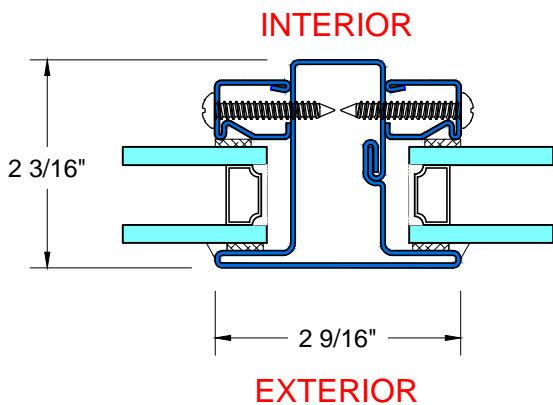
PAGE 3 OF 6



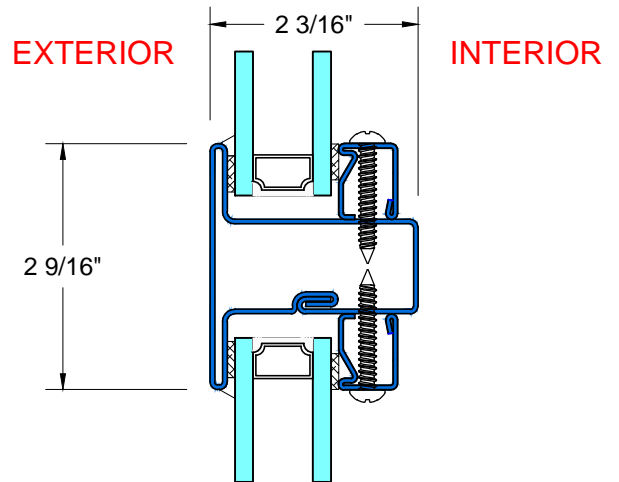
A TYPICAL LOCKING JAMB



B TYPICAL HINGED JAMB



C TYPICAL MUNTIN



D TYPICAL MUNTIN



FIRE

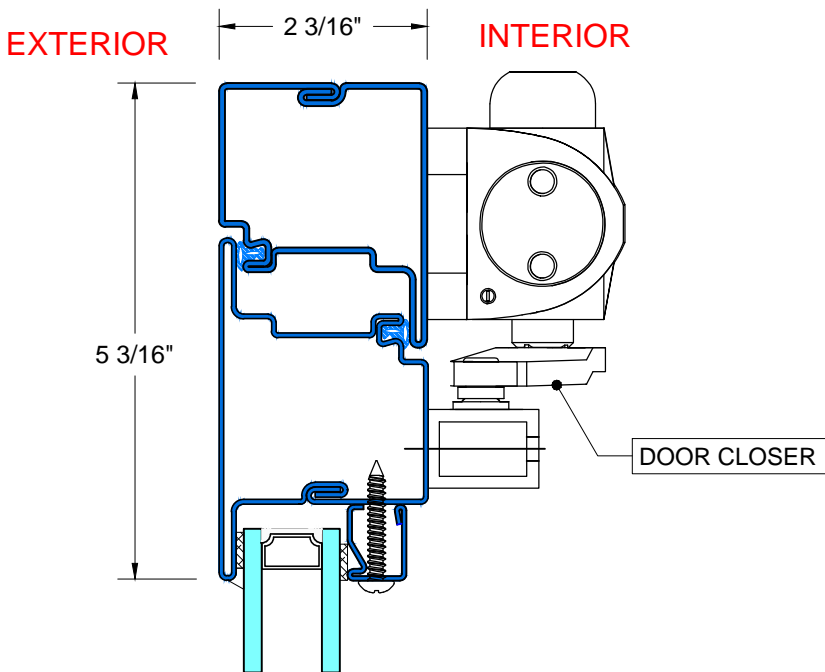
FR55-OD SERIES

TYPICAL DETAILS

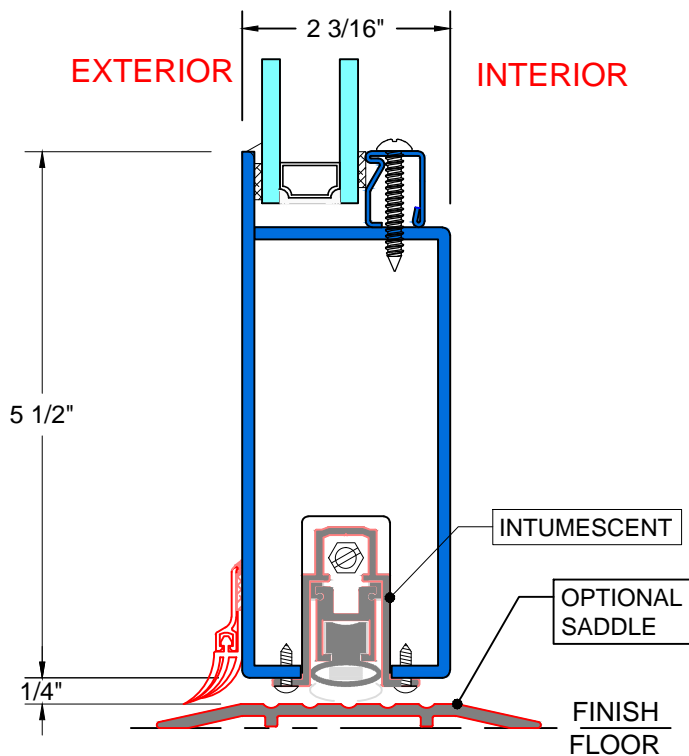
Scale: 1:2

UL APPROVED AND CERTIFIED
SELF-CLOSING OUT SWING DOOR

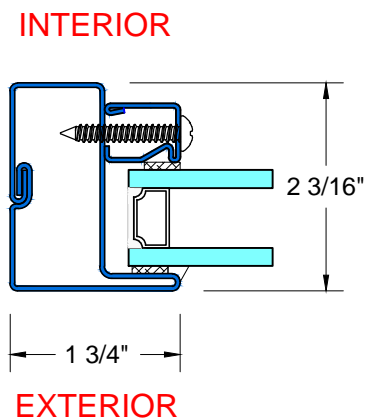
PAGE 4 OF 6



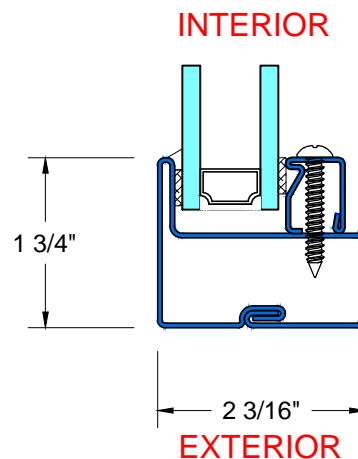
E TYPICAL HEAD
W/ DOOR CLOSURE



F TYPICAL
KICKPLATE



G&H TYPICAL
FIXED JAMB



I&J TYPICAL FIXED
HEAD & SILL



FIRE

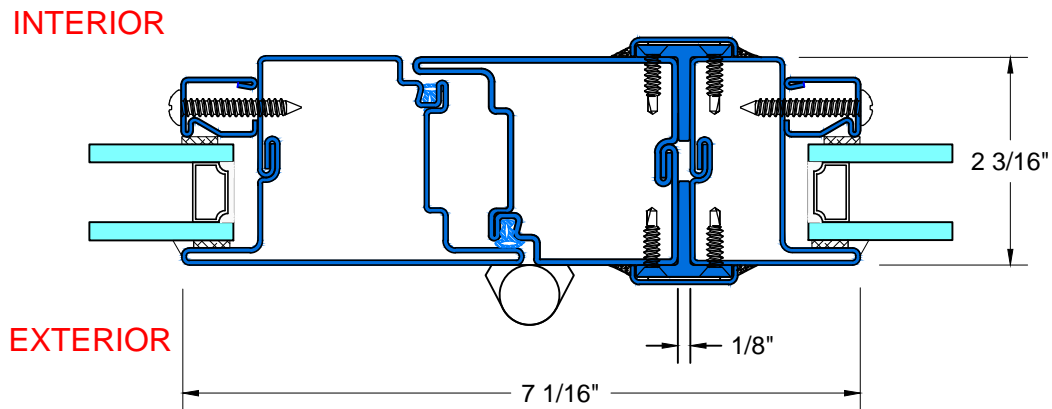
TYPICAL DETAILS

Scale: 1:2

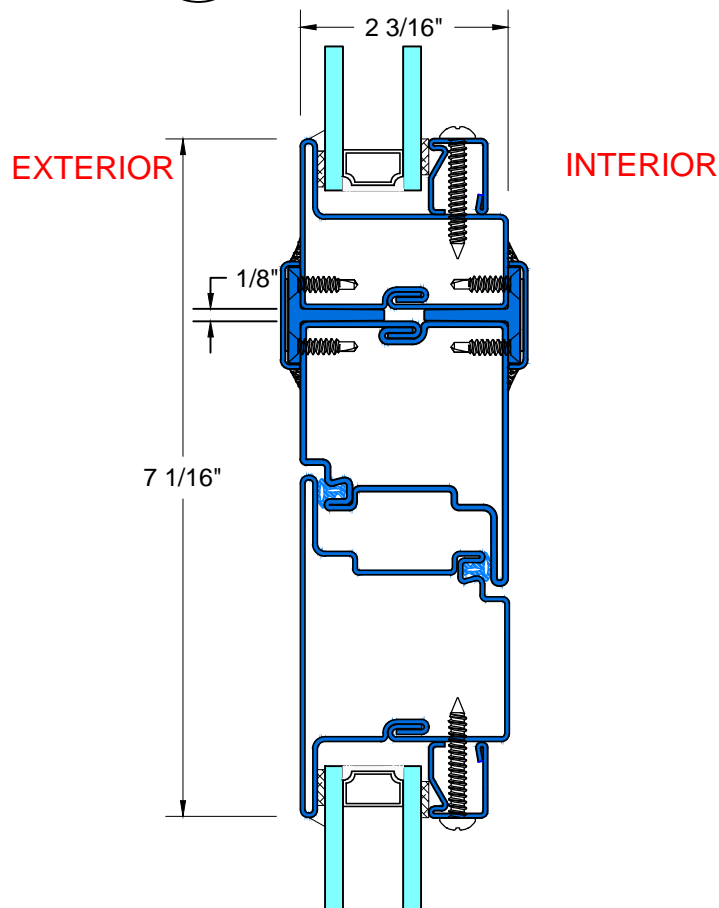
FR55-OD SERIES

UL APPROVED AND CERTIFIED
SELF-CLOSING OUT SWING DOOR

PAGE 5 OF 6



K TYPICAL JOINING
SIDELITE/DOOR



L TYPICAL STACKING
TRANSOM/DOOR



28 Canal Street, Ellenville, NY 12428
Phone (845) 647-1900

FIRE

GLAZING OPTIONS

Scale: 1:2

FR55-OD SERIES

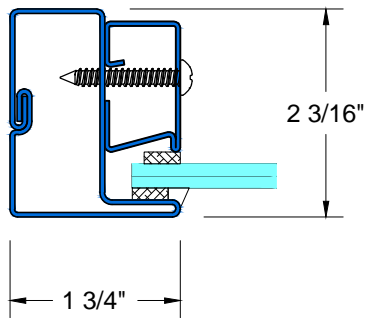
PAGE 6 OF 6

UL APPROVED AND CERTIFIED
SELF-CLOSING OUTSWING DOOR

3/4 HOUR FIRE RATED WHEN GLAZED WITH 1/4" WIRE GLASS

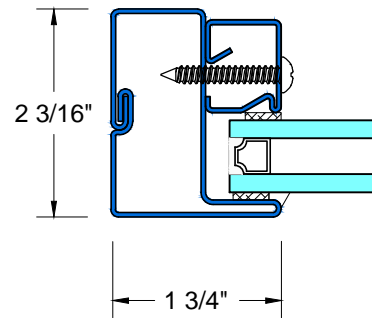
1 1/2 HOUR FIRE RATED WHEN GLAZED WITH APPROPRIATE UL APPROVED GLAZING

INTERIOR



EXTERIOR

INTERIOR

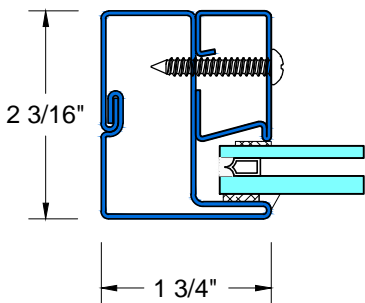


EXTERIOR

1 1/4" FIRE RATED GLASS

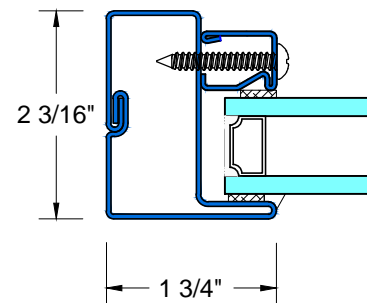
2 1/2" FIRE RATED GLASS

INTERIOR



EXTERIOR

INTERIOR



EXTERIOR

3 3/4" FIRE RATED GLASS

4 1" FIRE RATED GLASS



28 Canal Street, Ellenville, NY 12428
Phone (845) 647-1900