

# FIRE

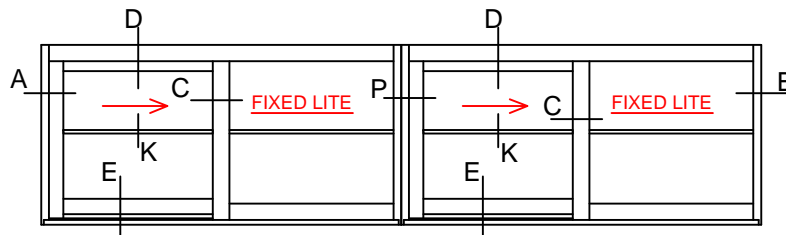
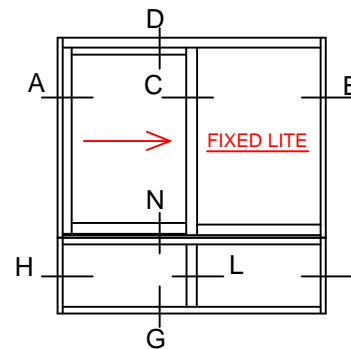
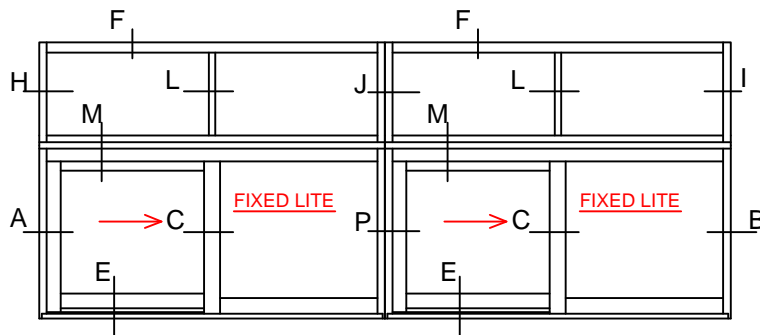
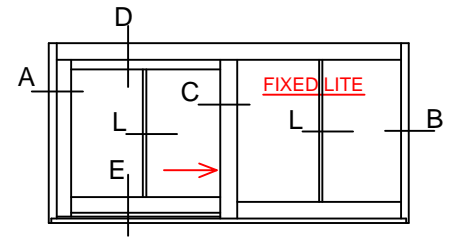
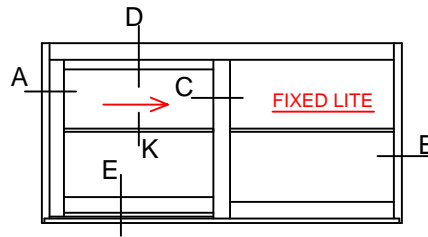
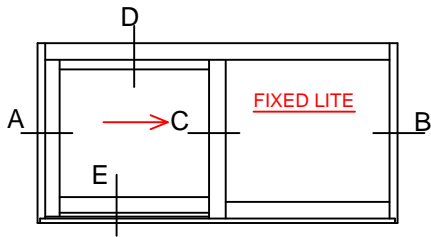
## TYPICAL EXTERIOR ELEVATIONS

# 7600 TSS<sub>SERIES</sub>

Scale: Not To Scale

UL APPROVED AND CERTIFIED  
SELF-CLOSING SINGLE SLIDER  
3/4 HOUR FIRE RATED

PAGE 1 OF 7



28 Canal Street, Ellenville, NY 12428  
Phone (845) 647-1900

# FIRE

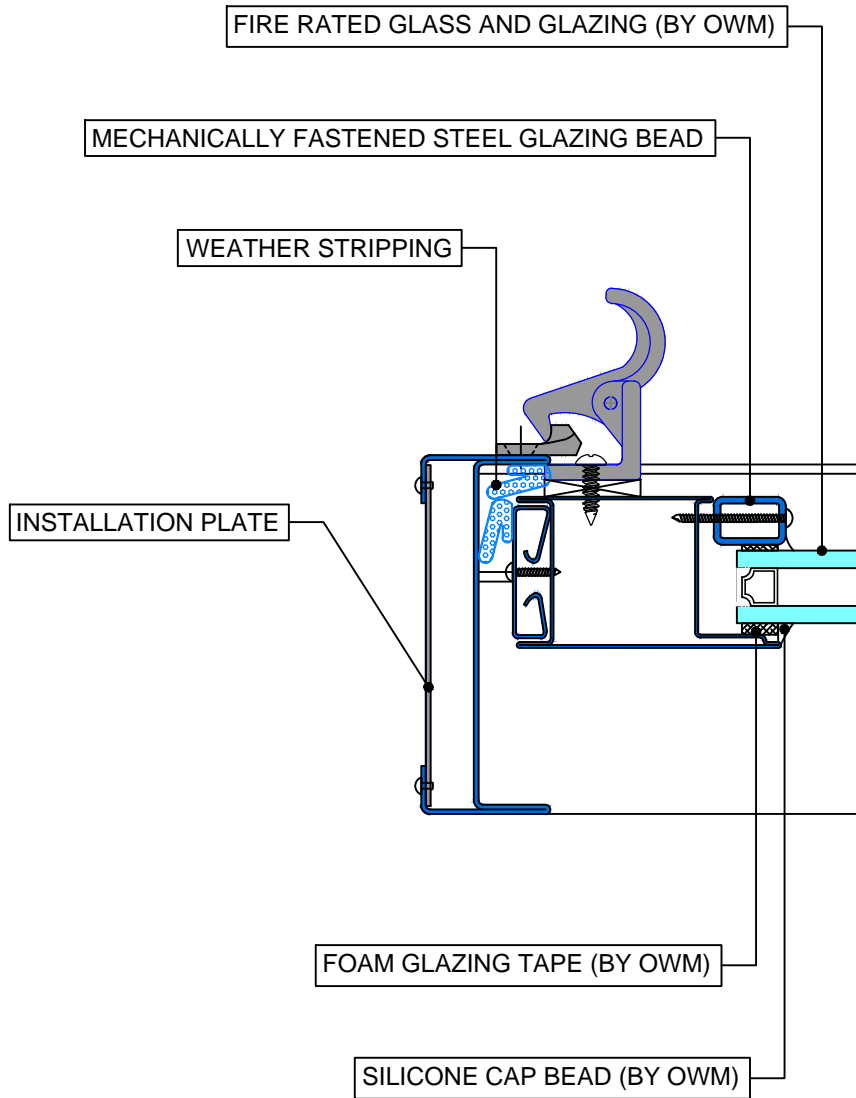
# 7600 TSS<sub>SERIES</sub>

## KEY TYPICAL

Scale: 1:2

UL APPROVED AND CERTIFIED  
SELF-CLOSING SINGLE SLIDER  
3/4 HOUR FIRE RATED

PAGE 2 OF 7



28 Canal Street, Ellenville, NY 12428  
Phone (845) 647-1900

# FIRE

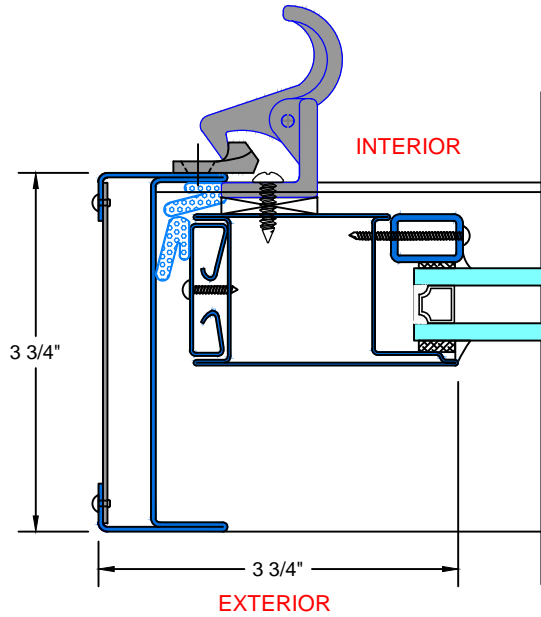
## TYPICAL DETAILS

Scale: 1:2

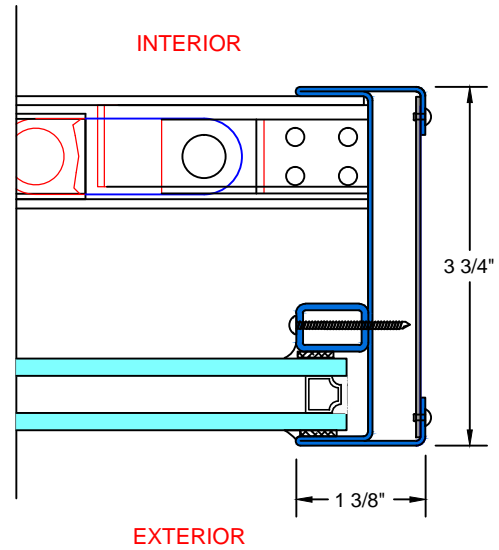
# 7600 TSS SERIES

PAGE 3 OF 7

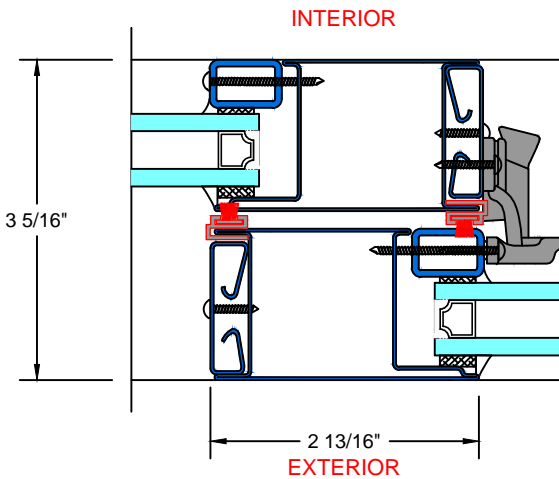
UL APPROVED AND CERTIFIED  
SELF-CLOSING SINGLE SLIDER  
3/4 HOUR FIRE RATED



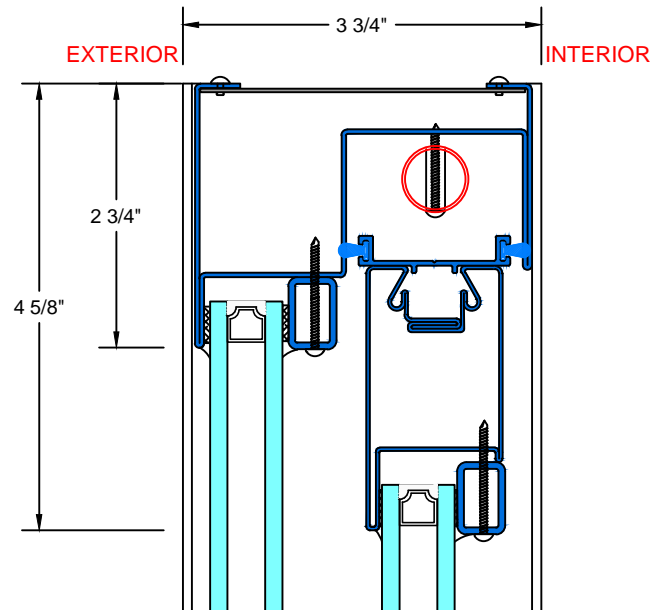
**A** TYPICAL LEFT JAMB



**B** TYPICAL RIGHT JAMB



**C** TYPICAL MEETING RAIL



**D** TYPICAL HEAD



28 Canal Street, Ellenville, NY 12428  
Phone (845) 647-1900

# FIRE

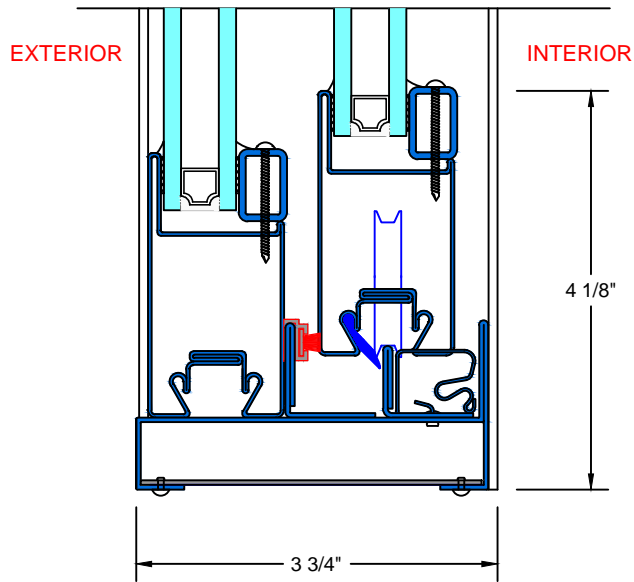
## TYPICAL DETAILS

Scale: 1:2

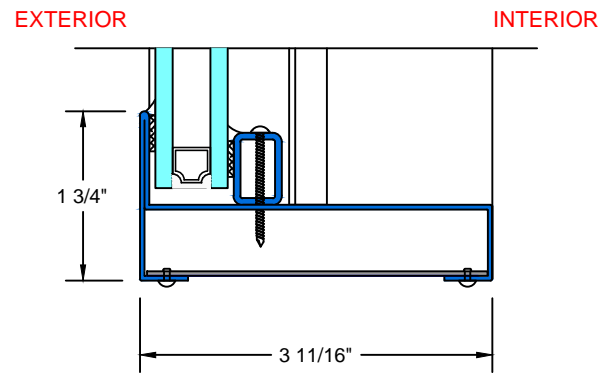
# 7600 TSS<sub>SERIES</sub>

UL APPROVED AND CERTIFIED  
SELF-CLOSING SINGLE SLIDER  
3/4 HOUR FIRE RATED

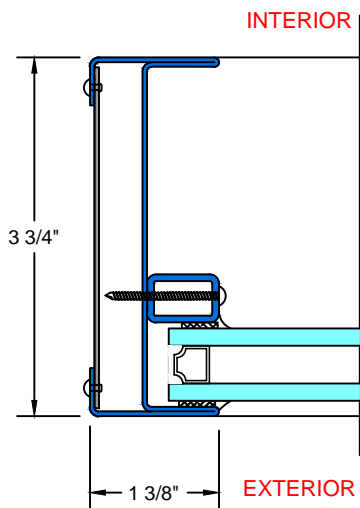
PAGE 4 OF 7



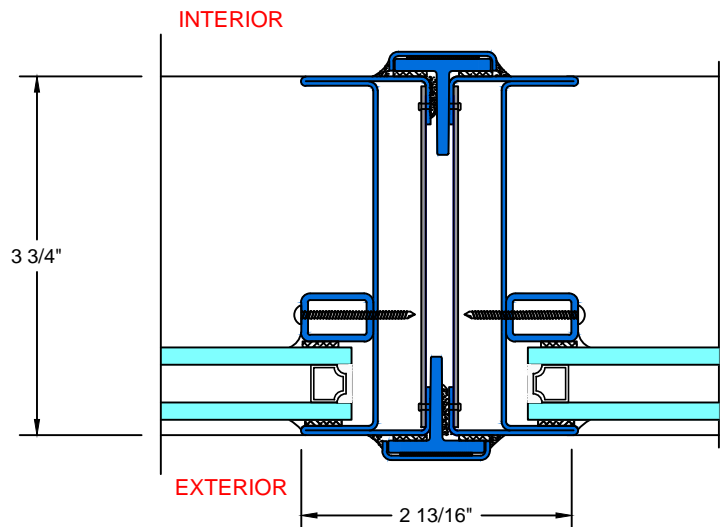
**E** TYPICAL SILL



**F&G** TYPICAL TRANSOM HEAD & SILL



**H&I** TYPICAL TRANSOM JAMB



**J** TYPICAL JOINING MULLION



28 Canal Street, Ellenville, NY 12428  
Phone (845) 647-1900

# FIRE

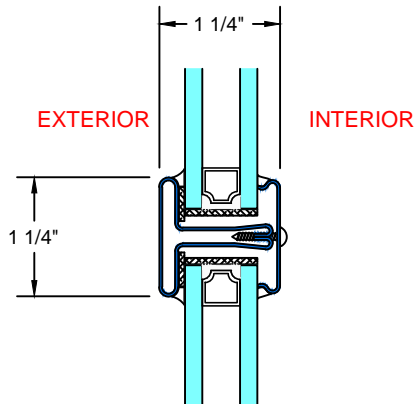
## TYPICAL DETAILS

Scale: 1:2

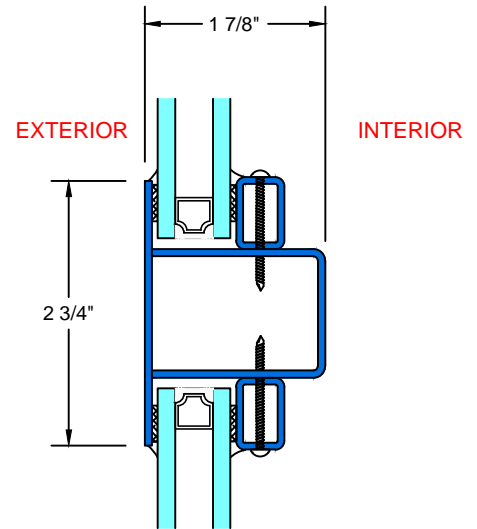
# 7600 TSS<sub>SERIES</sub>

UL APPROVED AND CERTIFIED  
SELF-CLOSING SINGLE SLIDER  
3/4 HOUR FIRE RATED

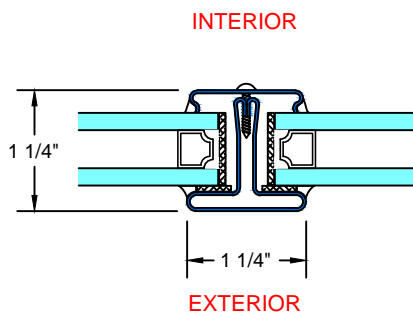
PAGE 5 OF 7



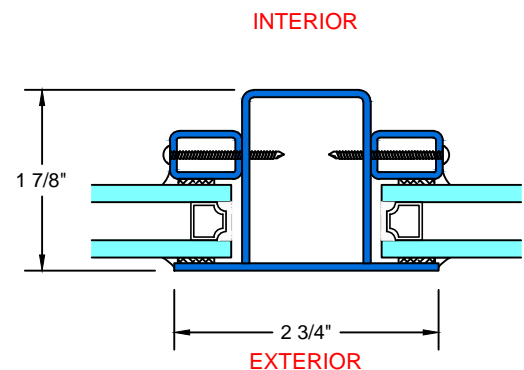
**K** TYPICAL HORIZONTAL MUNTIN



**K** TYPICAL HORIZONTAL MUNTIN



**L** TYPICAL VERTICAL MUNTIN



**L** TYPICAL VERTICAL MUNTIN



28 Canal Street, Ellenville, NY 12428  
Phone (845) 647-1900

# FIRE

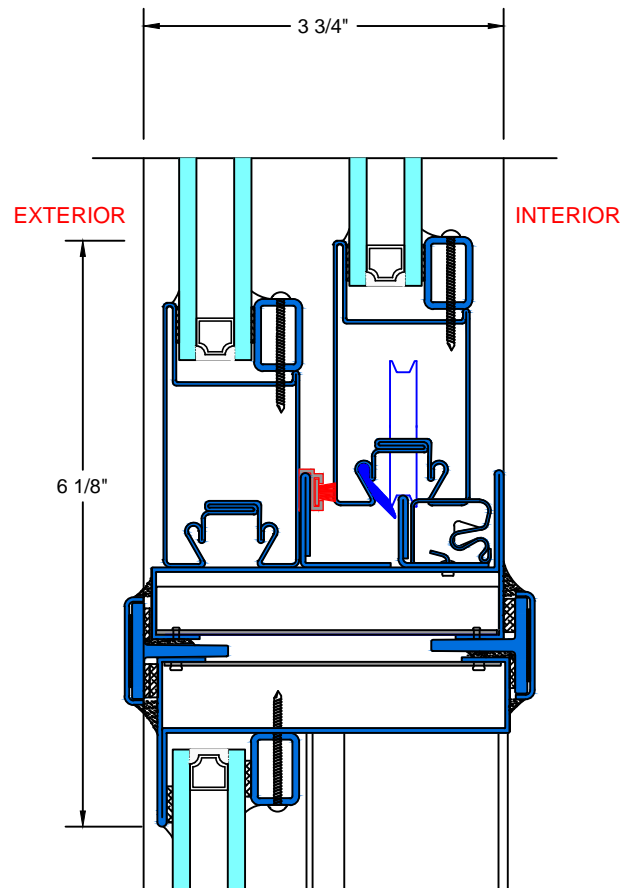
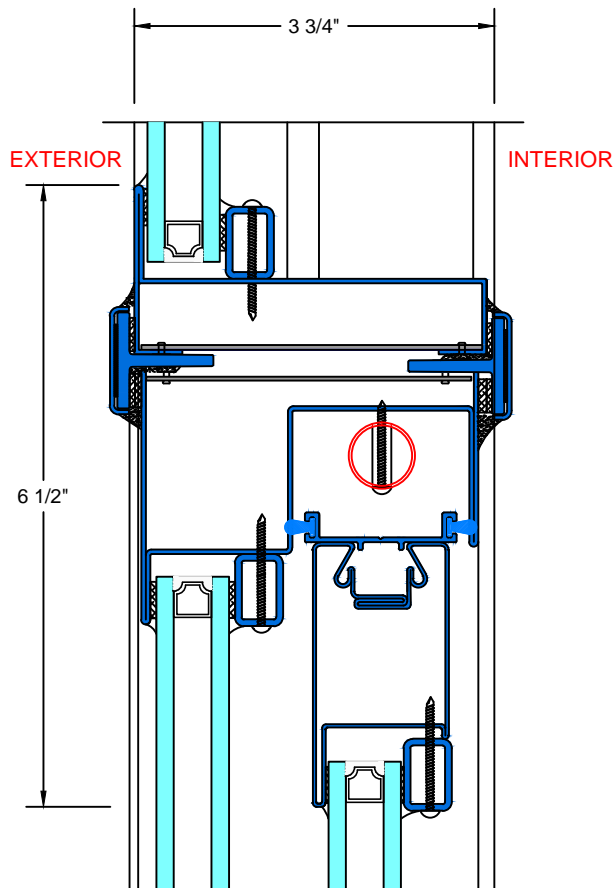
## TYPICAL DETAILS

Scale: 1:2

# 7600 TSS<sub>SERIES</sub>

UL APPROVED AND CERTIFIED  
SELF-CLOSING SINGLE SLIDER  
3/4 HOUR FIRE RATED

PAGE 6 OF 7



**M** TYPICAL STACKING MULLION  
W/ TRANSOM ABOVE

**N** TYPICAL STACKING MULLION  
W/ TRANSOM BELOW



28 Canal Street, Ellenville, NY 12428  
Phone (845) 647-1900

# FIRE

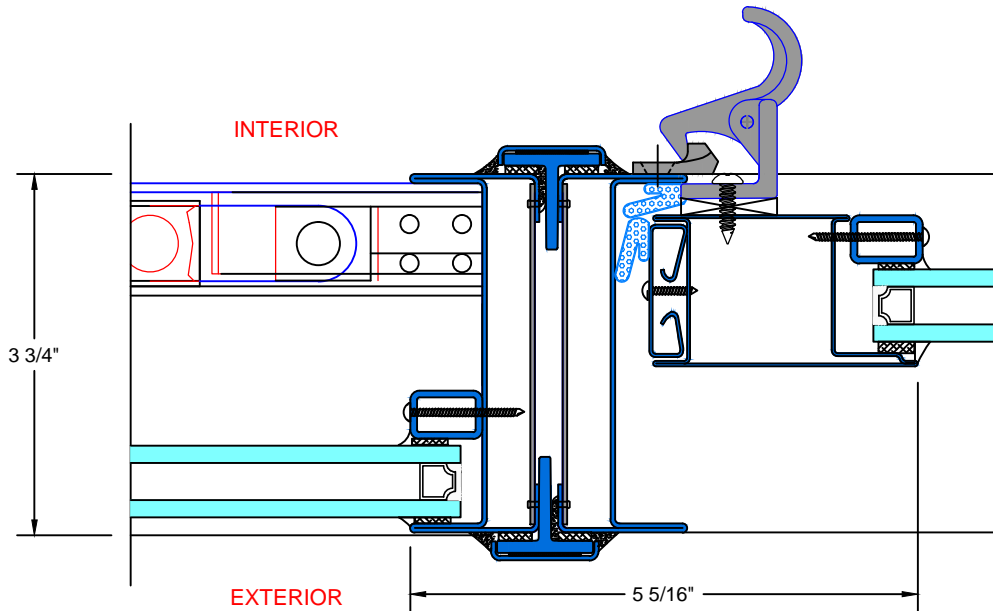
## TYPICAL DETAILS

Scale: 1:2

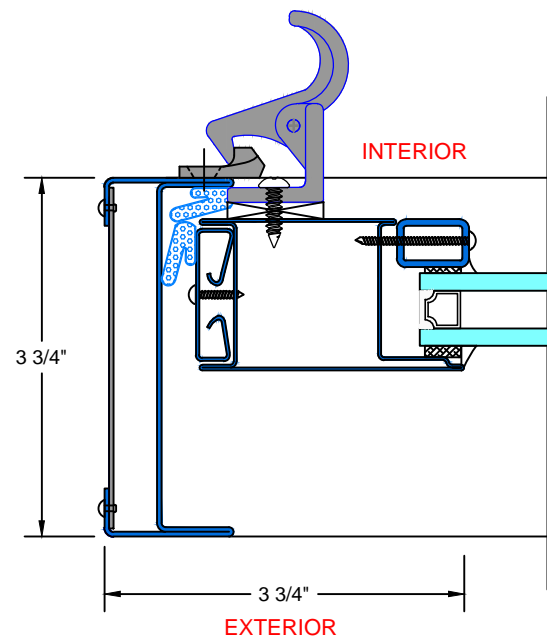
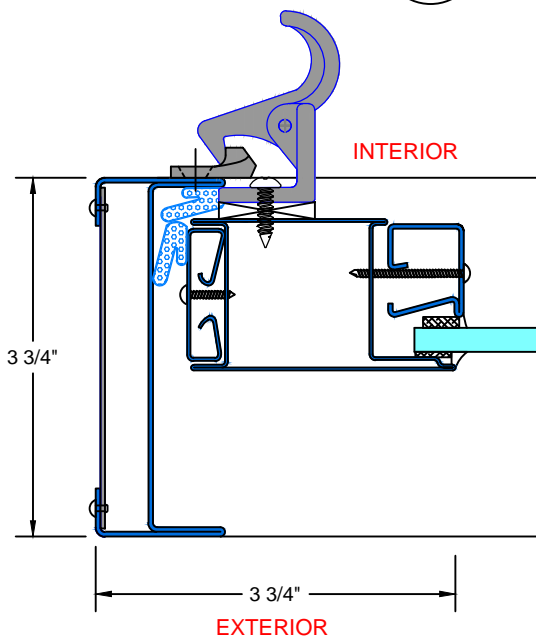
# 7600 TSS<sub>SERIES</sub>

UL APPROVED AND CERTIFIED  
SELF-CLOSING SINGLE SLIDER  
3/4 HOUR FIRE RATED

PAGE 7 OF 7



### P TYPICAL JOINING MULLION



### 1 TYPICAL LEFT JAMB W/ 1/4" GLASS

### 2 TYPICAL LEFT JAMB W/ 3/4" GLASS



28 Canal Street, Ellenville, NY 12428  
Phone (845) 647-1900