

FIRE

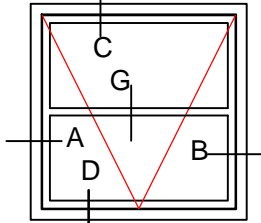
TYPICAL EXTERIOR ELEVATIONS

FR8600-PI SERIES

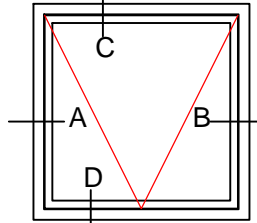
Scale: Not To Scale

UL APPROVED AND CERTIFIED
PROJECT IN
3/4 HOUR FIRE RATED

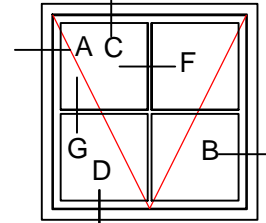
PAGE 1 OF 8



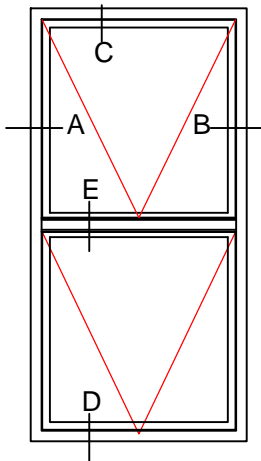
8621-PI



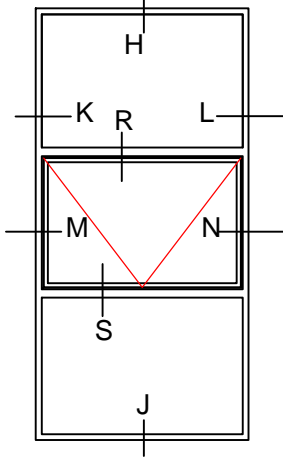
8612-PI



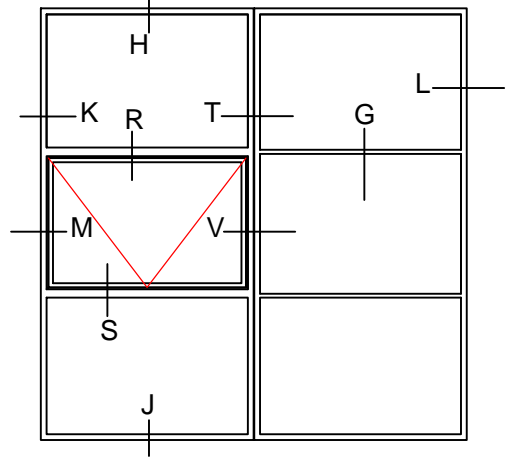
8622-PI



8612-PI/PI

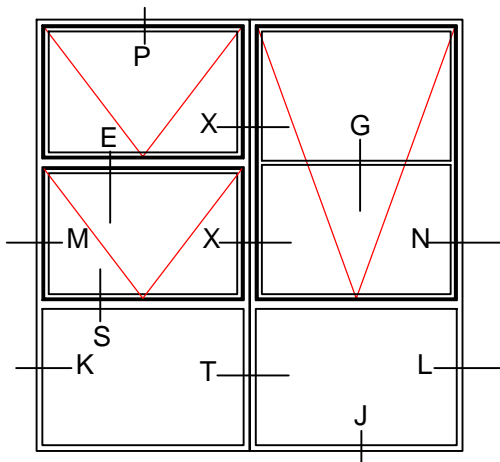


8613-FX/PI/FX



8612-PI-FX

8613-FX



8612-PI-FX

8612-PI-FX

*WINDOWS WITH A WIDTH OVER 34"
WILL RECEIVE 2 HANDLES
AND 2 KEEPERS

*WINDOWS WITH A WIDTH UNDER 34"
WILL RECEIVE 1 HANDLES
AND 1 KEEPER

*ALL UNITS RESTRICTED TO OPEN 4"



28 Canal Street, Ellenville, NY 12428
Phone (845) 647-1900

FIRE

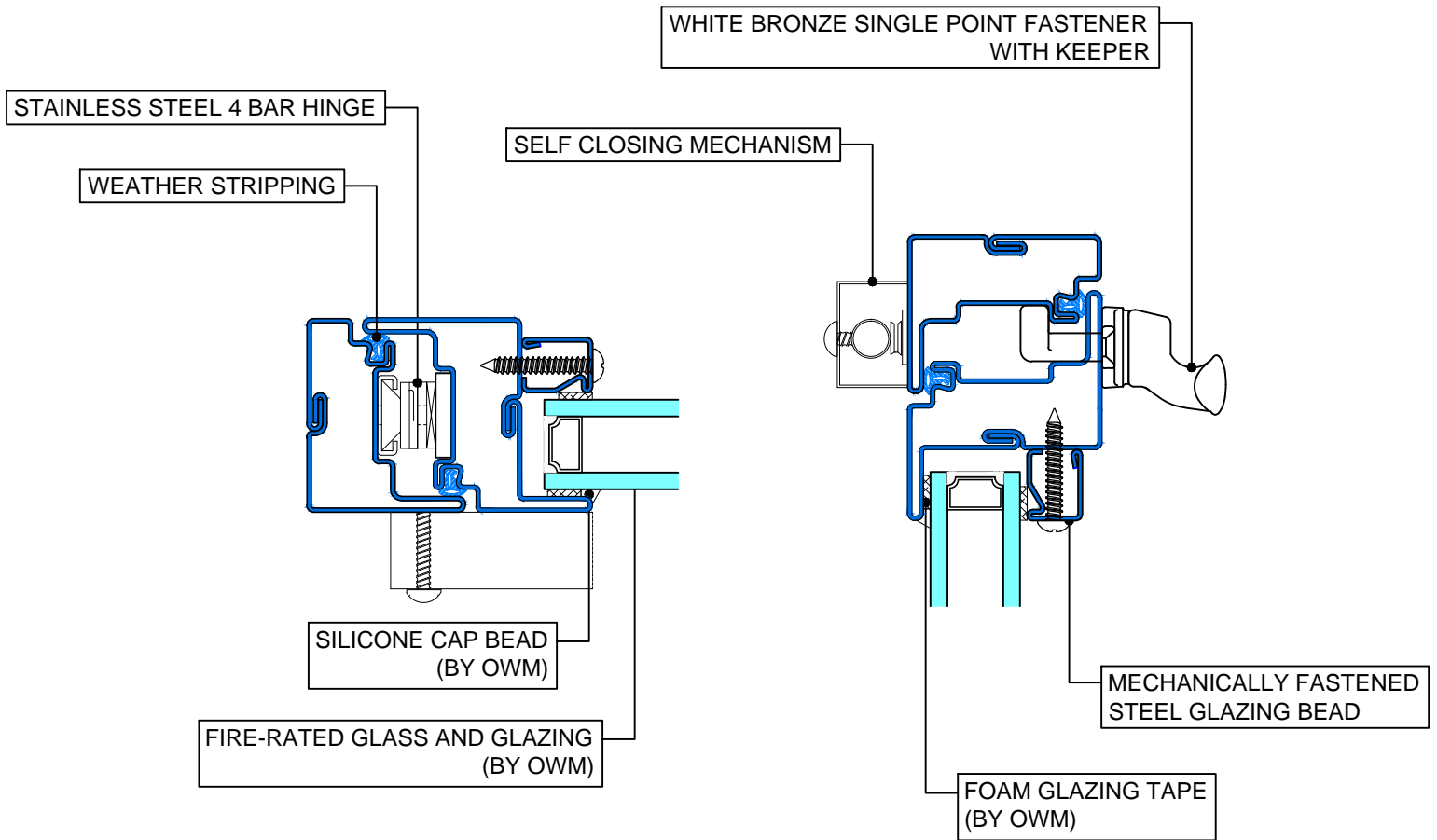
FR8600-PI SERIES

KEY TYPICAL

Scale: 1:2

UL APPROVED AND CERTIFIED
PROJECT IN
3/4 HOUR FIRE RATED

PAGE 2 OF 8



28 Canal Street, Ellenville, NY 12428
Phone (845) 647-1900

FIRE

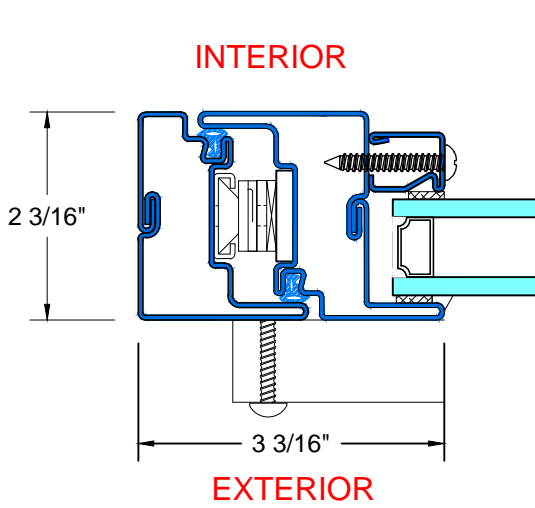
TYPICAL DETAILS

Scale: 1:2

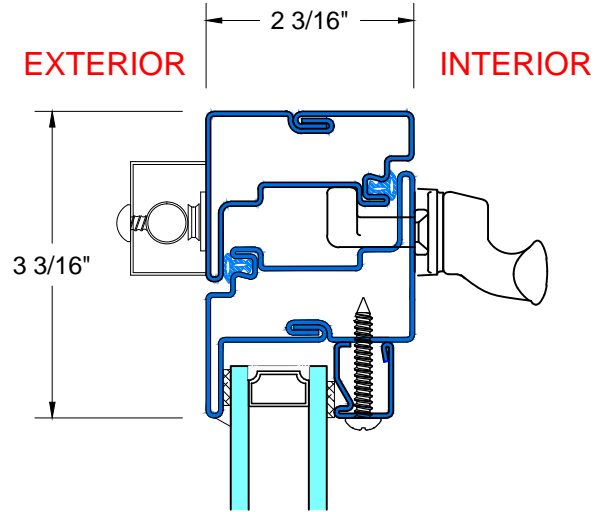
FR8600-PI SERIES

UL APPROVED AND CERTIFIED
PROJECT IN
3/4 HOUR FIRE RATED

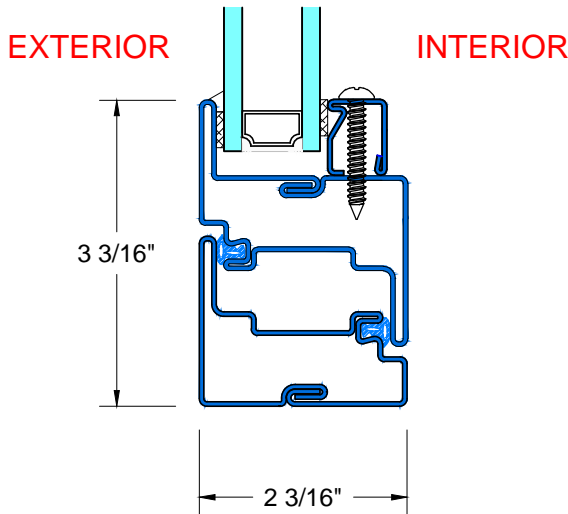
PAGE 3 OF 8



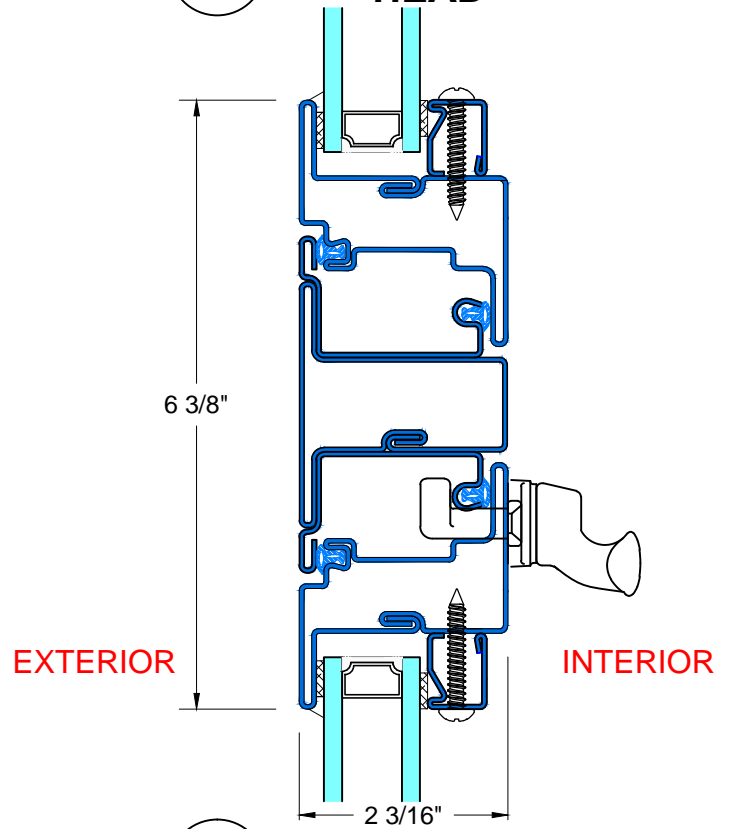
A&B TYPICAL HINGED JAMB



C TYPICAL HEAD



D TYPICAL SILL



E TYPICAL STACKING JOINT



28 Canal Street, Ellenville, NY 12428
Phone (845) 647-1900

FIRE

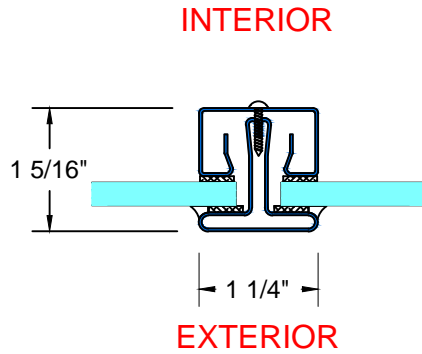
TYPICAL DETAILS

Scale: 1:2

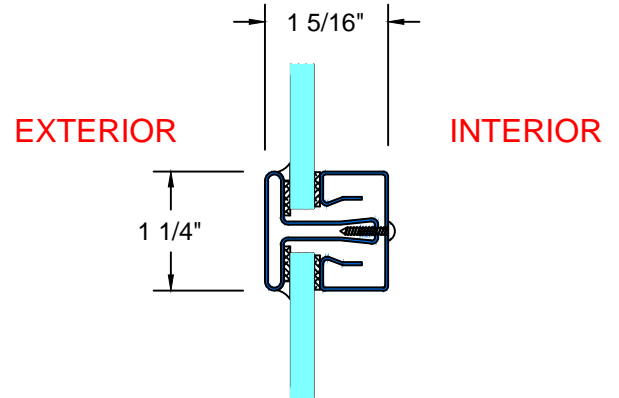
FR8600-PI SERIES

UL APPROVED AND CERTIFIED
PROJECT IN
3/4 HOUR FIRE RATED

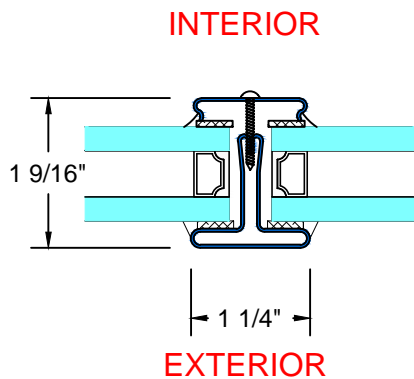
PAGE 4 OF 8



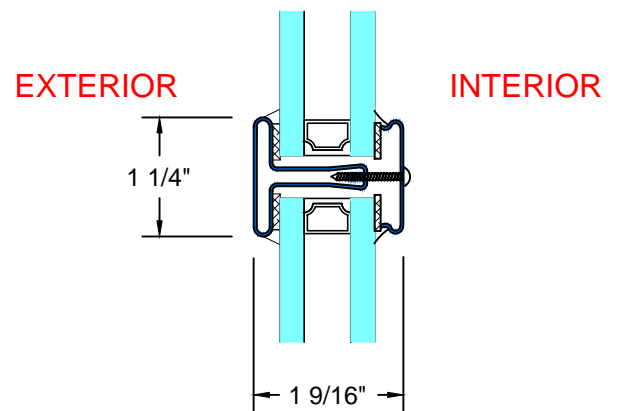
F TYPICAL VERTICAL MUNTIN W/ 1/4" GLASS



G TYPICAL HORIZONTAL MUNTIN W/ 1/4" GLASS



F TYPICAL VERTICAL MUNTIN W/ 1" GLASS



G TYPICAL HORIZONTAL MUNTIN W/ 1" GLASS



28 Canal Street, Ellenville, NY 12428
Phone (845) 647-1900

FIRE

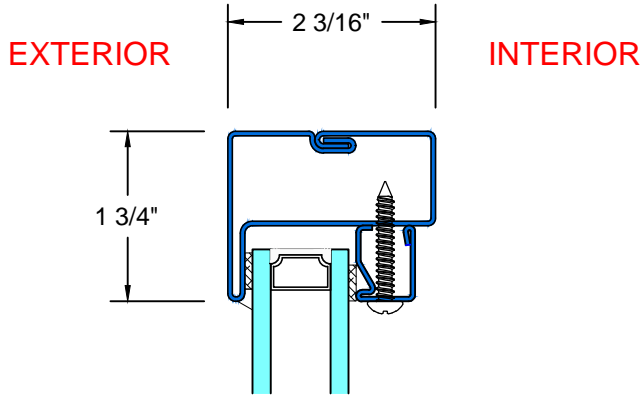
FR8600-PI SERIES

TYPICAL DETAILS

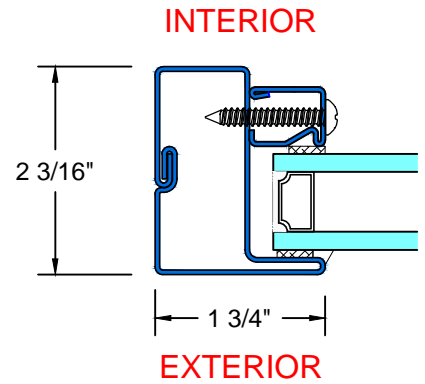
Scale: 1:2

UL APPROVED AND CERTIFIED
PROJECT IN
3/4 HOUR FIRE RATED

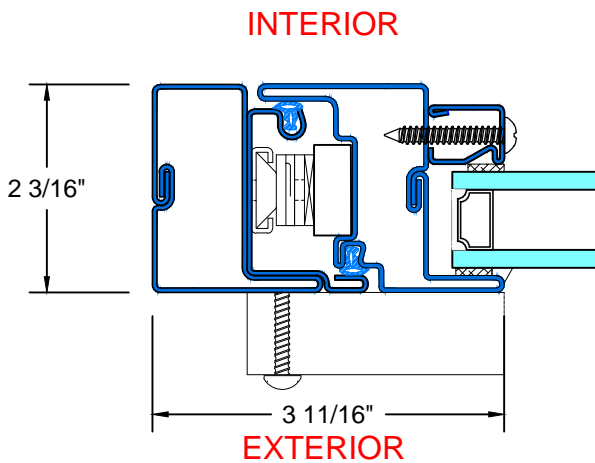
PAGE 5 OF 8



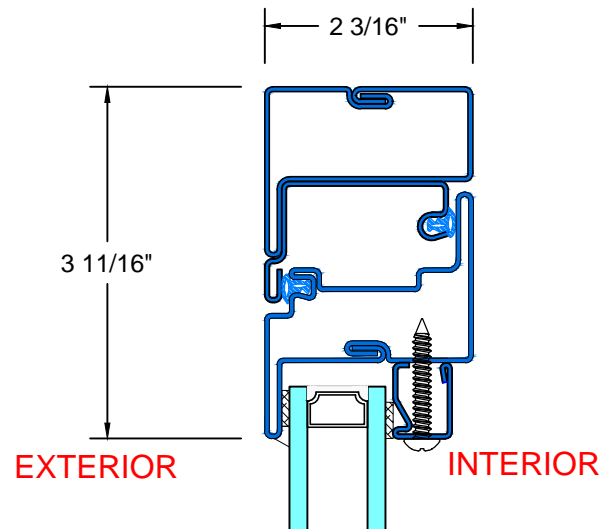
H&J TYPICAL FIXED
HEAD & SILL



K&L TYPICAL FIXED
JAMB



M&N TYPICAL STACKING
JAMB



P TYPICAL STACKING
HEAD



28 Canal Street, Ellenville, NY 12428
Phone (845) 647-1900

FIRE

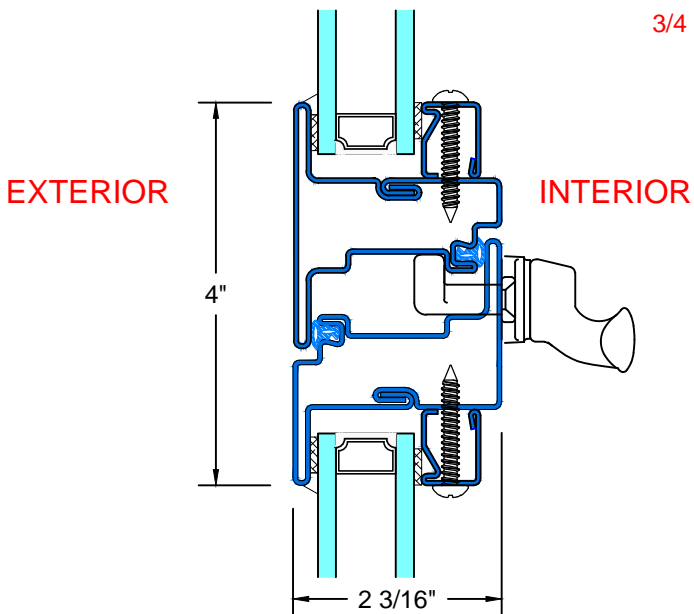
FR8600-PI SERIES

TYPICAL DETAILS

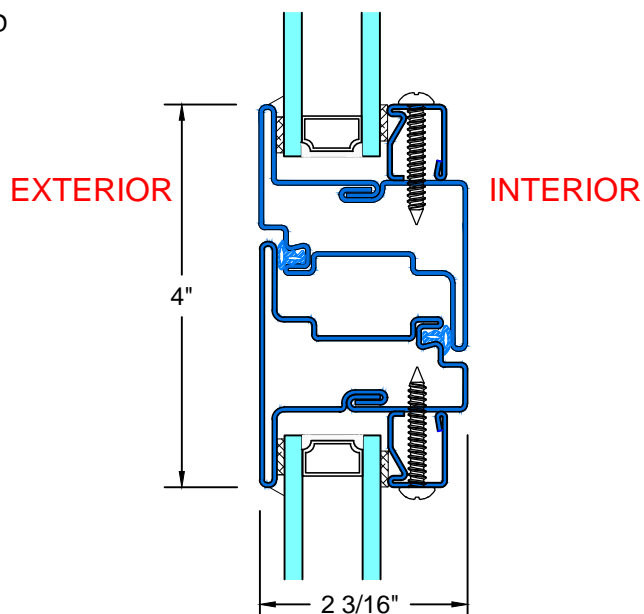
Scale: 1:2

UL APPROVED AND CERTIFIED
PROJECT IN
3/4 HOUR FIRE RATED

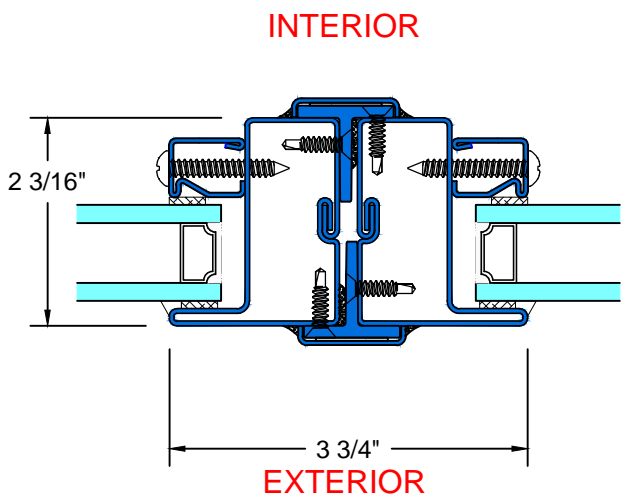
PAGE 6 OF 8



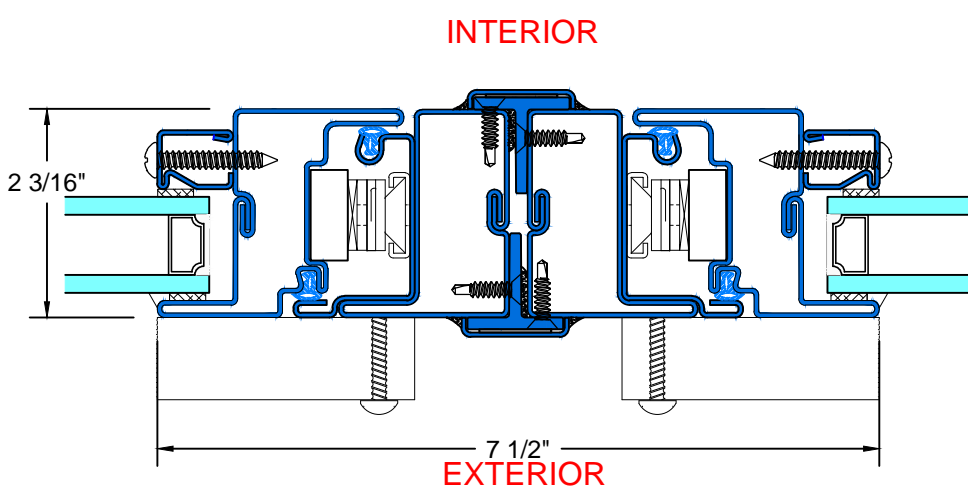
R TYPICAL STACKING MULLION



S TYPICAL LOCK STACKING MULLION



T TYPICAL FIXED JOINING MULLION



V TYPICAL OPERABLE JOINING MULLION



28 Canal Street, Ellenville, NY 12428
Phone (845) 647-1900

FIRE

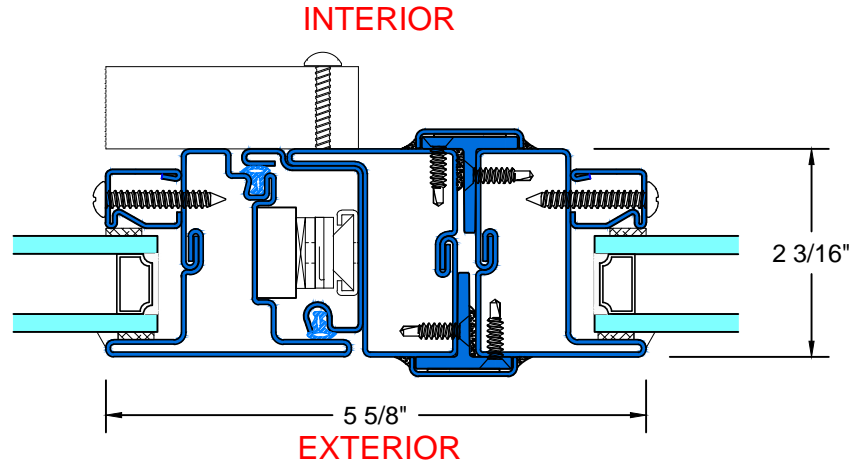
TYPICAL DETAILS

Scale: 1:2

FR8600-PI SERIES

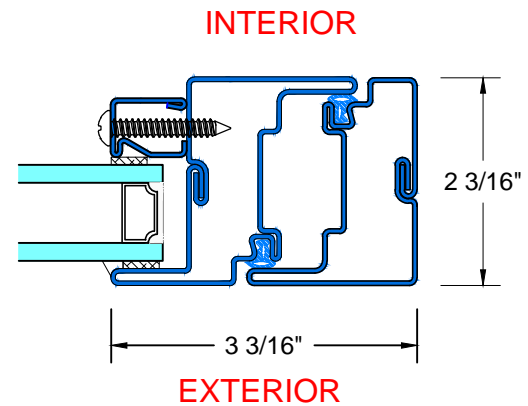
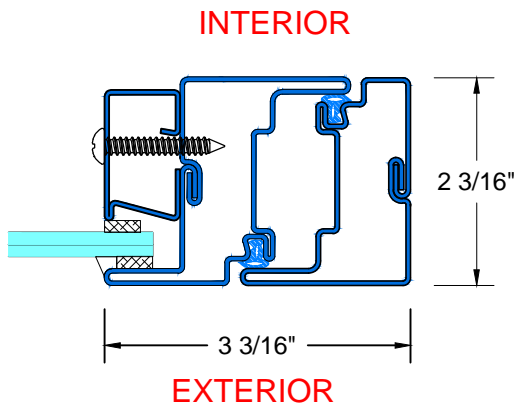
UL APPROVED AND CERTIFIED
PROJECT IN
3/4 HOUR FIRE RATED

PAGE 7 OF 8



X TYPICAL JOINING MULLION

GLAZING OPTIONS



1

TYPICAL JAMB W/
1/4" FIRE RATED GLASS

2

TYPICAL JAMB W/
1" FIRE RATED GLASS



28 Canal Street, Ellenville, NY 12428
Phone (845) 647-1900

FIRE

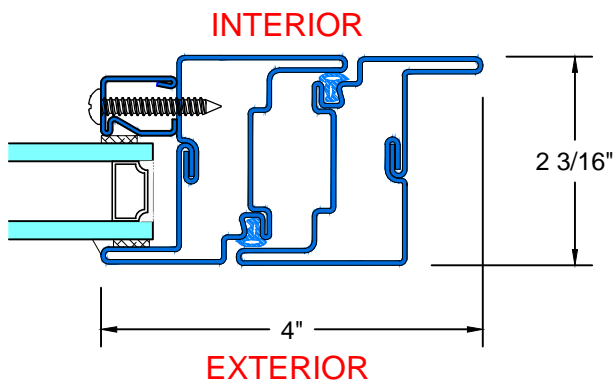
FR8600-PI SERIES

FRAME OPTIONS

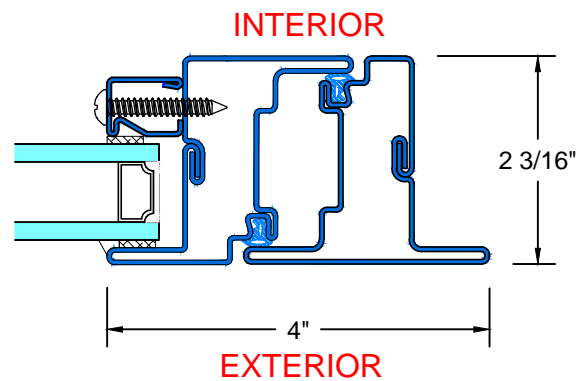
Scale: 1:2

UL APPROVED AND CERTIFIED
PROJECT IN
3/4 HOUR FIRE RATED

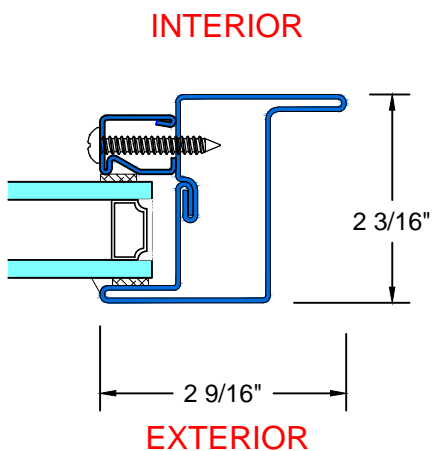
PAGE 8 OF 8



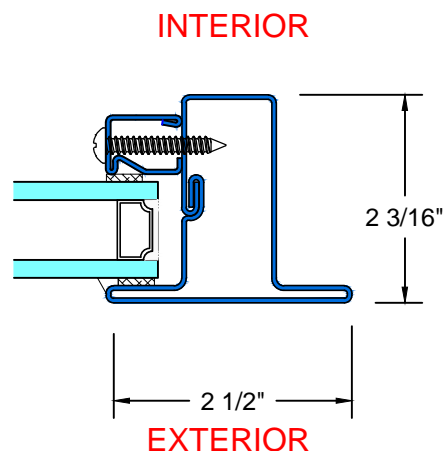
1 TYPICAL JAMB
INTERIOR FLANGE



2 TYPICAL JAMB
EXTERIOR FLANGE



3 TYPICAL FIXED
INTERIOR FLANGE



4 TYPICAL FIXED
EXTERIOR FLANGE



28 Canal Street, Ellenville, NY 12428
Phone (845) 647-1900