

FIRE

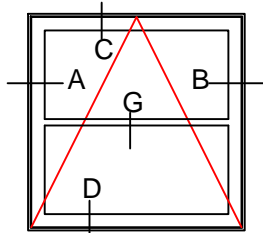
TYPICAL EXTERIOR ELEVATIONS

FR8600-PO SERIES

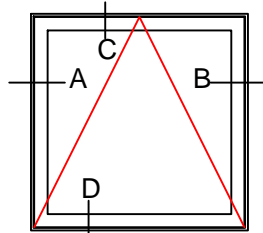
Scale: Not To Scale

UL APPROVED AND CERTIFIED
PROJECT OUT
3/4 HOUR FIRE RATED

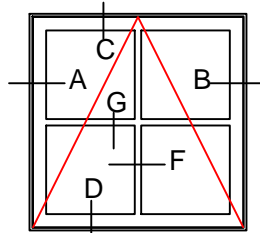
PAGE 1 OF 8



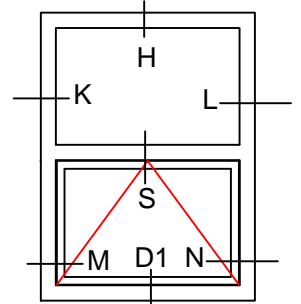
8621-PO



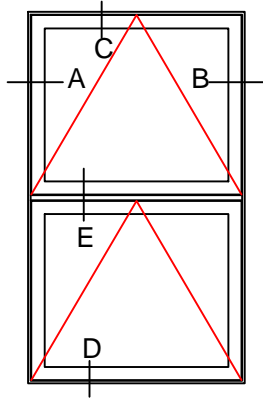
8611-PO



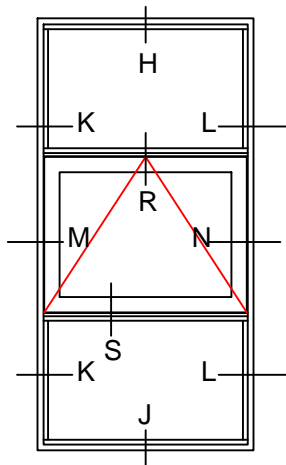
8622-PO



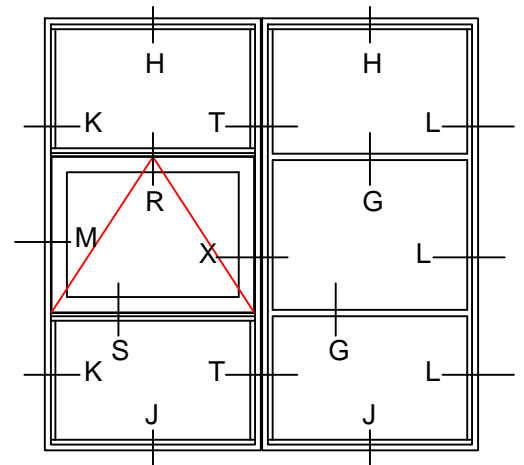
8612-FX/PO



8612-PO/PO

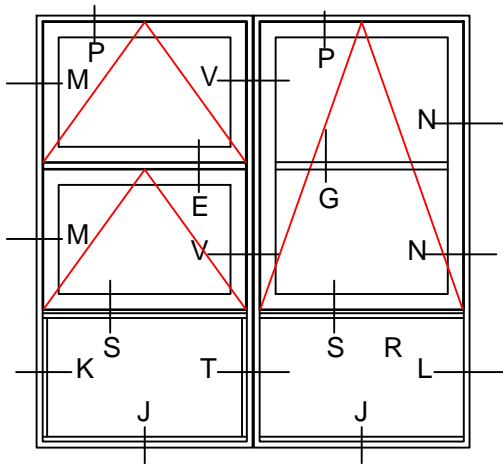


8613-FX/PO/FX



8613-FX/PO/FX

8613-FX



8613-FX/PO/FX

8613-FX/PO/FX

*WINDOWS WITH A WIDTH OVER 34"
WILL RECEIVE 2 HANDLES
AND 2 KEEPERS

*WINDOWS WITH A WIDTH UNDER 34"
WILL RECEIVE 1 HANDLES
AND 1 KEEPER

*ALL UNITS RESTRICTED TO OPEN 4"



28 Canal Street, Ellenville, NY 12428
Phone (845) 647-1900

FIRE

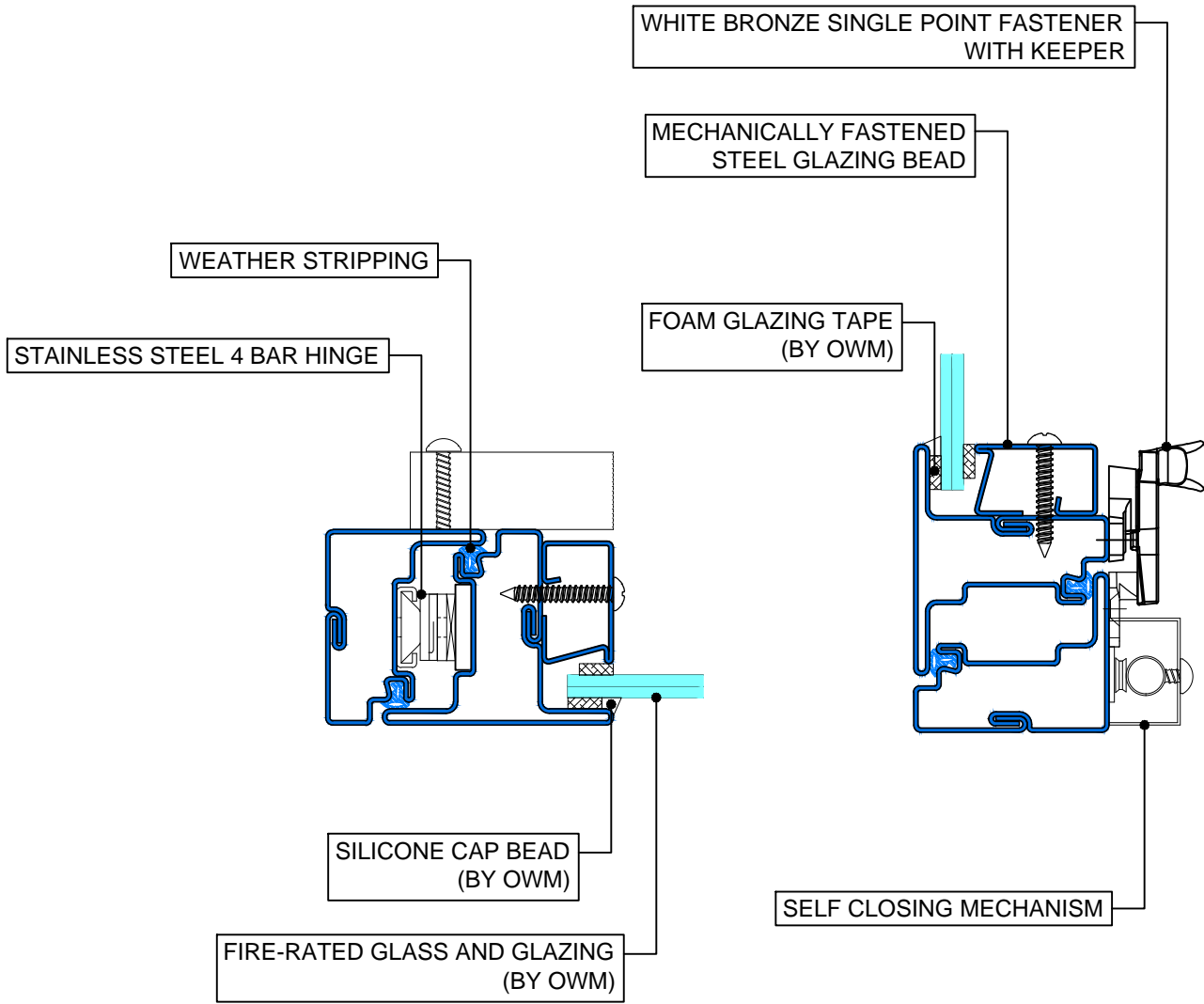
FR8600-PO SERIES

KEY TYPICAL

Scale: 1:2

UL APPROVED AND CERTIFIED
PROJECT OUT
3/4 HOUR FIRE RATED

PAGE 2 OF 8



28 Canal Street, Ellenville, NY 12428
Phone (845) 647-1900

FIRE

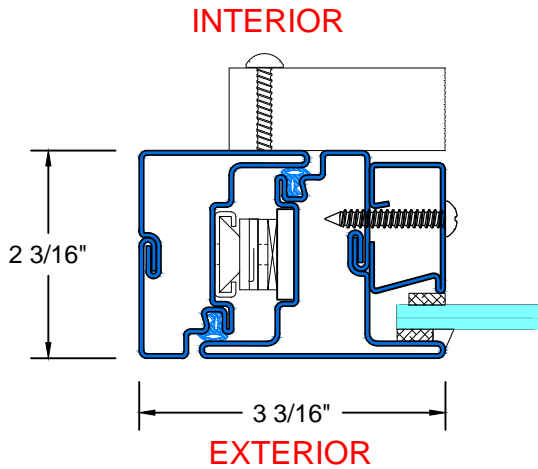
TYPICAL DETAILS

Scale: 1:2

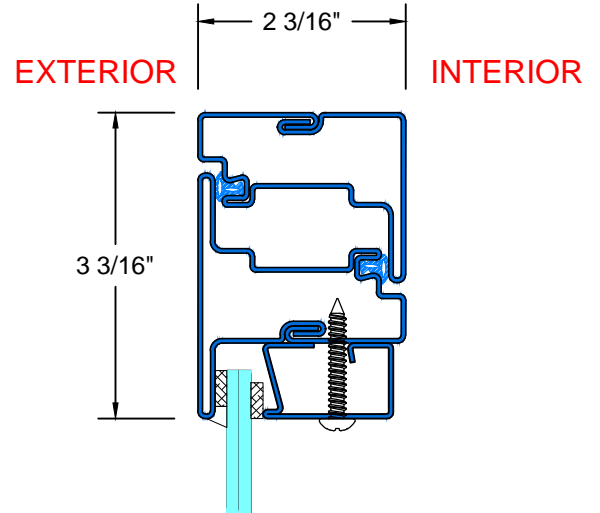
FR8600-PO SERIES

UL APPROVED AND CERTIFIED
PROJECT OUT
3/4 HOUR FIRE RATED

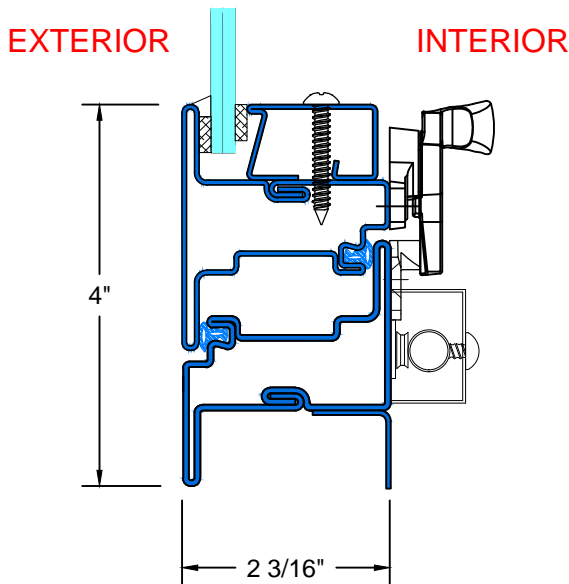
PAGE 3 OF 8



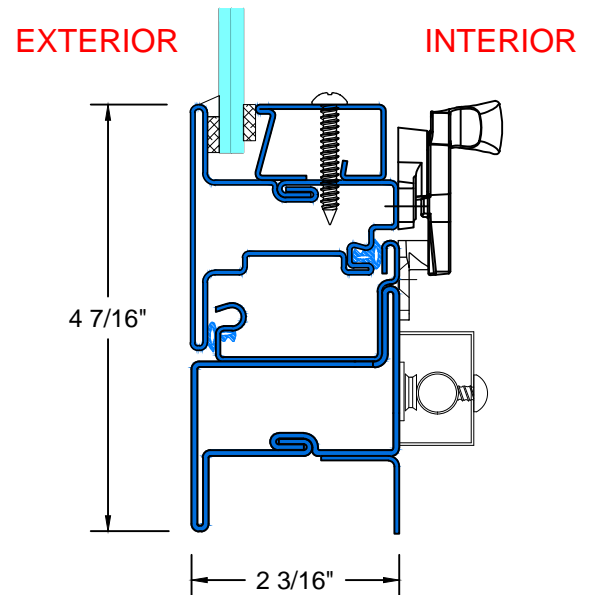
A&B TYPICAL HINGED JAMB



C TYPICAL HEAD



D TYPICAL SILL



D1 TYPICAL SILL



28 Canal Street, Ellenville, NY 12428
Phone (845) 647-1900

FIRE

FR8600-PO SERIES

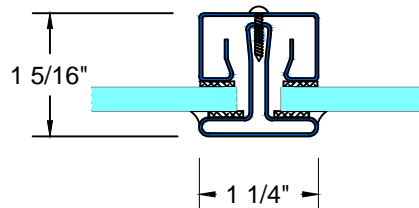
TYPICAL DETAILS

Scale: 1:2

UL APPROVED AND CERTIFIED
PROJECT OUT
3/4 HOUR FIRE RATED

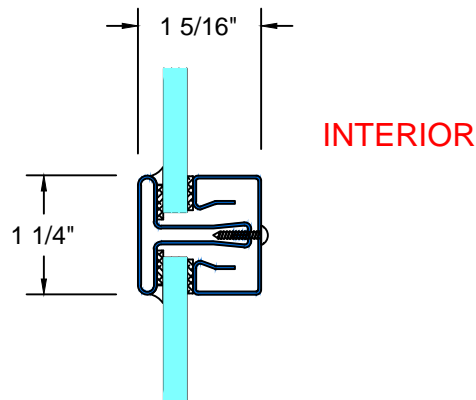
PAGE 4 OF 8

INTERIOR



EXTERIOR

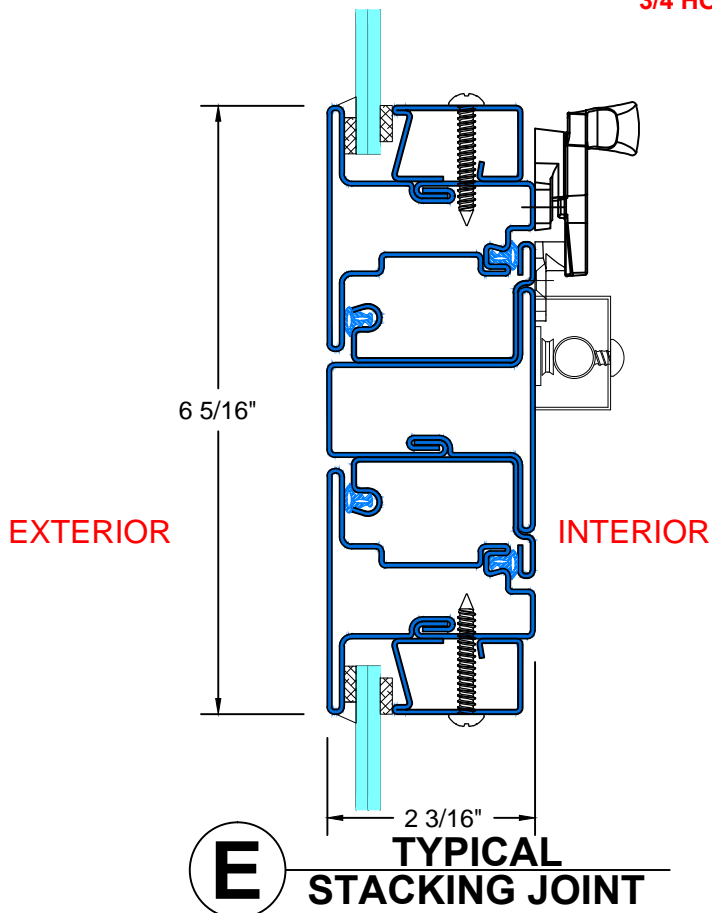
F TYPICAL VERTICAL MUNTIN W/ 1/4" GLASS



EXTERIOR

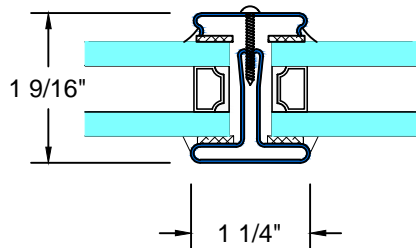
INTERIOR

G TYPICAL HORIZONTAL MUNTIN W/ 1/4" GLASS



E TYPICAL STACKING JOINT

INTERIOR

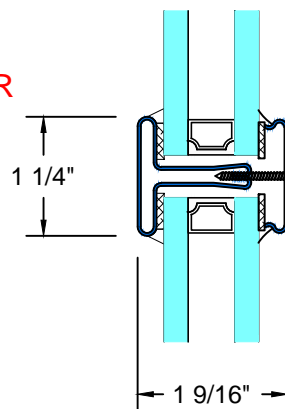


EXTERIOR

H&J TYPICAL VERTICAL MUNTIN W/ 1" GLASS

EXTERIOR

INTERIOR



K&L TYPICAL HORIZONTAL MUNTIN W/ 1" GLASS



28 Canal Street, Ellenville, NY 12428
Phone (845) 647-1900

FIRE

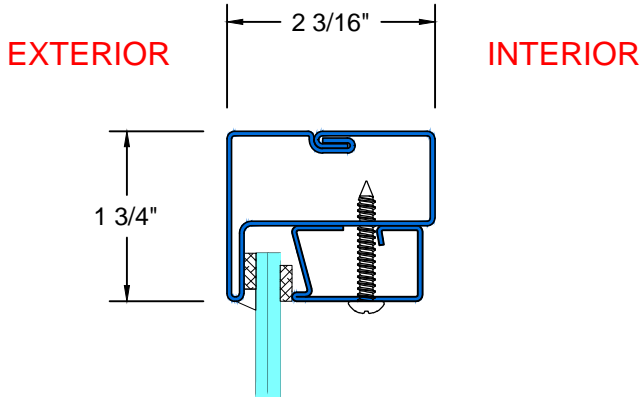
FR8600-PO SERIES

TYPICAL DETAILS

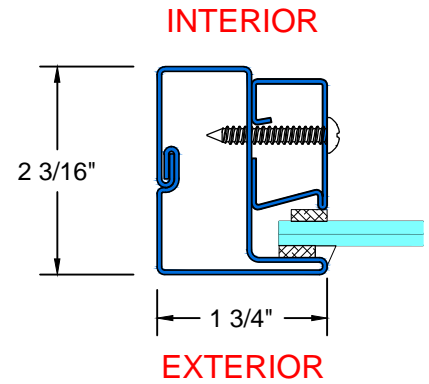
Scale: 1:2

UL APPROVED AND CERTIFIED
PROJECT OUT
3/4 HOUR FIRE RATED

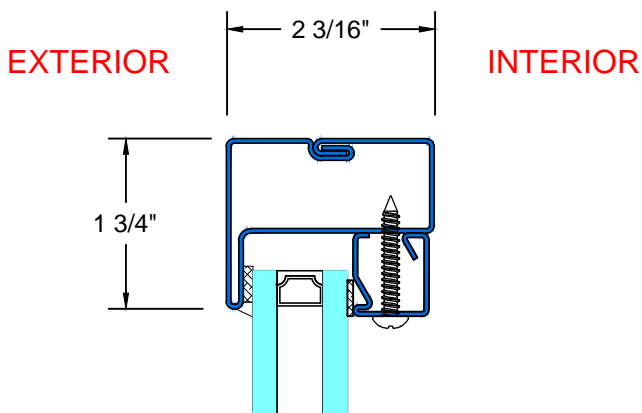
PAGE 5 OF 8



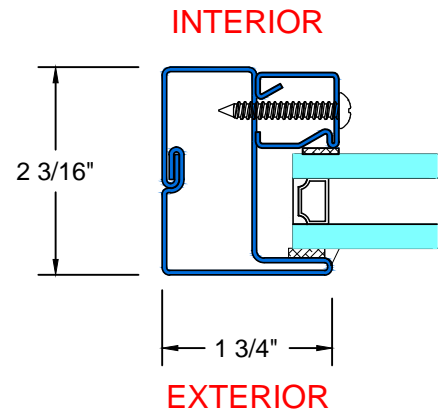
F TYPICAL FIXED
HEAD & SILL W/ 1/4" GLASS



G TYPICAL FIXED
JAMB W/ 1/4" GLASS



H&J TYPICAL FIXED
HEAD & SILL W/ 1" GLASS



K&L TYPICAL FIXED
JAMB W/ 1" GLASS



28 Canal Street, Ellenville, NY 12428
Phone (845) 647-1900

FIRE

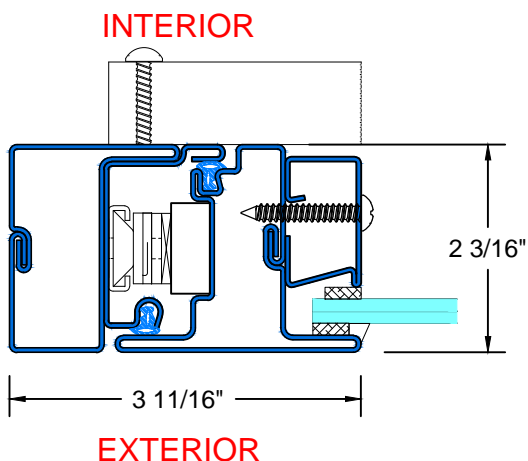
FR8600-PO SERIES

TYPICAL DETAILS

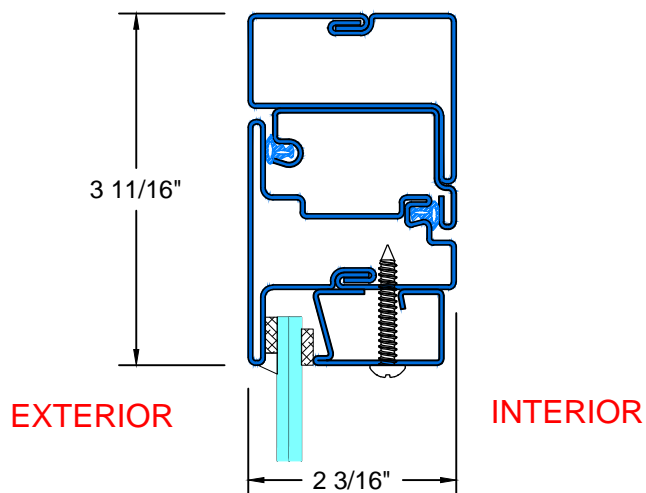
Scale: 1:2

UL APPROVED AND CERTIFIED
PROJECT OUT
3/4 HOUR FIRE RATED

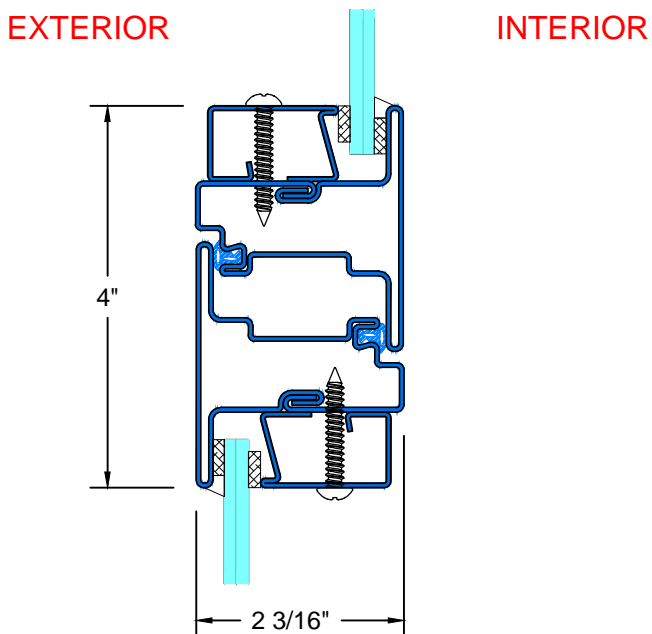
PAGE 6 OF 8



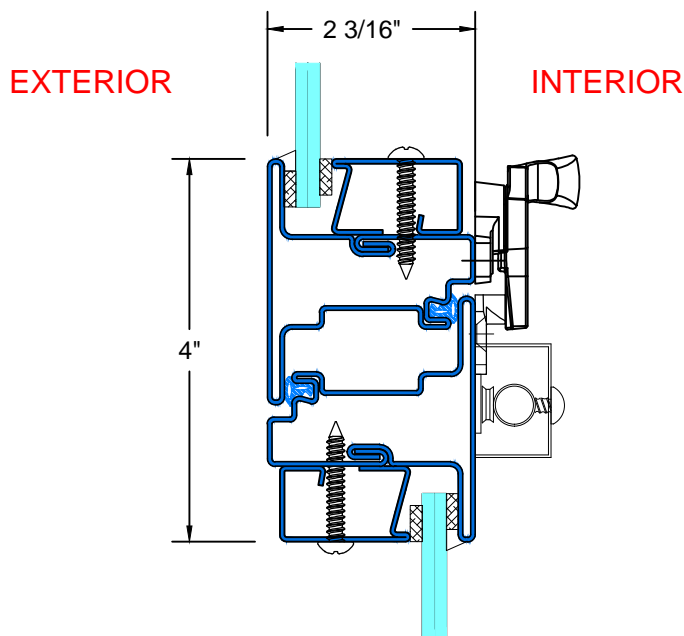
M&N TYPICAL STACKING JAMB



P TYPICAL STACKING HEAD



R TYPICAL STACKING MULLION



S TYPICAL LOCK STACKING MULLION



28 Canal Street, Ellenville, NY 12428
Phone (845) 647-1900

FIRE

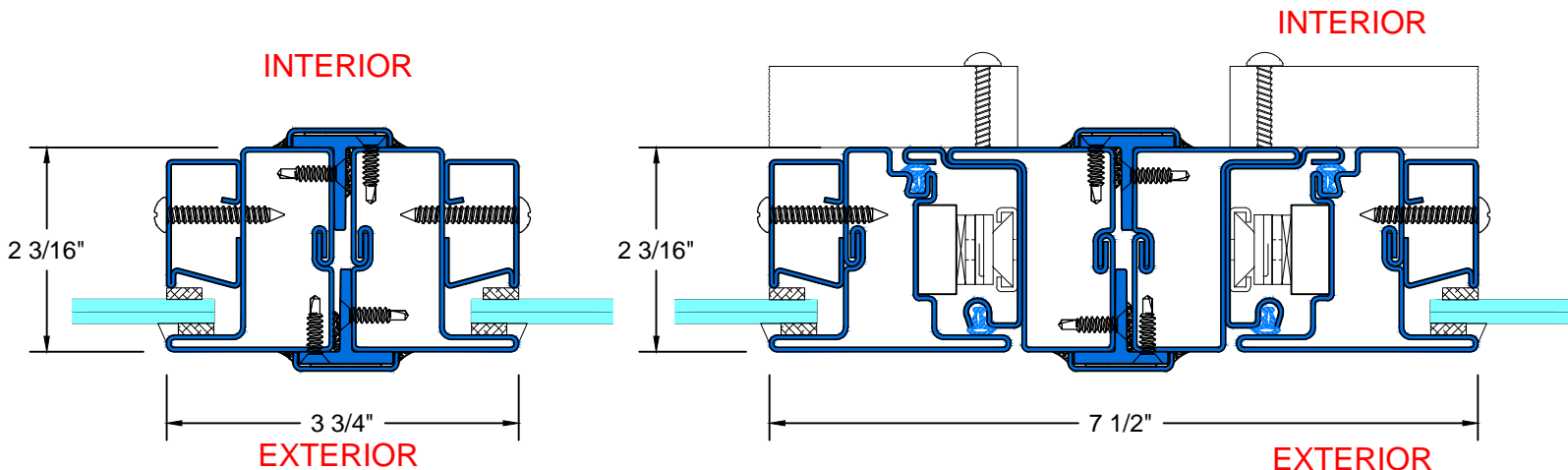
FR8600-PO SERIES

TYPICAL DETAILS

Scale: 1:2

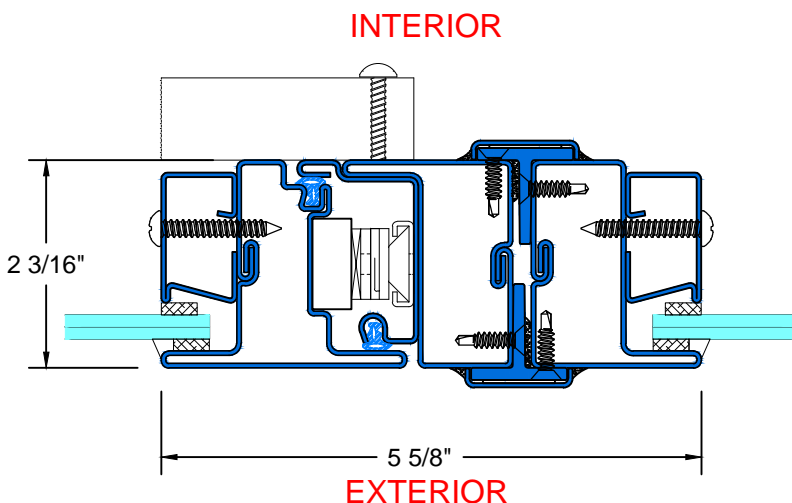
UL APPROVED AND CERTIFIED
PROJECT OUT
3/4 HOUR FIRE RATED

PAGE 7 OF 8



T TYPICAL FIXED JOINING MULLION

V TYPICAL OPERABLE JOINING MULLION



X TYPICAL JOINING MULLION



28 Canal Street, Ellenville, NY 12428
Phone (845) 647-1900

FIRE

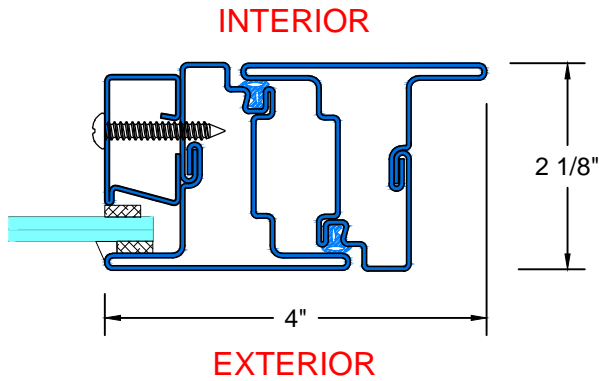
FR8600-PO SERIES

FRAME OPTIONS

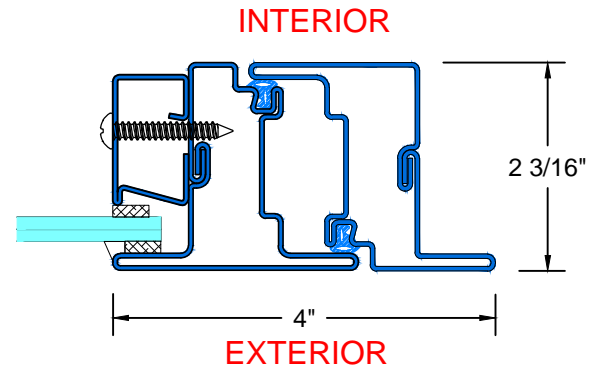
Scale: 1:2

UL APPROVED AND CERTIFIED
PROJECT OUT
3/4 HOUR FIRE RATED

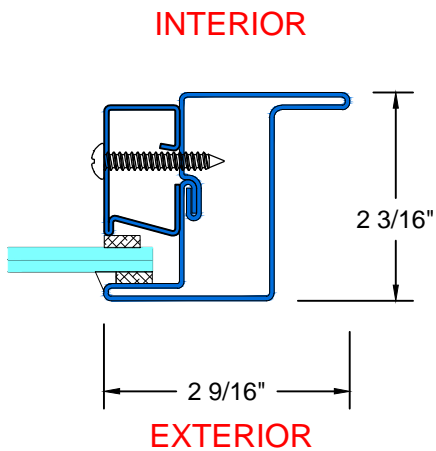
PAGE 8 OF 8



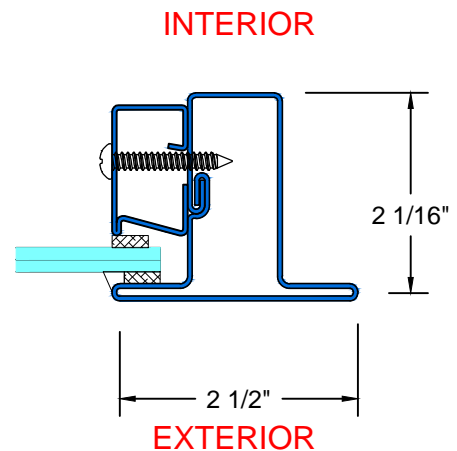
1 TYPICAL JAMB
INTERIOR FLANGE



2 TYPICAL JAMB
EXTERIOR FLANGE



3 TYPICAL FIXED
INTERIOR FLANGE



4 TYPICAL FIXED
EXTERIOR FLANGE



28 Canal Street, Ellenville, NY 12428
Phone (845) 647-1900