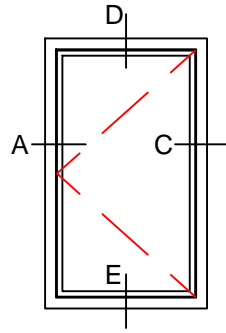
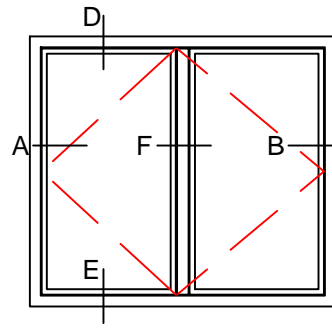


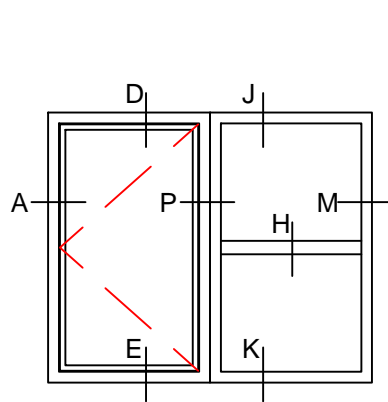
INSWING CASEMENT WINDOW



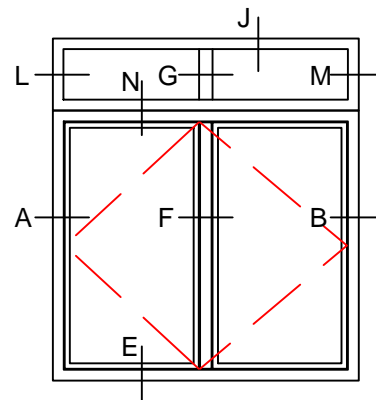
680-11-IC



680-21-FR-IC



680-22-IC-FX

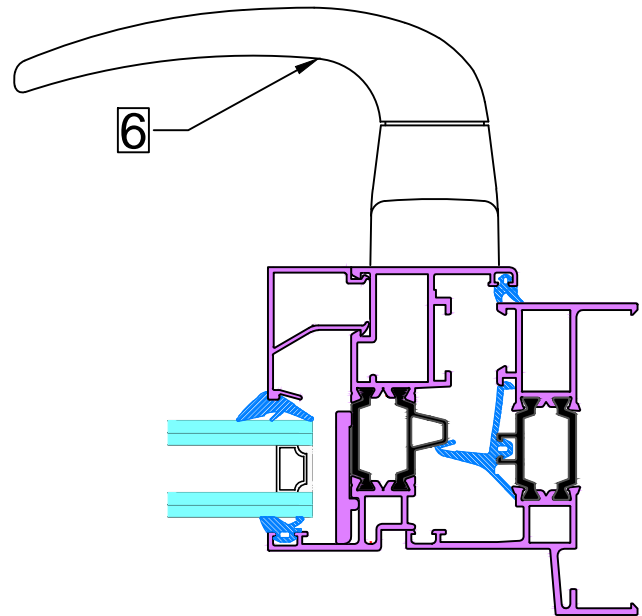
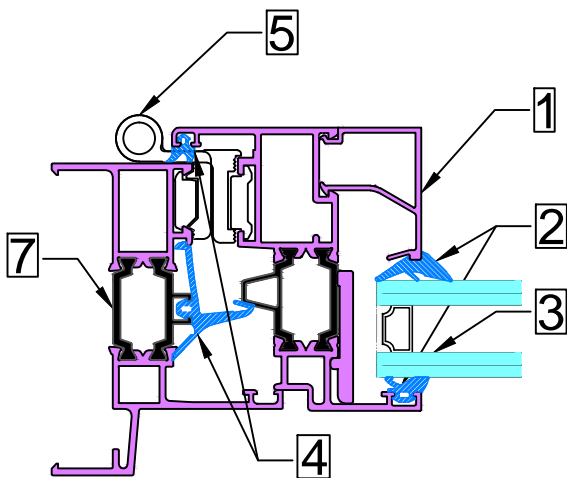


680-22-FR-IC-FX

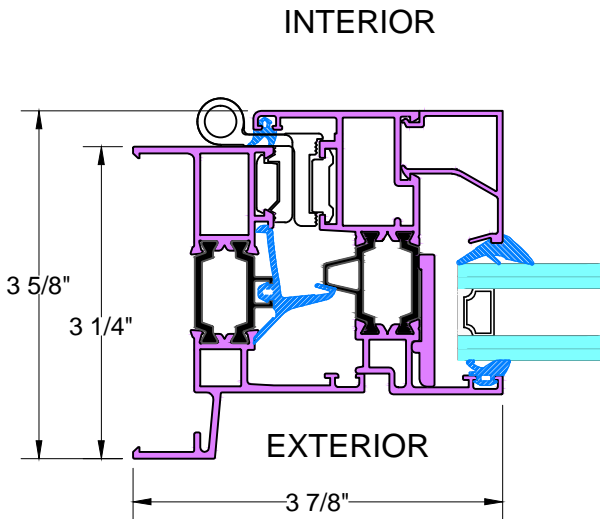
INSWING CASEMENT WINDOW

KEY (TYPICAL)

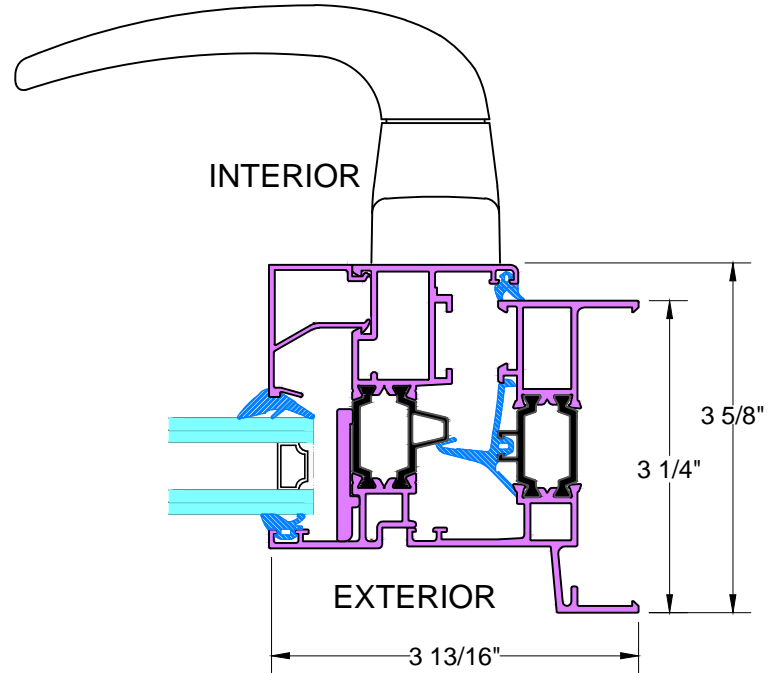
1. Snap in aluminum glazing bead
2. Extruded EPDM wedge gasket (by OWM)
3. 1" glass and glazing (by others)
4. Weather stripping
5. Metro casement hinge
6. Metro handle (other options available)
7. Thermal break



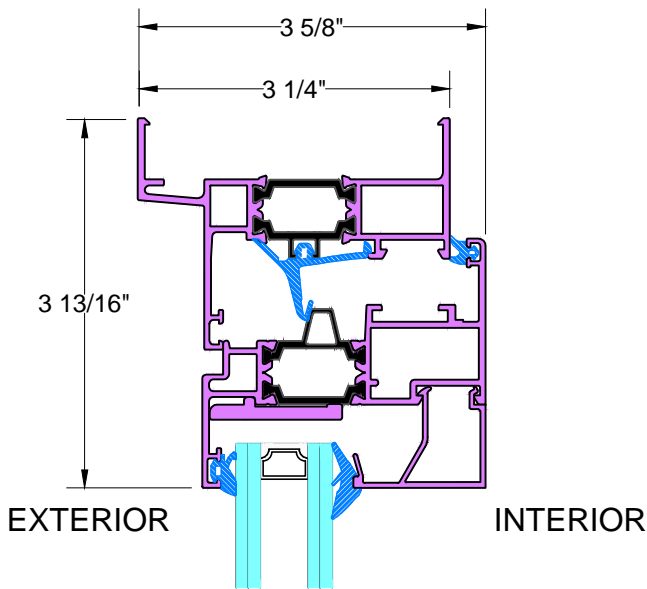
INSWING CASEMENT WINDOW



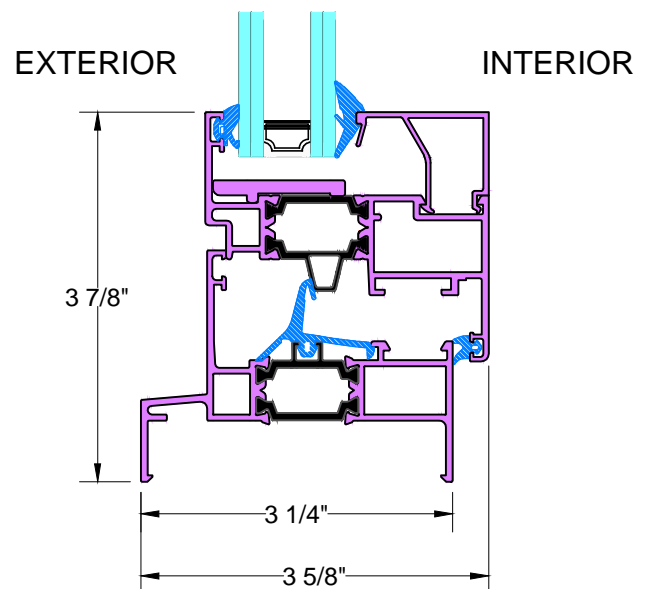
A&B TYPICAL HINGED JAMB



C TYPICAL LOCKING JAMB

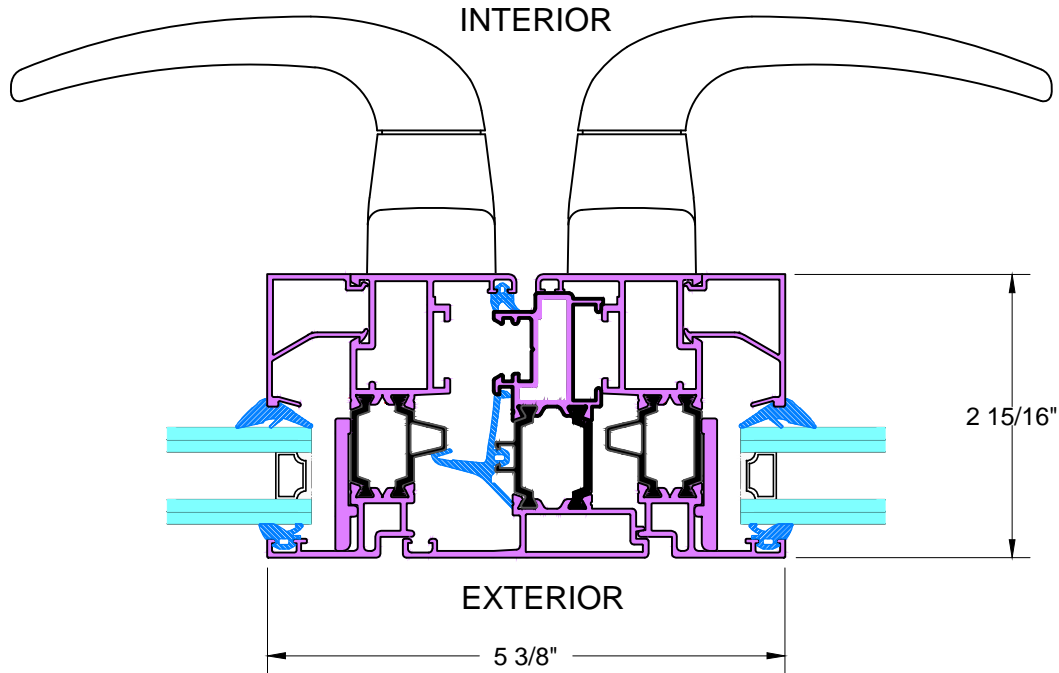


D TYPICAL HEAD

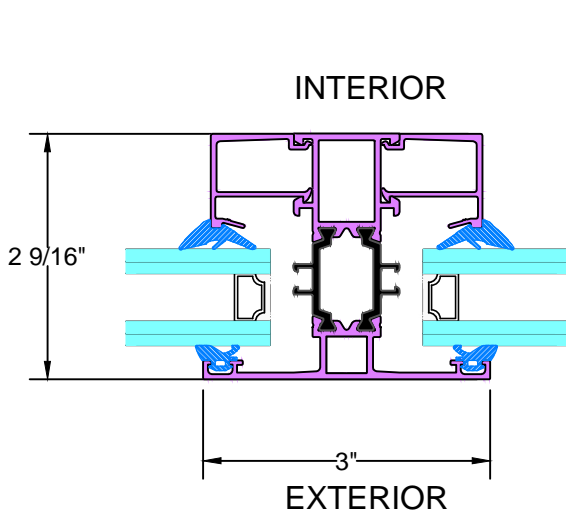


E TYPICAL SILL

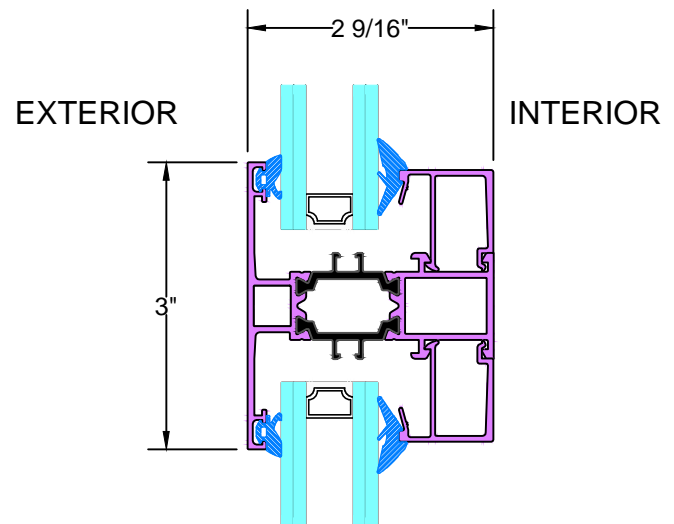
INSWING CASEMENT WINDOW



F TYPICAL FRENCH MEETING RAIL

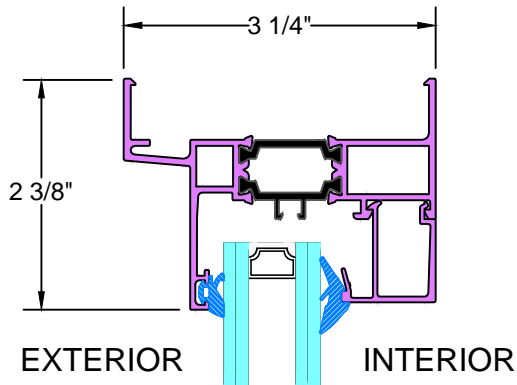


G TYPICAL VERTICAL MUNTIN

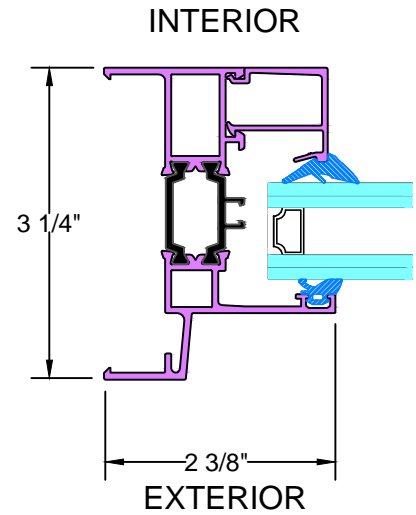


H TYPICAL HORIZONTAL MUNTIN

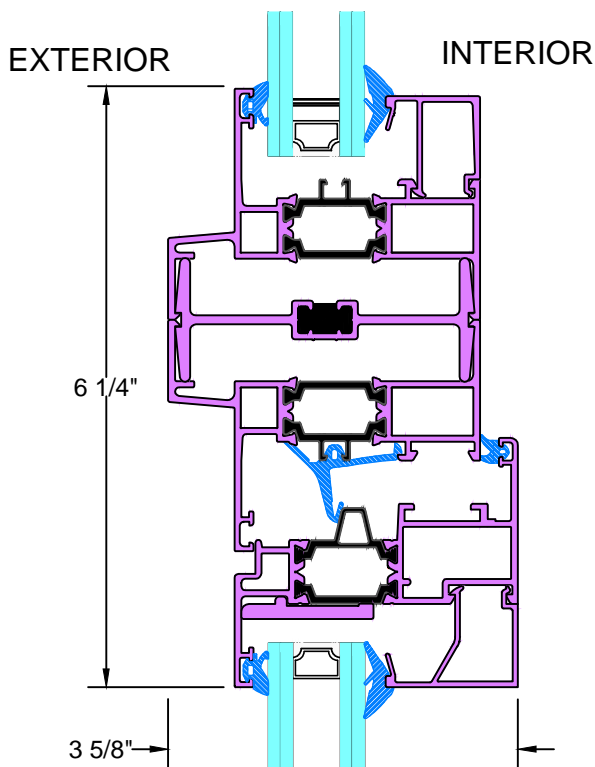
INSWING CASEMENT WINDOW



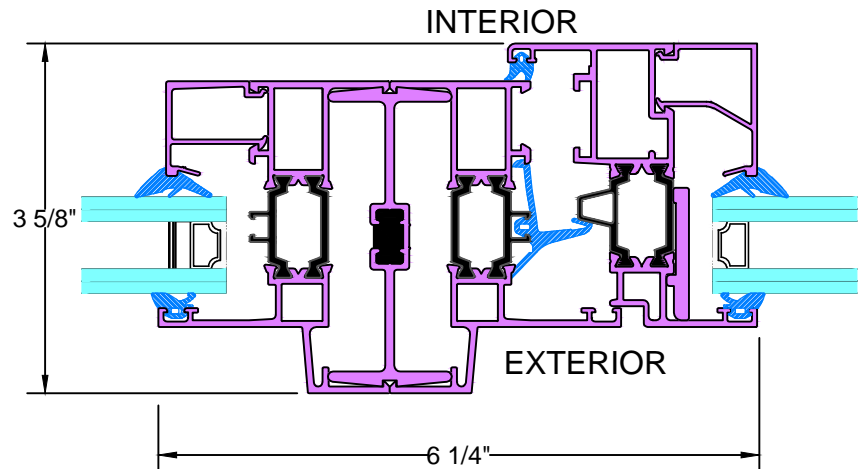
J&K TYPICAL FIXED HEAD & SILL



L&M TYPICAL FIXED JAMB



N TYPICAL STACKING MULLION



P TYPICAL JOINING MULLION