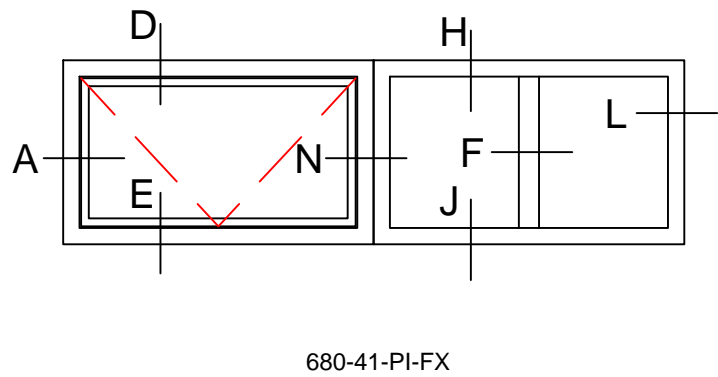
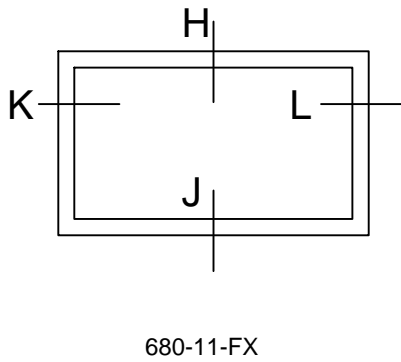
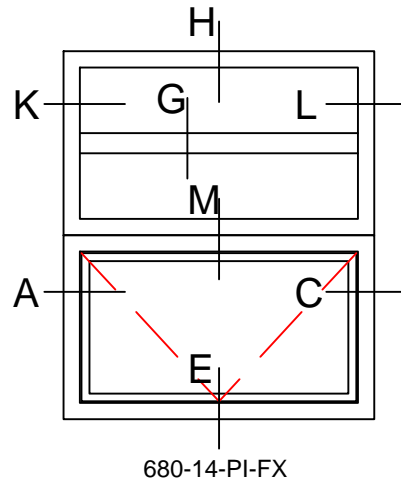
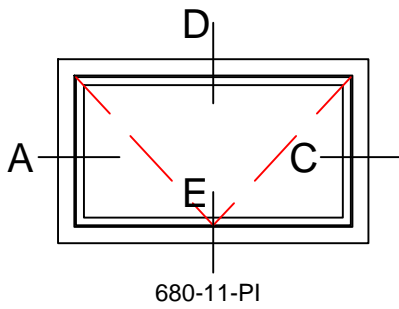


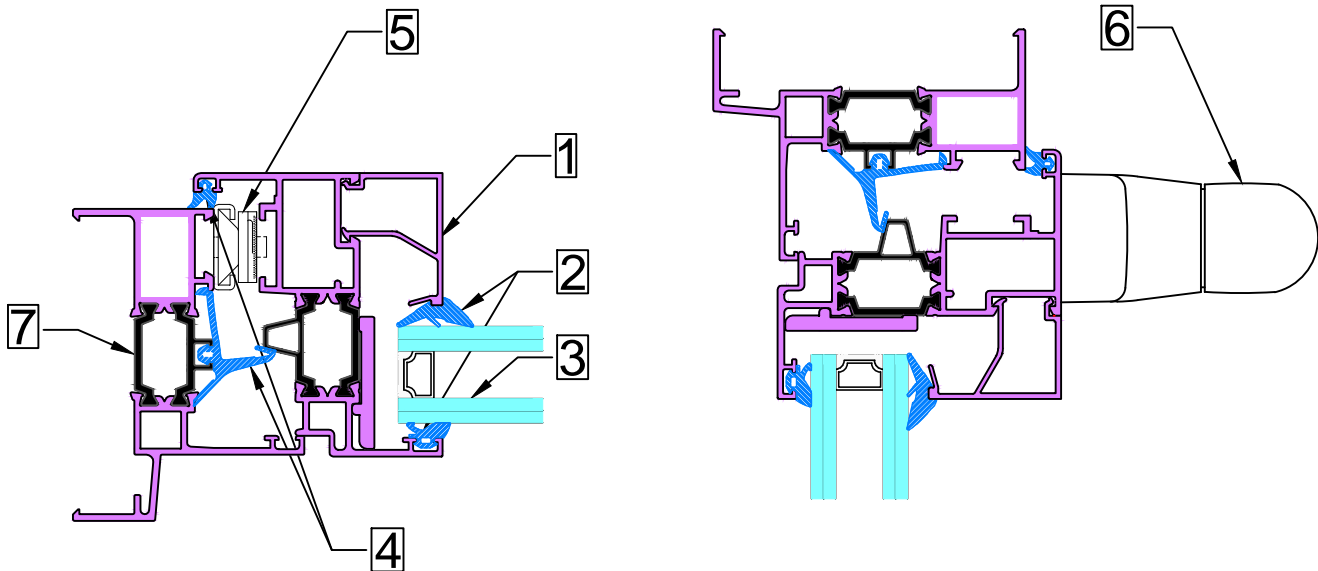
PROJECT-IN WINDOW



PROJECT-IN WINDOW

## KEY (TYPICAL)

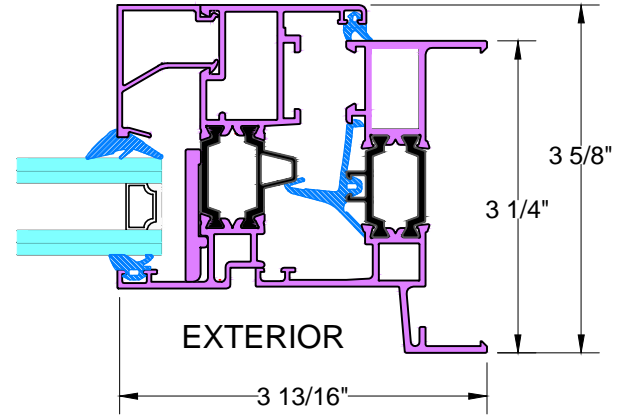
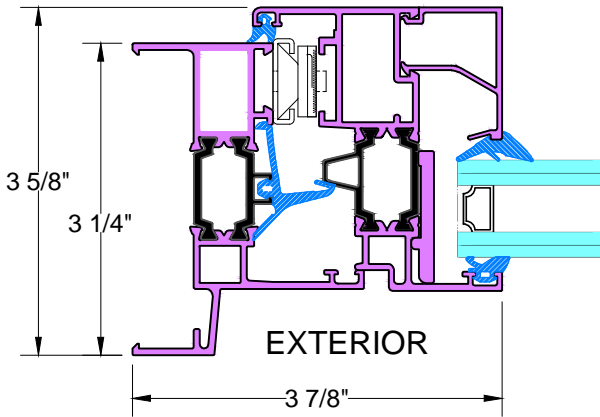
1. Snap in aluminum glazing bead (exterior glazed)
2. Extruded EPDM wedge gasket (by OWM)
3. 1" glass and glazing (by others)
4. Weather stripping
5. Metro stainless steel 4-bar hinge
6. Metro handle (other options available)
7. Thermal break



PROJECT-IN WINDOW

INTERIOR

INTERIOR

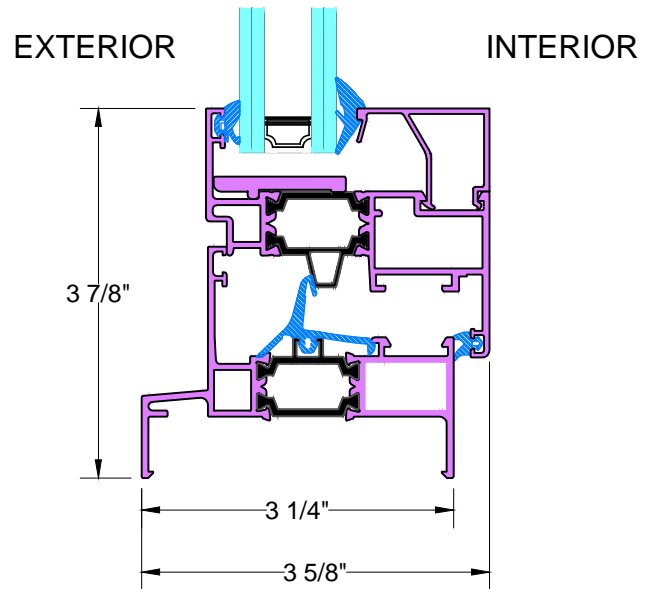
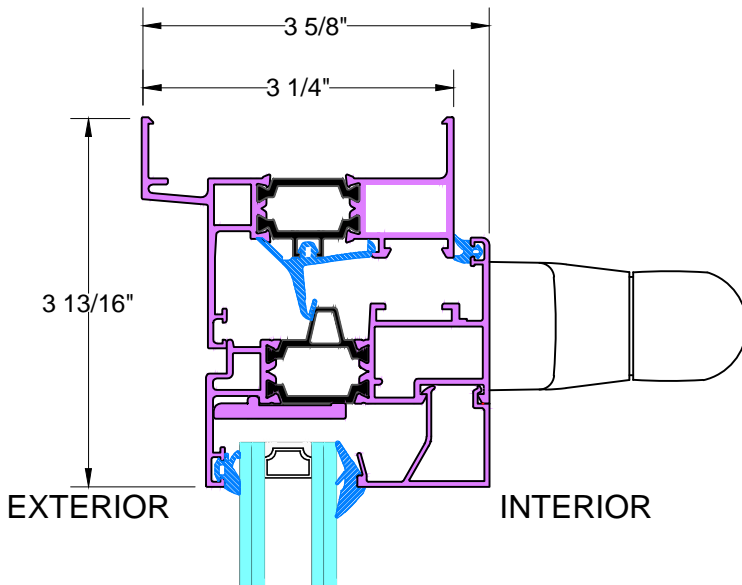


**A&B**

**TYPICAL HINGED JAMB**

**C**

**TYPICAL LOCKING JAMB**



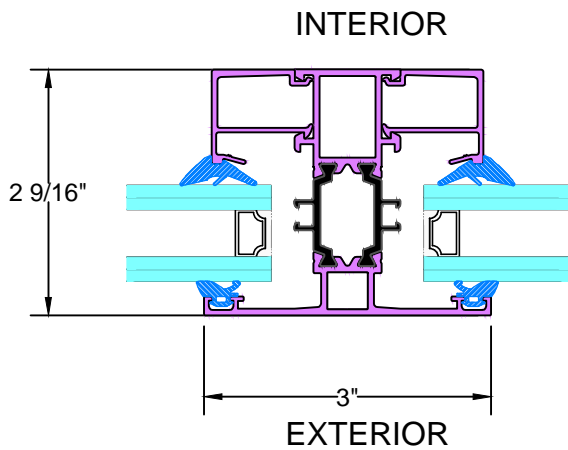
**D**

**TYPICAL HEAD**

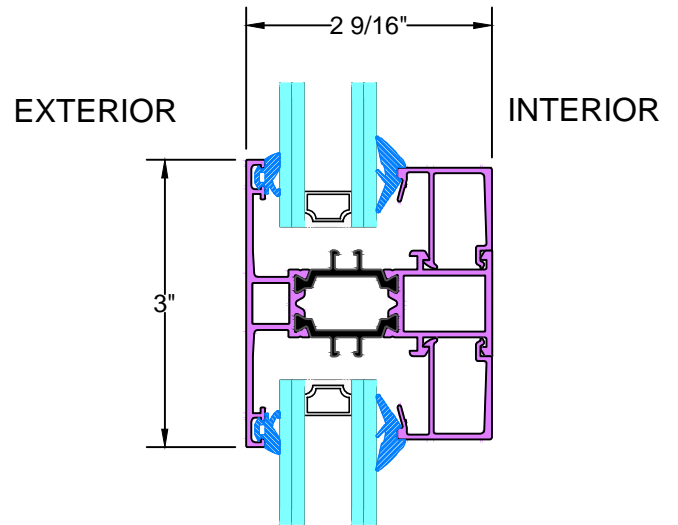
**E**

**TYPICAL SILL**

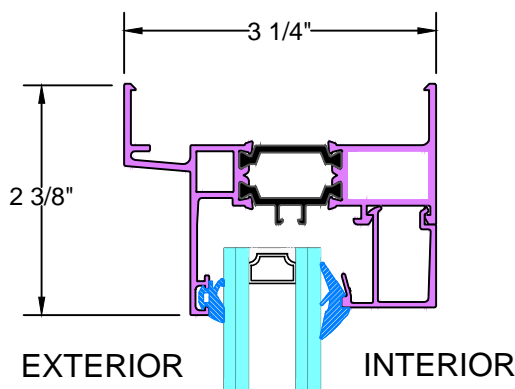
PROJECT-IN WINDOW



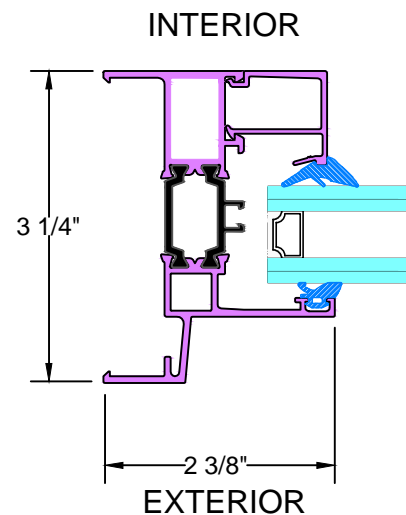
**F** TYPICAL VERTICAL MUNTIN



**G** TYPICAL HORIZONTAL MUNTIN

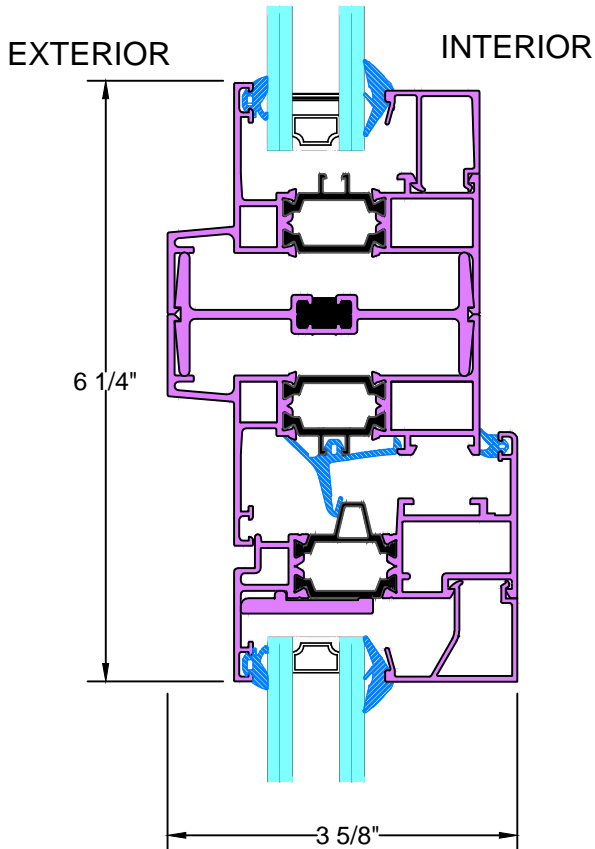


**H&J** TYPICAL FIXED HEAD & SILL

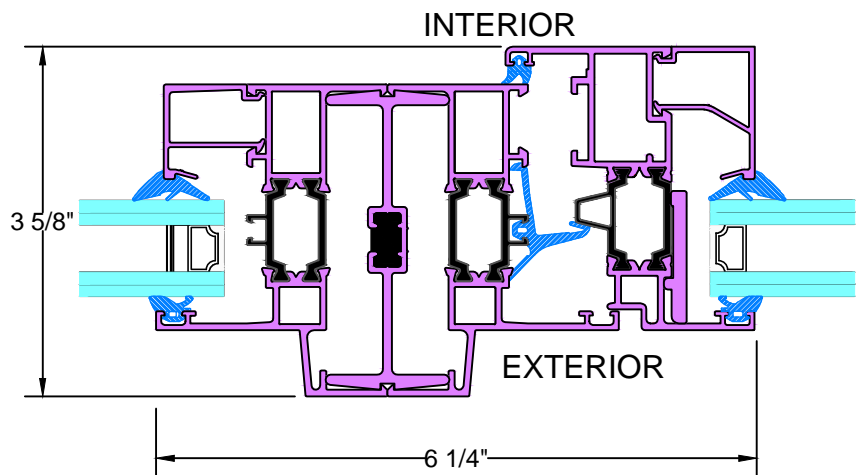


**K&L** TYPICAL FIXED JAMB

PROJECT-IN WINDOW



**M** TYPICAL STACKING MULLION



**N** TYPICAL JOINING MULLION