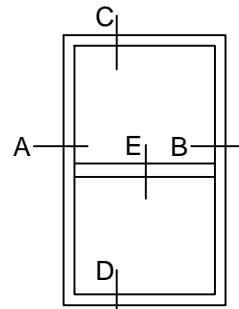
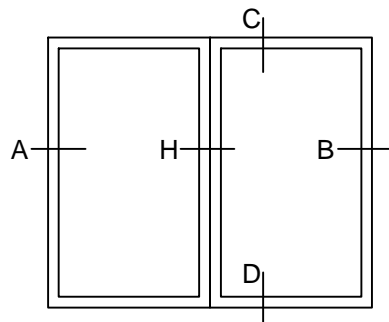


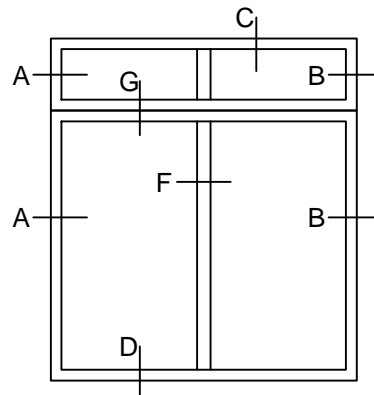
680-11-FX



680-12-FX



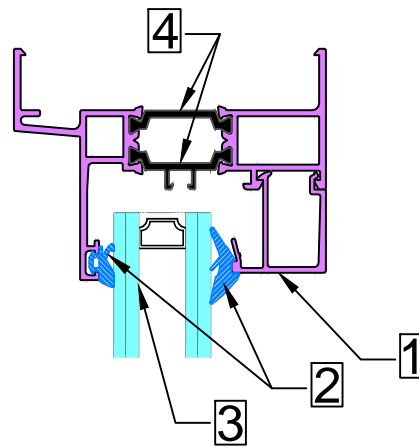
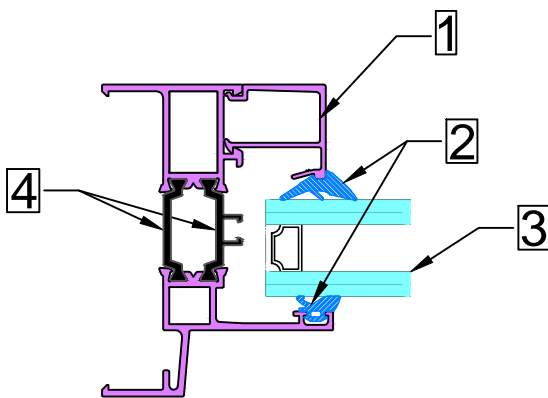
680-21-FX-FX

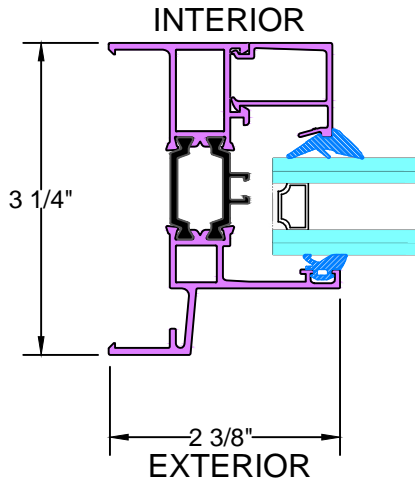


680-22-FX-FX

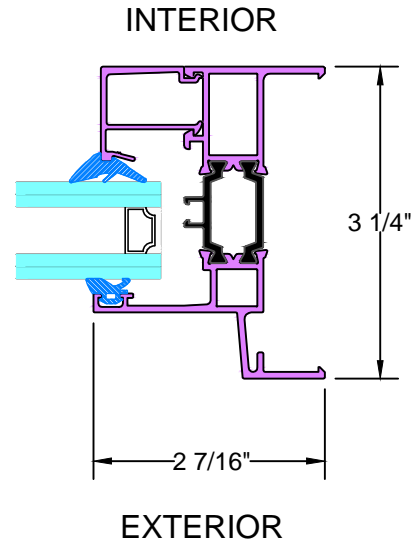
## KEY (TYPICAL)

1. Snap in aluminum glazing bead
2. Extruded EPDM wedge gasket (by OWM)
3. 1" glass and glazing (by others)
4. Thermal break

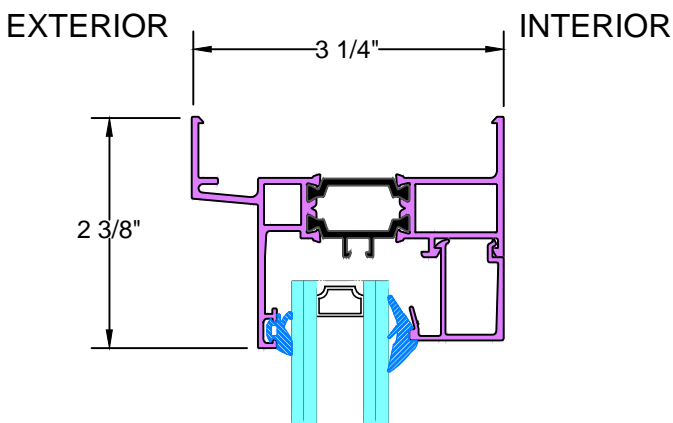




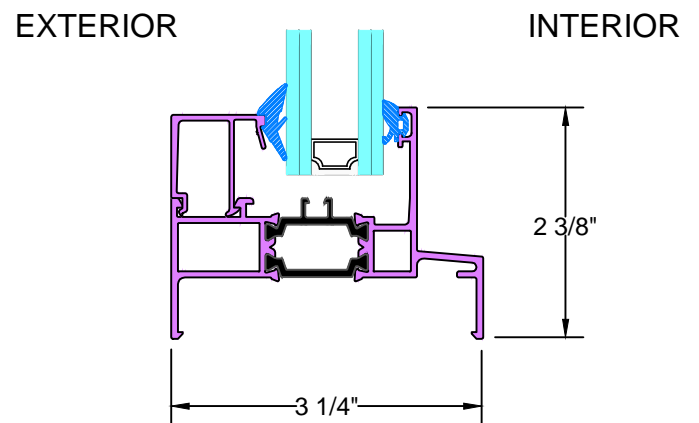
**A** — **TYPICAL JAMB**



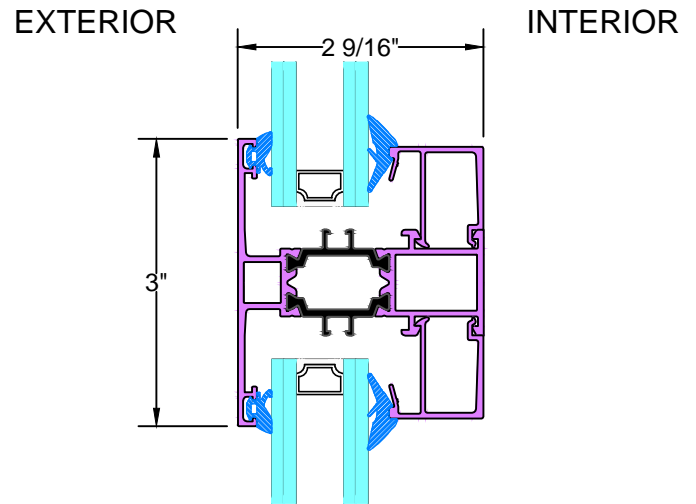
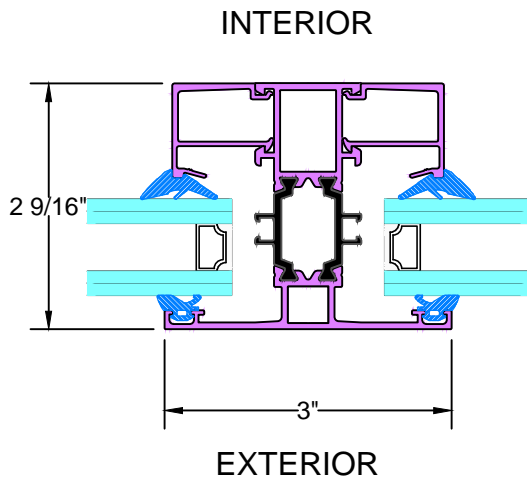
**B** — **TYPICAL JAMB**



**C** — **TYPICAL HEAD**

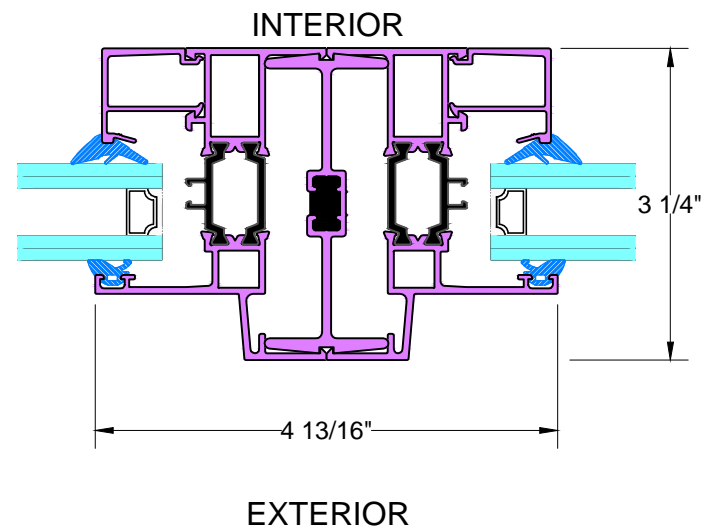
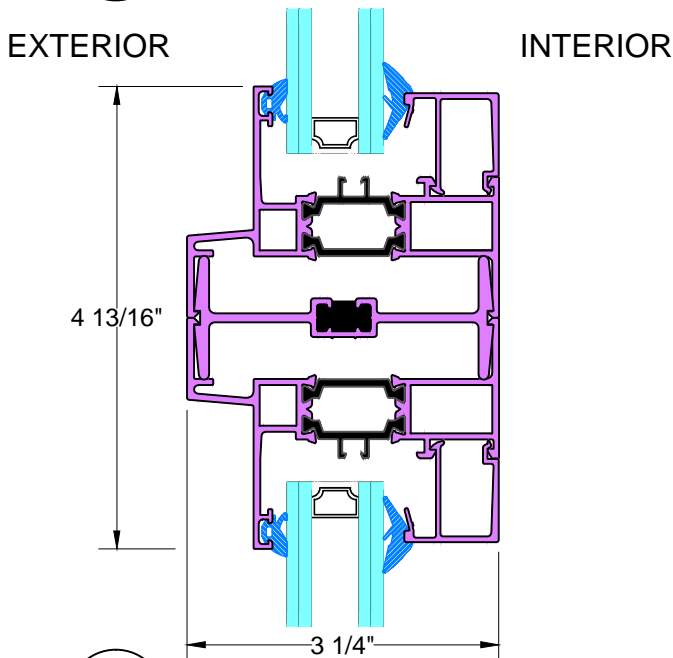


**D** — **TYPICAL SILL**



**E** TYPICAL VERTICAL MUNTIN

**F** TYPICAL HORIZONTAL MUNTIN



**G** TYPICAL STACKING MULLION

**H** TYPICAL JOINING MULLION