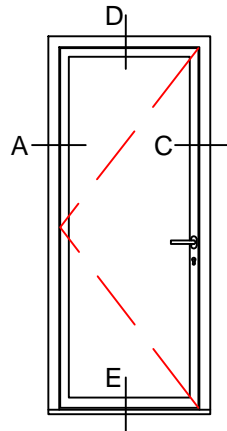
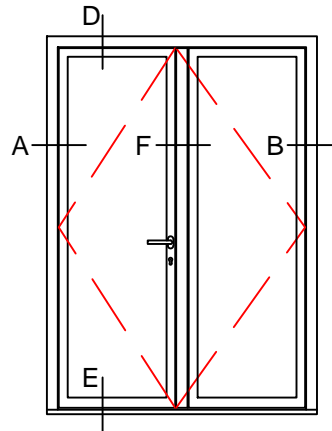




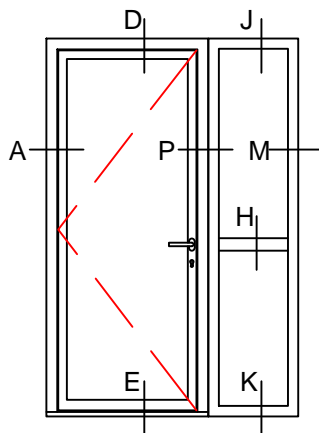
INSWING TERRACE DOOR



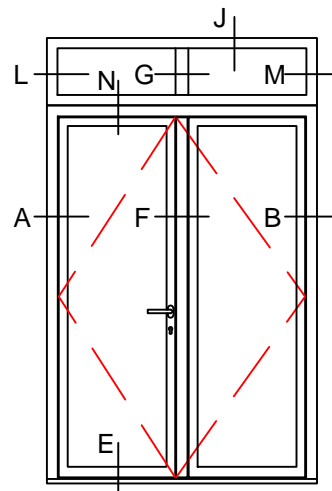
680-11-ITD



680-21-FR-ITD



680-22-ITD-FX

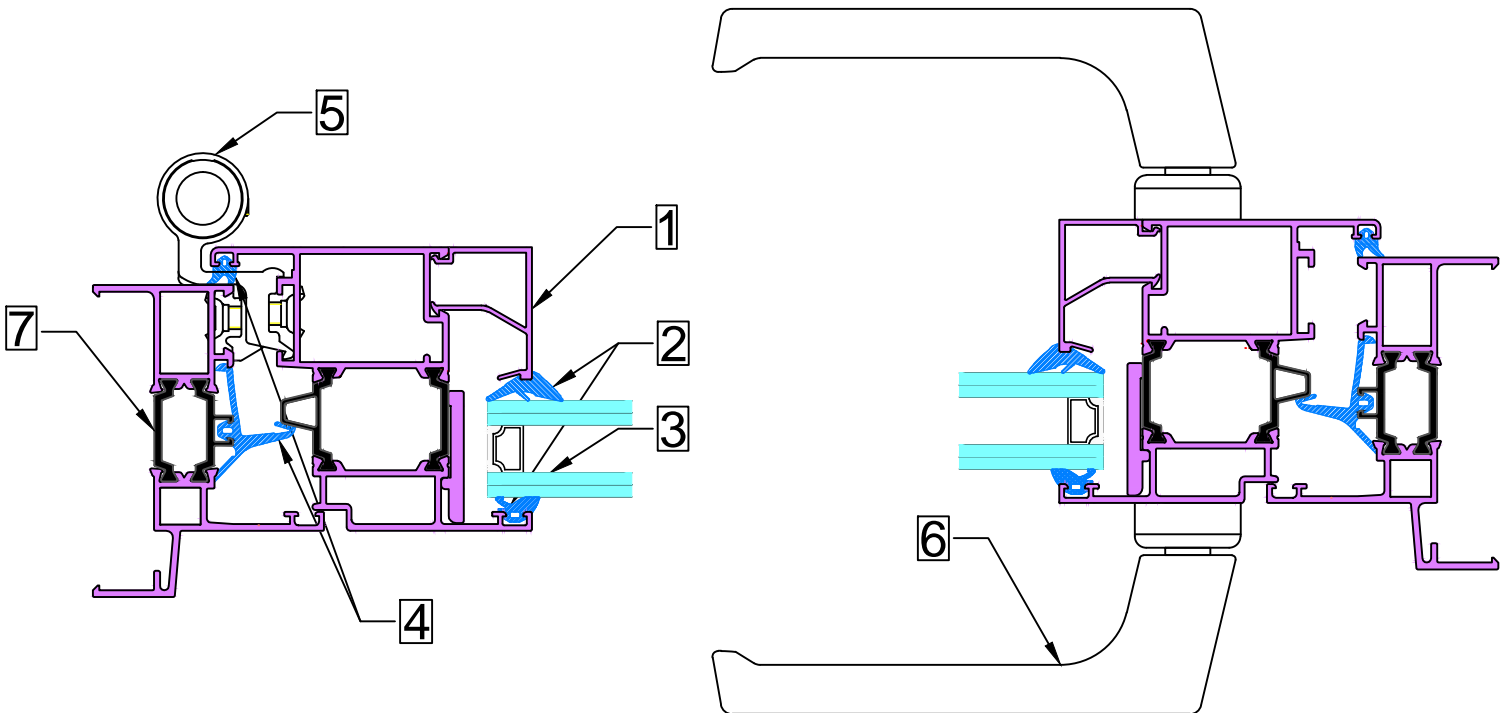


680-22-FR-ITD-FX

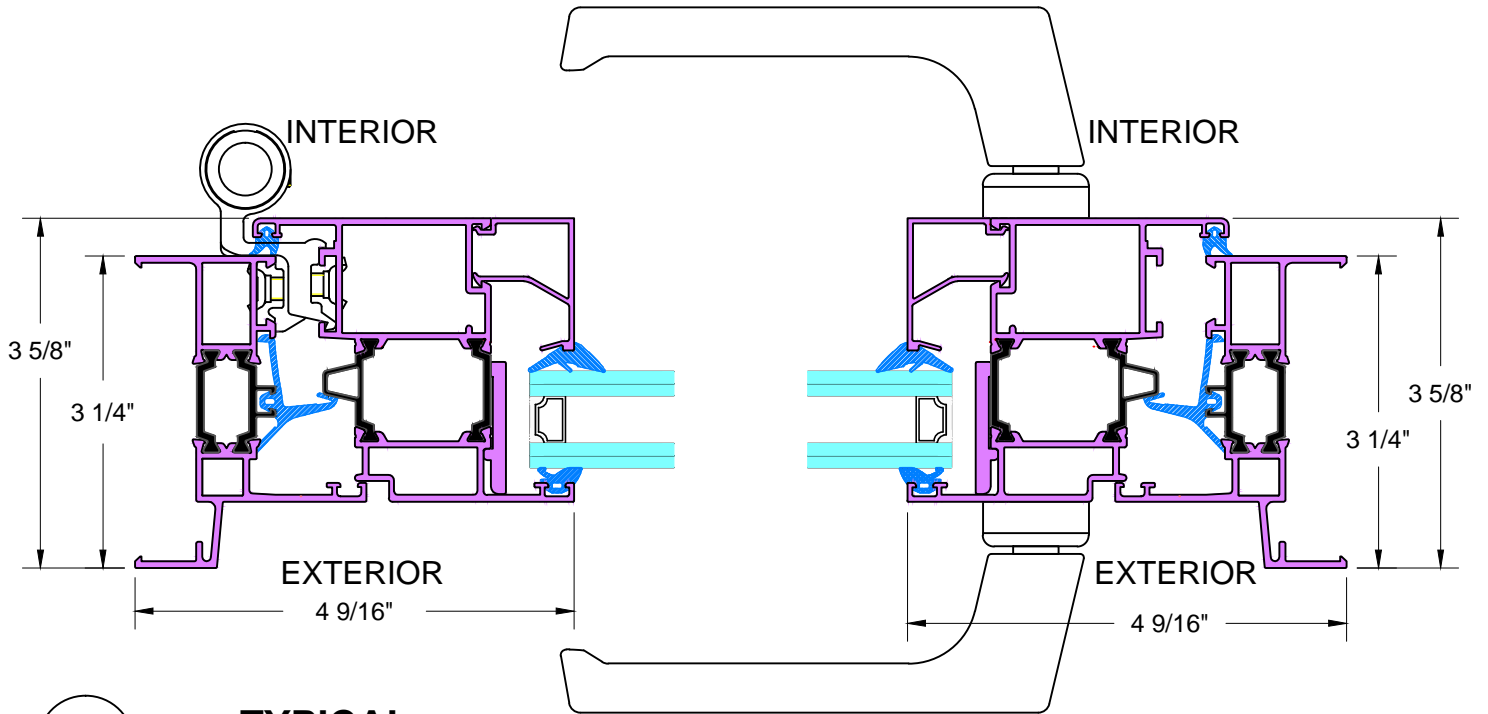
INSWING TERRACE DOOR

# KEY (TYPICAL)

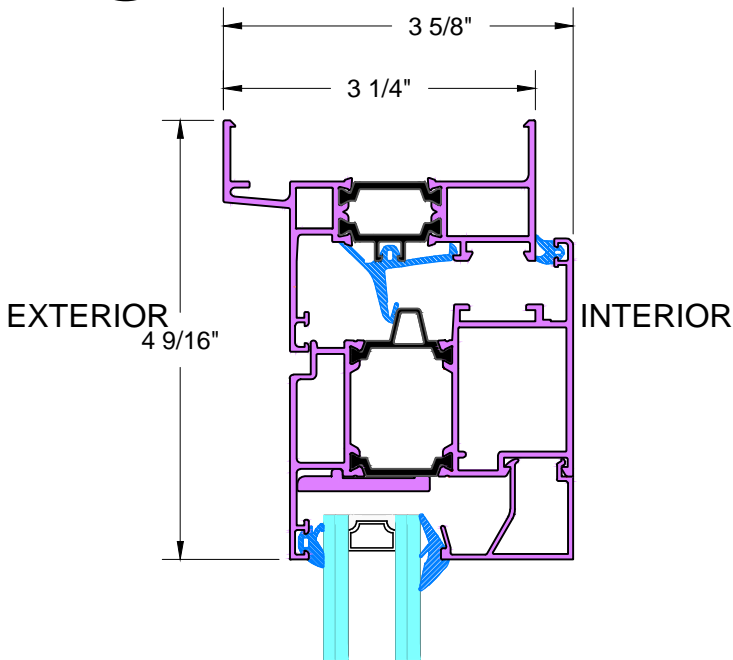
1. Snap in aluminum glazing bead
2. Extruded EPDM wedge gasket (by OWM)
3. 1" glass and glazing (by others)
4. Weather stripping
5. Metro hinge
6. Metro handle (other options available)
7. Thermal break



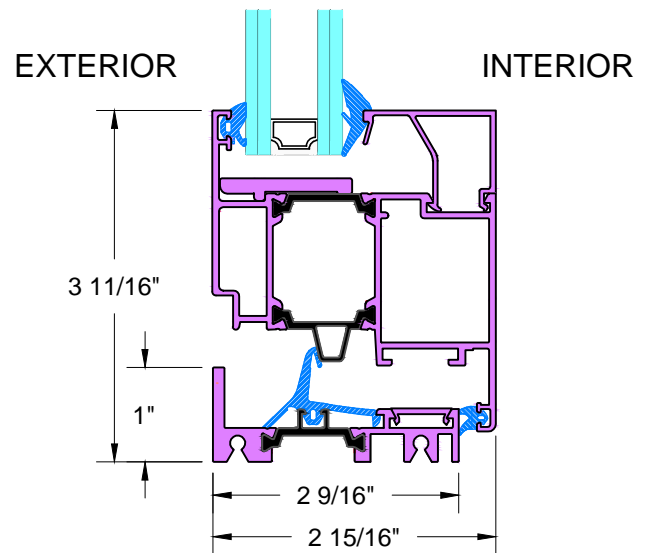
INSWING TERRACE DOOR



**A&B** TYPICAL HINGED JAMB



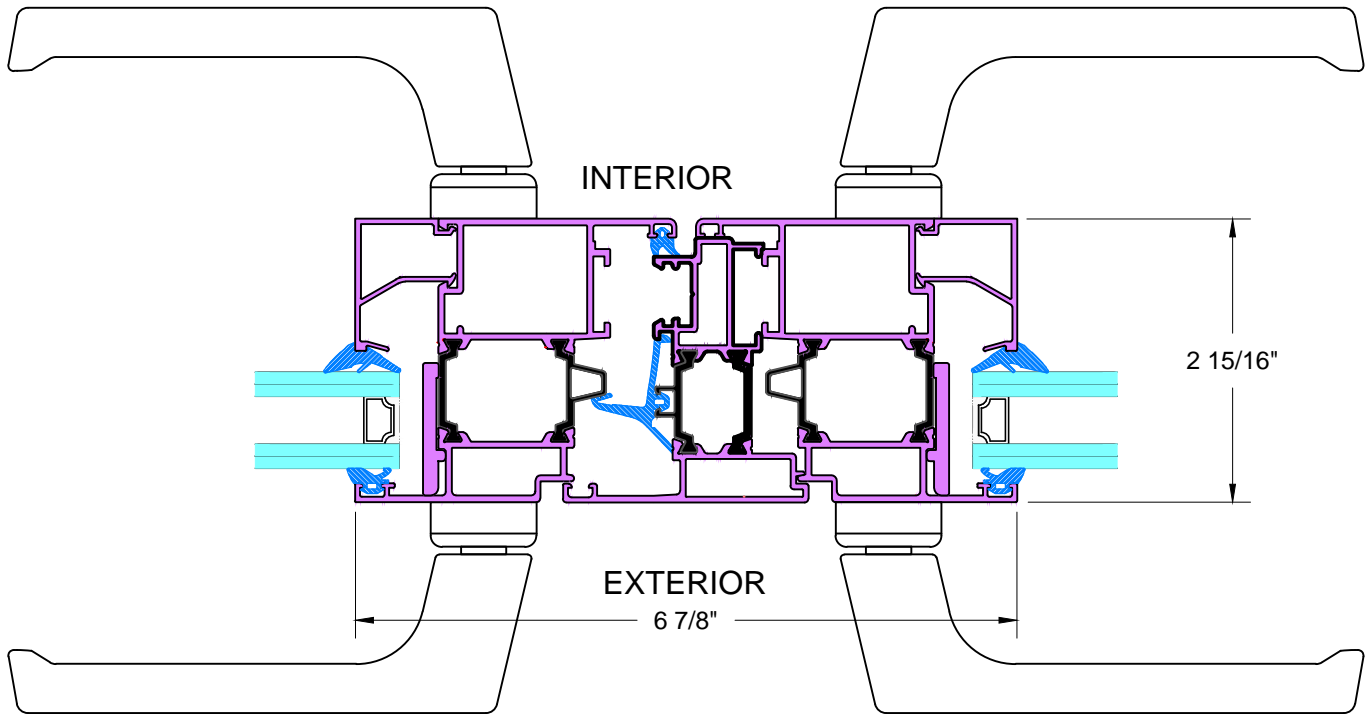
**C** TYPICAL LOCKING JAMB



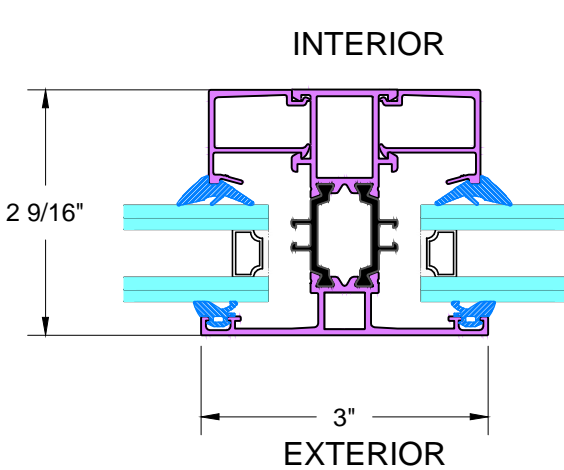
**D** TYPICAL HEAD

**E** TYPICAL KICKPLATE

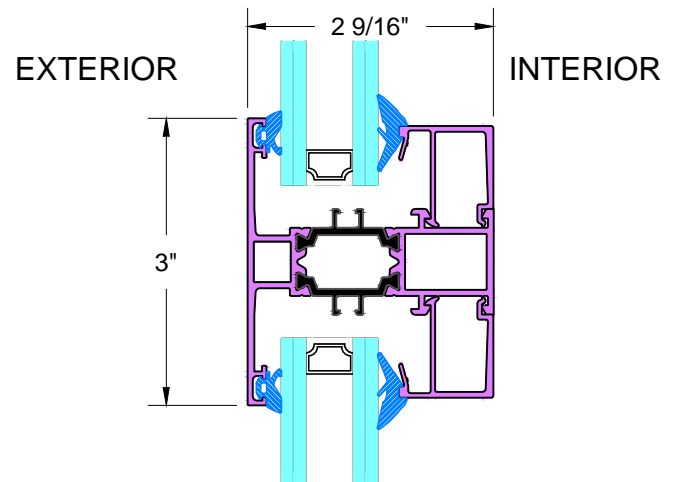
INSWING TERRACE DOOR



**F** TYPICAL FRENCH MEETING RAIL

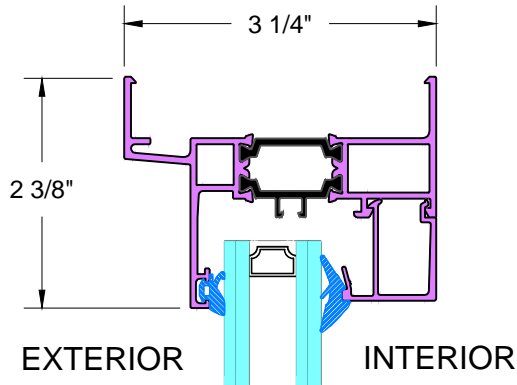


**G** TYPICAL VERTICAL MUNTIN

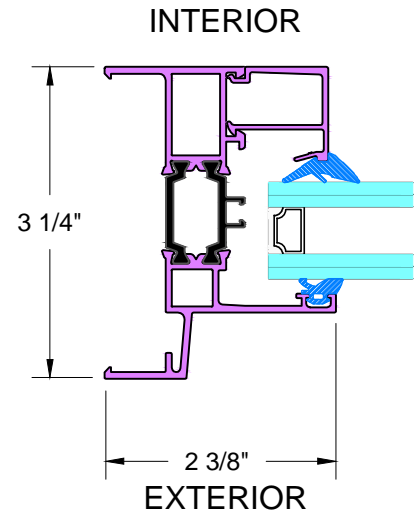


**H** TYPICAL HORIZONTAL MUNTIN

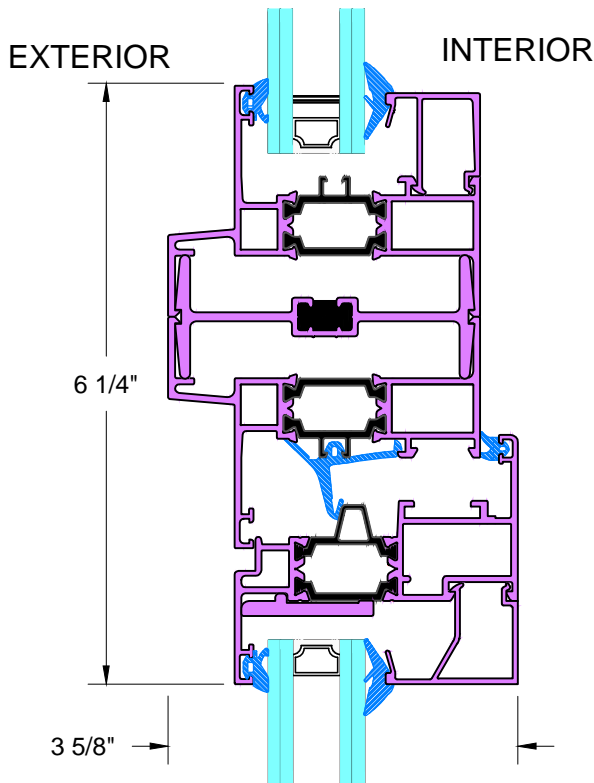
INSWING TERRACE DOOR



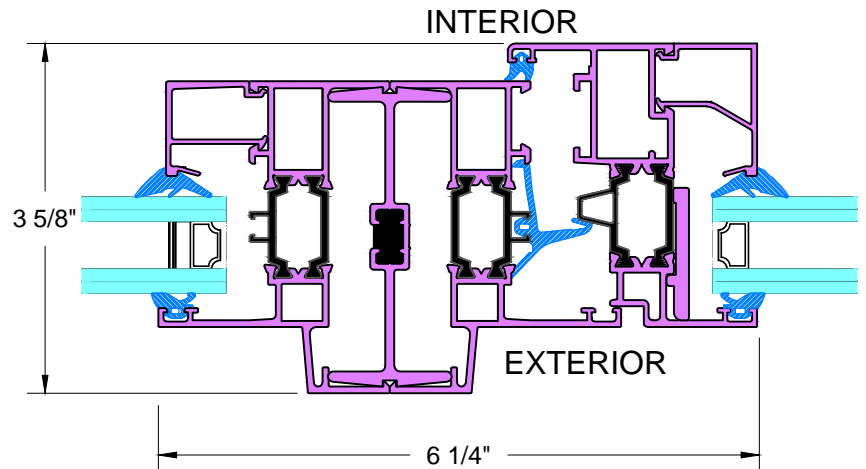
**J&K** TYPICAL FIXED HEAD & SILL



**L&M** TYPICAL FIXED JAMB



**N** TYPICAL STACKING MULLION



**P** TYPICAL JOINING MULLION