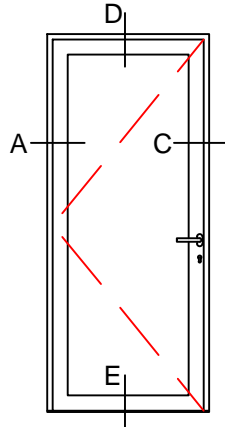
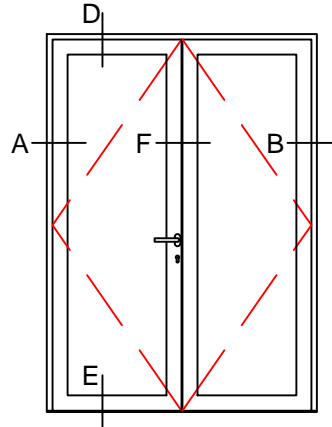




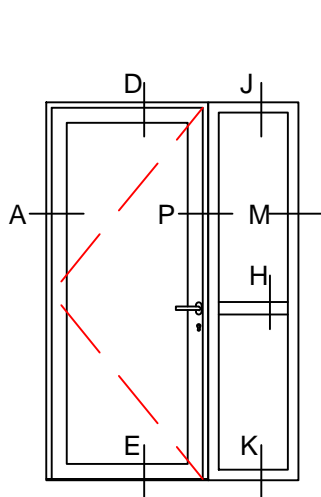
OUTSWING TERRACE DOOR



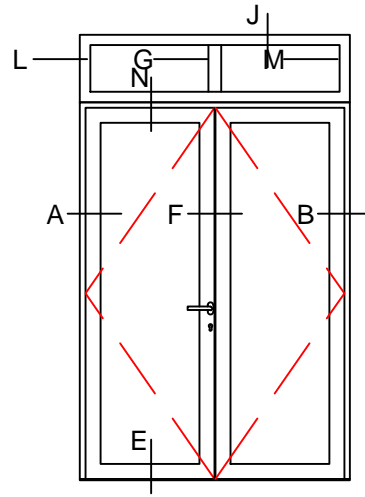
680-11-OTD



680-21-FR-OTD



680-22-OTD-FX

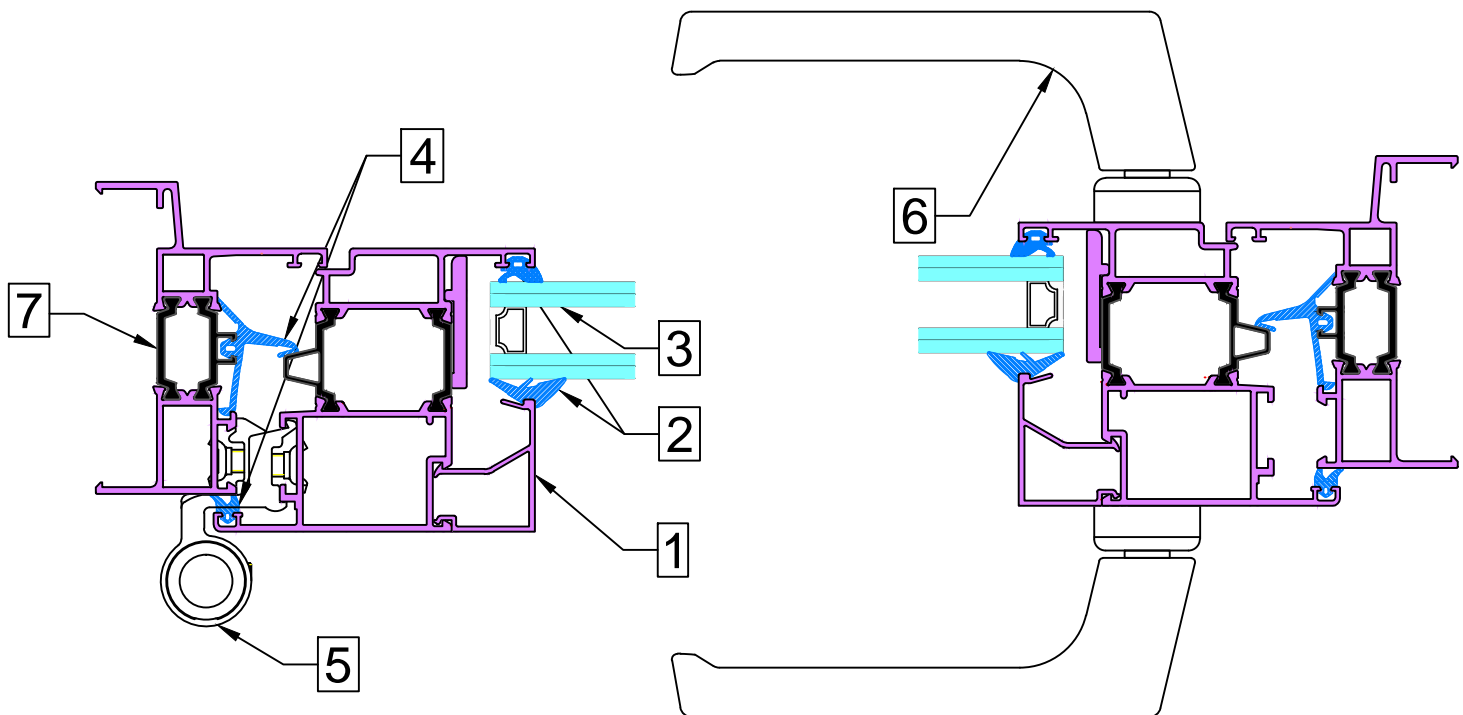


680-22-FR-OTD-FX

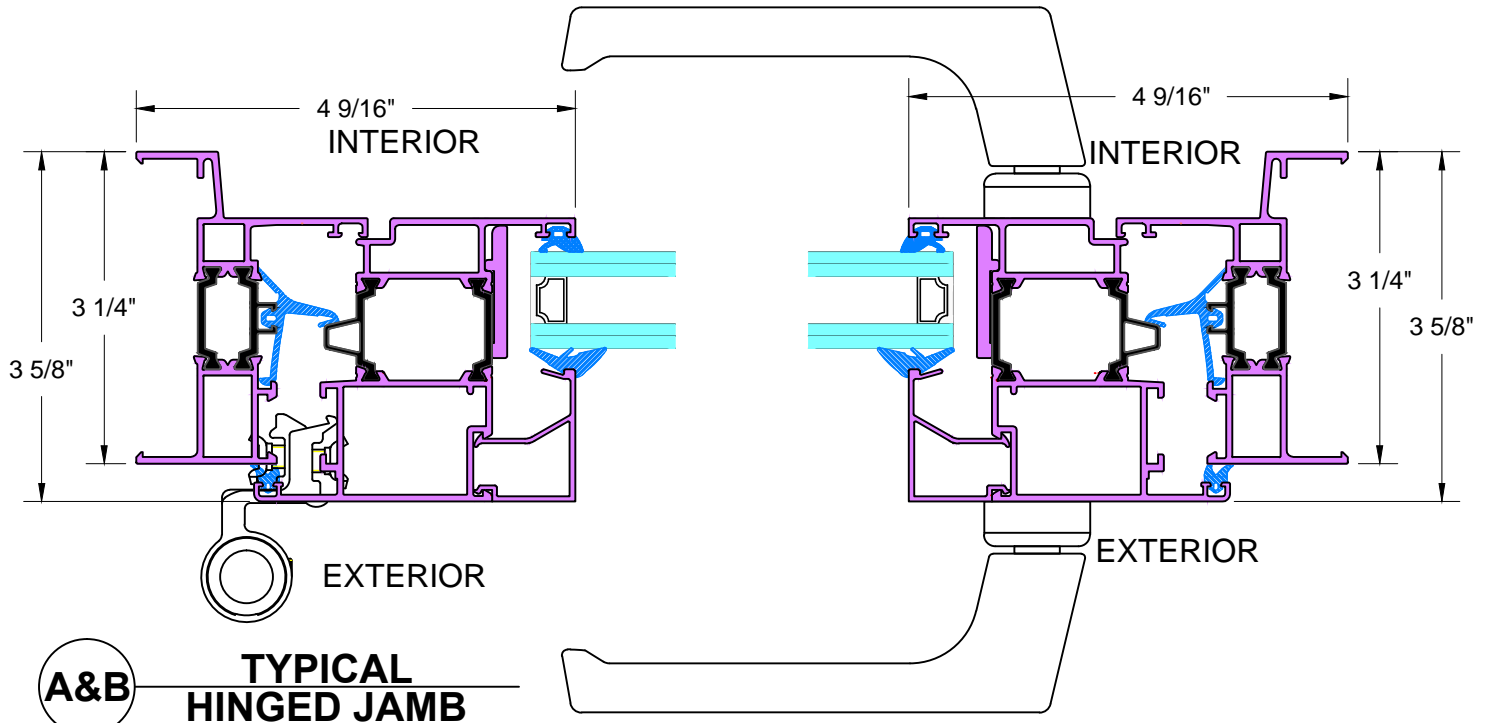
OUTSWING TERRACE DOOR

KEY (TYPICAL)

1. Snap in aluminum glazing bead
2. Extruded EPDM wedge gasket (by OWM)
3. 1" glass and glazing (by others)
4. Weather stripping
5. Metro hinge
6. Metro handle (other options available)
7. Thermal break

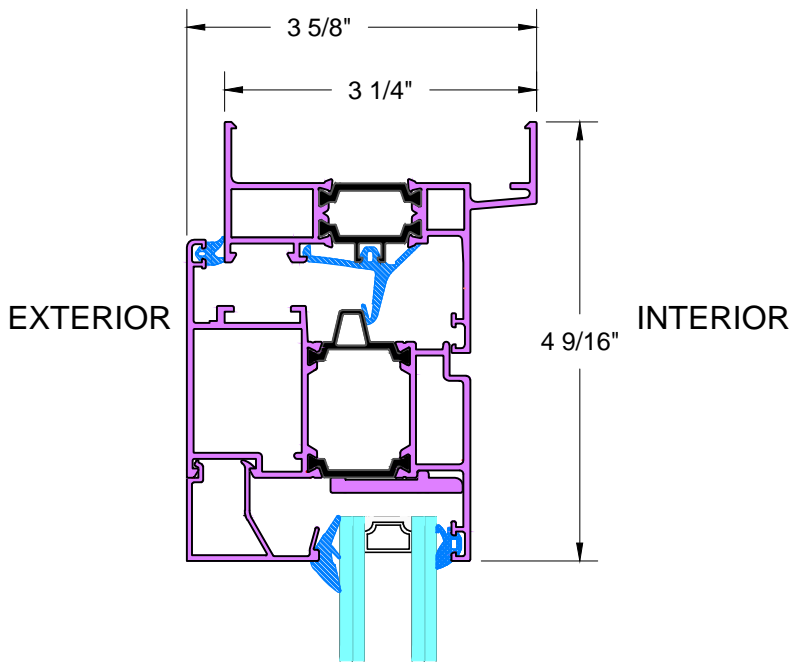


OUTSWING TERRACE DOOR

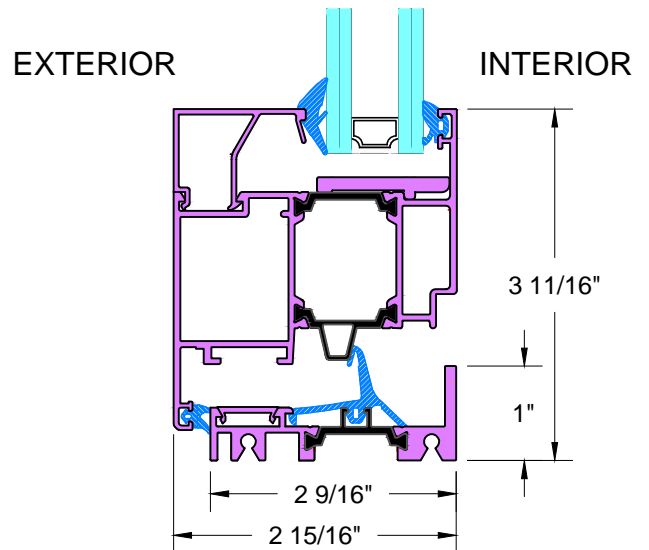


A&B TYPICAL HINGED JAMB

C TYPICAL LOCKING JAMB

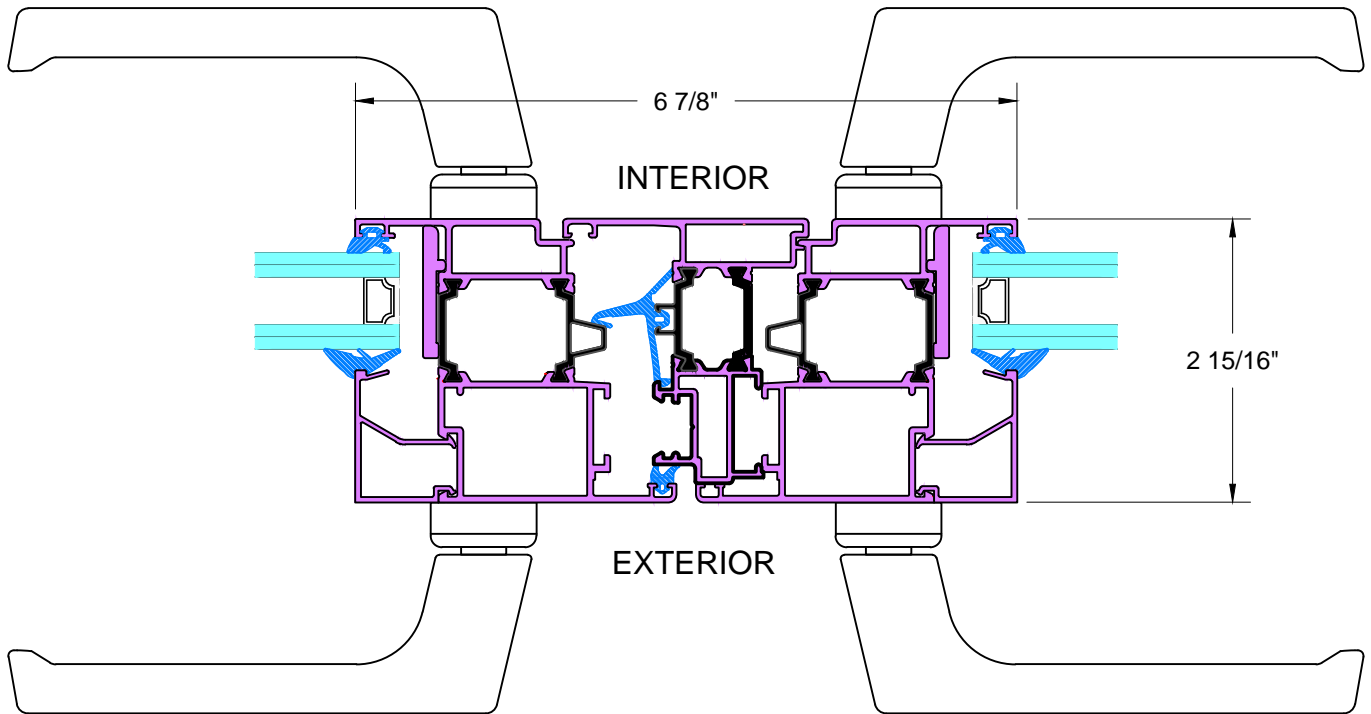


D TYPICAL HEAD

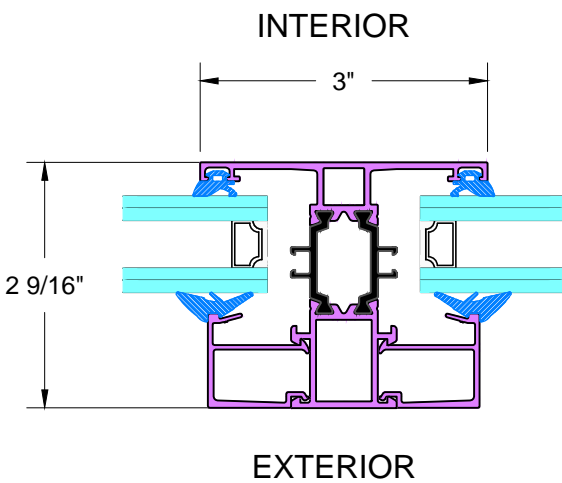


E TYPICAL KICKPLATE

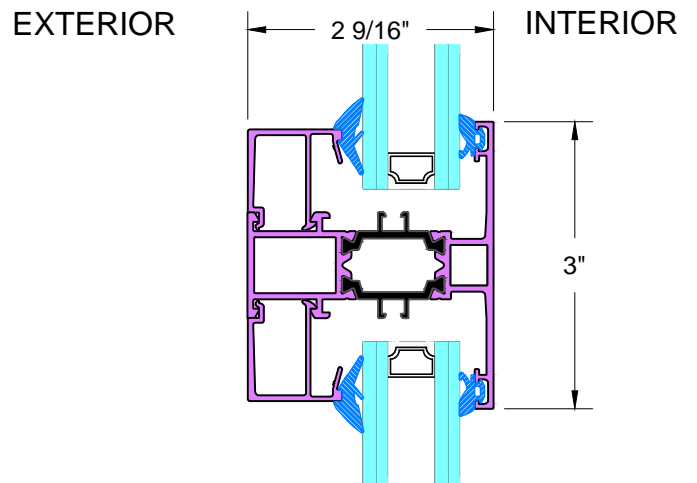
OUTSWING TERRACE DOOR



F TYPICAL FRENCH MEETING RAIL

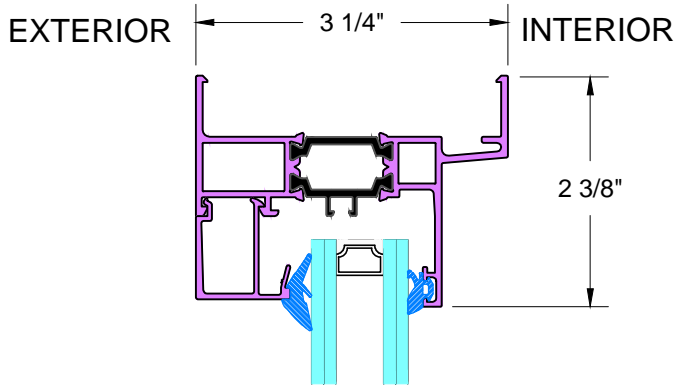


G TYPICAL VERTICAL MUNTIN

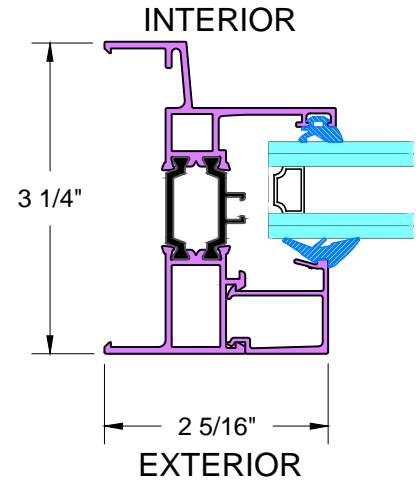


H TYPICAL HORIZONTAL MUNTIN

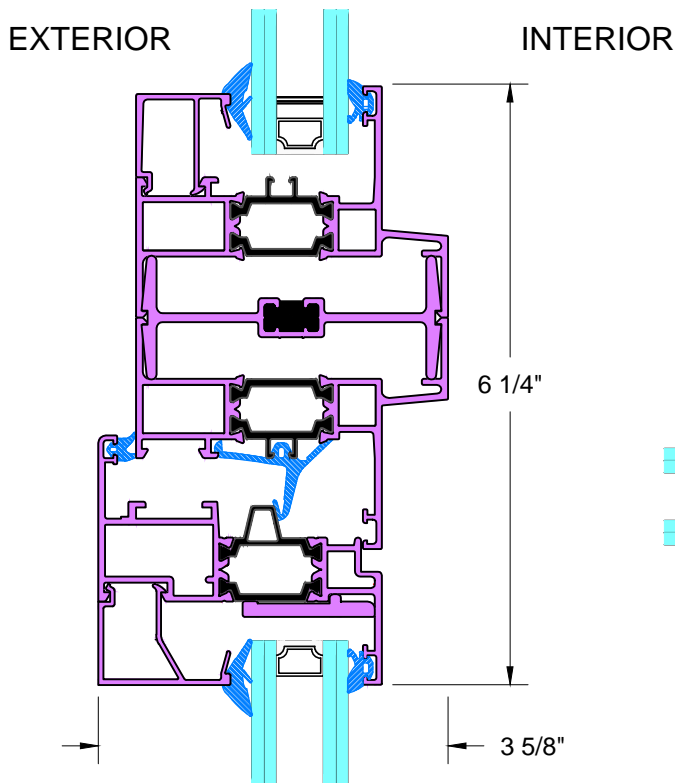
OUTSWING TERRACE DOOR



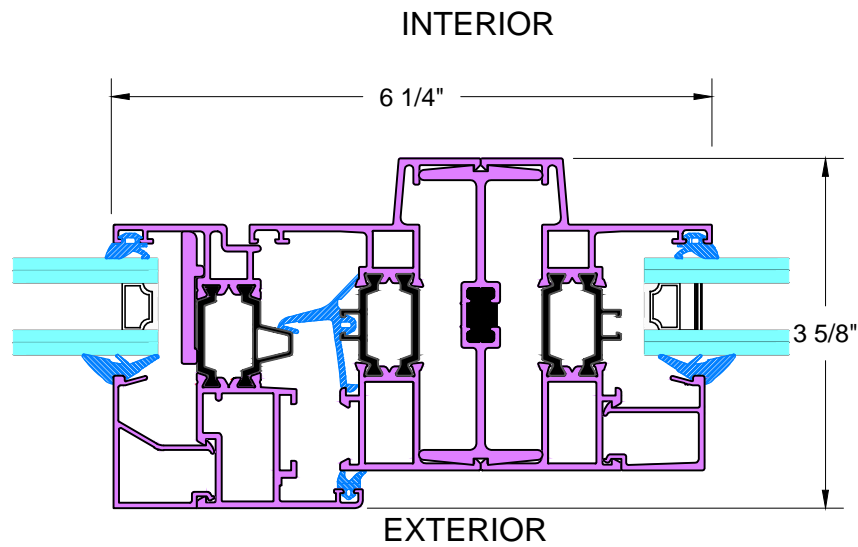
J&K TYPICAL FIXED HEAD & SILL



L&M TYPICAL FIXED JAMB



N TYPICAL STACKING MULLION



P TYPICAL JOINING MULLION