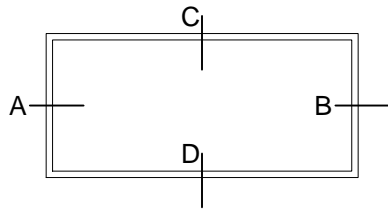


**FIRE RATING: 45 MINUTES**

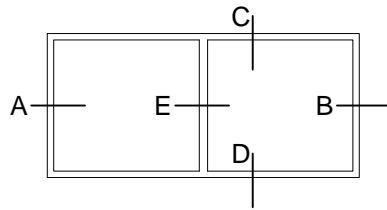
FIRE-RATED HOT-ROLLED STEEL FIXED WINDOW



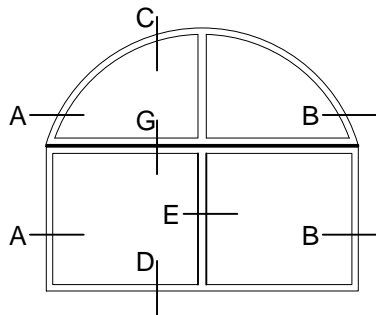
UL CLASSIFIED & LABELED



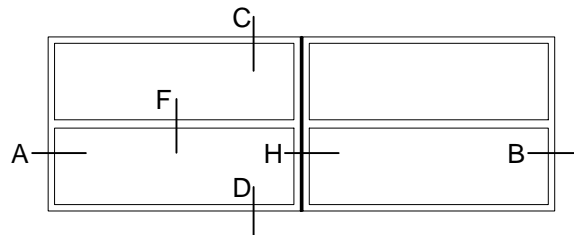
FR4711-FX



FR4721-FX



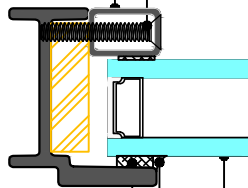
FR4722-FX2 ARCH



FR4722-FX2

MECHANICALLY FASTENED STEEL GLAZING BEAD  
(BY OWM)

MACHINE SCREW  
(BY OWM)



FIRE RATED GLASS AND GLAZING  
(BY OWM)

FOAM GLAZING TAPE  
(BY OWM)

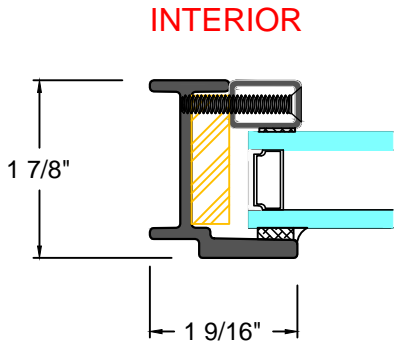
SILICONE CAP BEAD  
(BY OWM)

**FIRE RATING: 45 MINUTES**

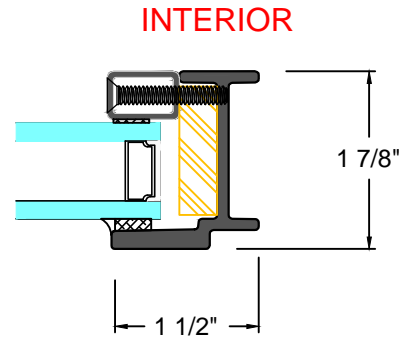
FIRE-RATED HOT-ROLLED STEEL FIXED WINDOW



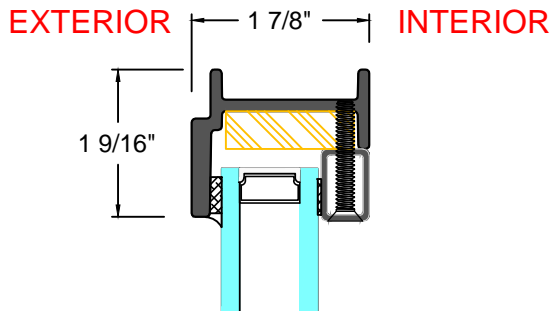
UL CLASSIFIED & LABELED



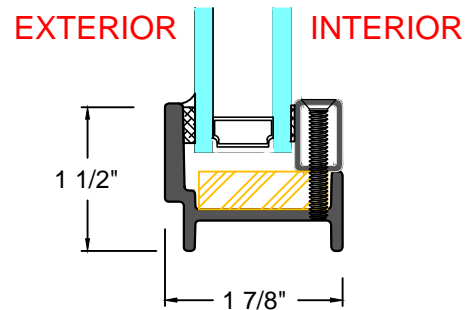
**A** TYPICAL LEFT JAMB



**B** TYPICAL RIGHT JAMB



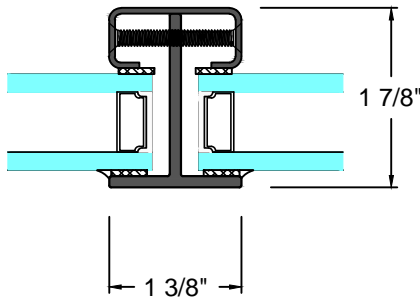
**C** TYPICAL HEAD



**D** TYPICAL SILL

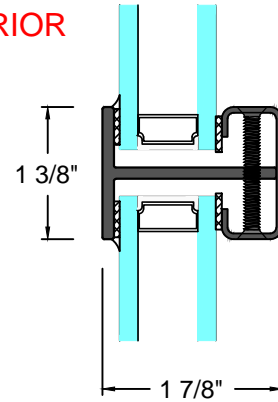


INTERIOR



EXTERIOR

INTERIOR



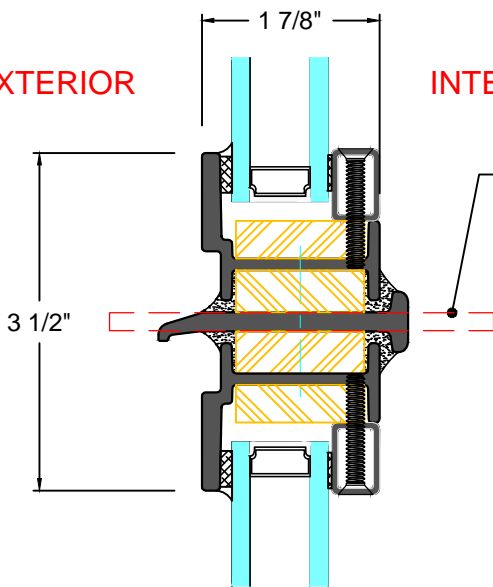
EXTERIOR

**E** TYPICAL VERTICAL MUNTIN

**F** TYPICAL HORIZONTAL MUNTIN

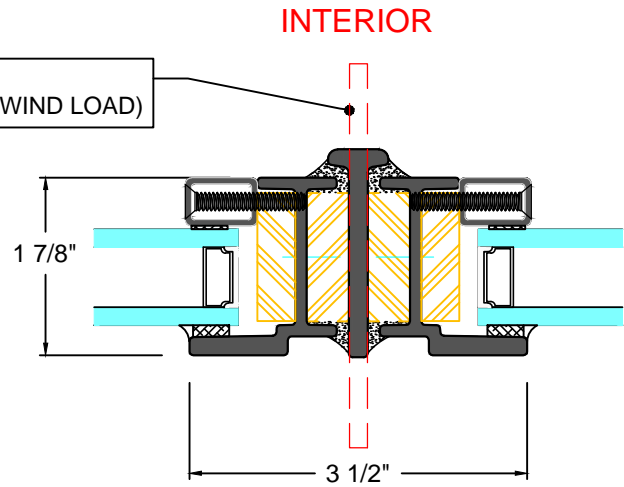
EXTERIOR

INTERIOR



FLAT BAR  
(MAY VARY UPON WIND LOAD)

INTERIOR

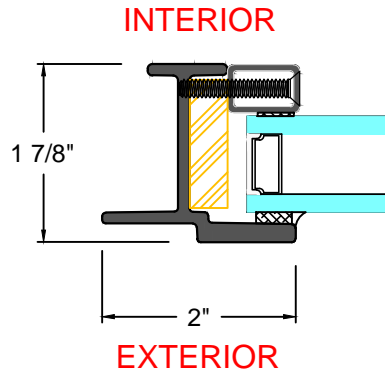
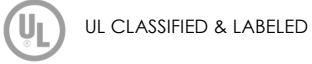


**G** TYPICAL STACKING MULLION

**H** TYPICAL JOINING MULLION

FIRE RATING: 45 MINUTES

FIRE-RATED HOT-ROLLED STEEL FIXED WINDOW



**1** TYPICAL EXTERIOR FLANGE

