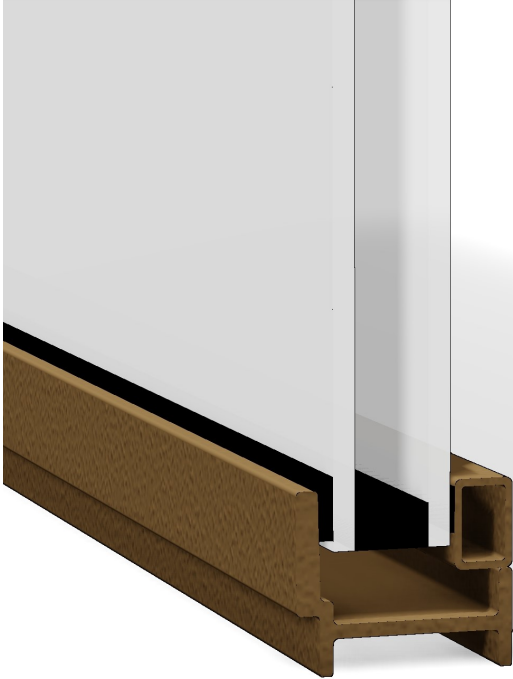


FIRE RATING: 45 MINUTES

FIRE-RATED HOT-ROLLED STEEL FIXED WINDOW



PRODUCT DESCRIPTION

Optimum's 45-Minute Fire-Rated Hot-Rolled Fixed Windows are used in non-temperature rise applications and through various glazing options, can be modified to address most fire-rated applications. Its narrow profiles provide open vision areas that allow natural daylight without compromising life-safety and design flexibility. The entire Fire-Rated line has been through rigorous testing. Initially, a "heat test" is performed where the window is exposed to temperatures up to 1600 degrees Fahrenheit. They will then endure the "Hose Stream Test", wherein which the glass holds fast even during this extreme change in temperature. Where other units of different material will react poorly when placed under these extreme conditions, Optimum's Fire-Rated Steel Window will hold and maintain its integrity.



AUTHORIZED DIMENSIONS

45 Mins

Maximum Frame Dimension	60" x 120"
Wire Glass Max. Exposed Area	1,296 in ²
Ceramic Glass Max. Exposed Area	3,325 in ²



UL CLASSIFIED & LABELED



NON-TEMPERATURE RISE



HOSE STREAM TESTED



POSITIVE PRESSURE

FEATURES

- Fire rating of 45 Minutes
- Solid Hot-Rolled steel sections
- Fully welded corners
- Narrow steel profiles
- Can accommodate glazing ranging from 3/16" to 1" in O.A. thickness
- Factory glazed with mechanically fastened steel glazing beads
- Powder Coated finish; Non-Metallic Custom Color match Available

AVAILABLE OPTIONS:

- Wire or Ceramic Glass
- Low-E Coated IGU
- Safety Impact Glass available
- Surface Applied Grids (spacers between glass n/a)
- Exterior or Interior flanged frame
- Installation Straps
- Break Metal for Trim
- Steel L-Angle Glazing Bead

NOTE: This product is intended for use in locations requiring fire-protective rated openings.

FIRE RATING: 45 MINUTES

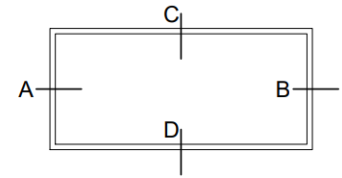
FIRE-RATED HOT-ROLLED STEEL FIXED WINDOW

LISTINGS/STANDARDS

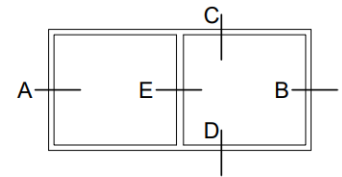
Classified and labeled by Underwriters Laboratories Inc.® and Underwriters Laboratories of Canada®. File numbers R12349. Tests performed in accordance with:

UL 9	NFPA 80	ASTM E283	NFRC 100
UL10C	NFPA 257	ASTM E331	NFRC 200
		ASTM E330	NFRC 400
			NFRC 500

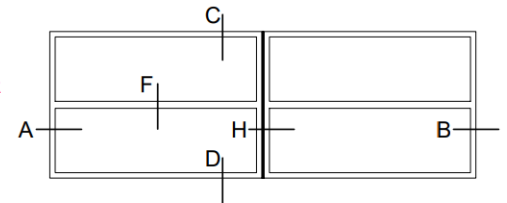
DETAILS: For complete set, visit: www.OptimumWindow.com



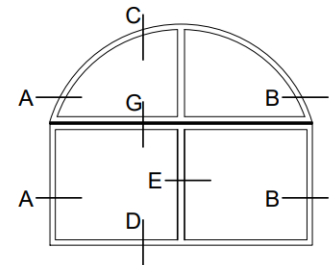
FR4711-FX



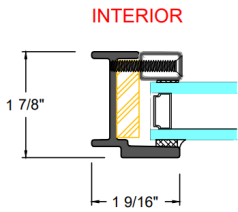
FR4721-FX



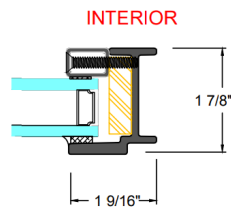
FR4722-FX2



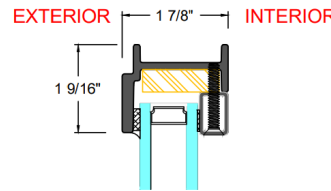
FR4722-FX2 ARCH



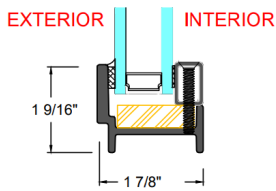
A TYPICAL LEFT JAMB



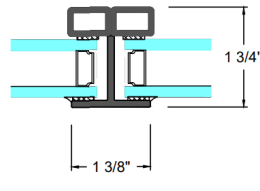
B TYPICAL RIGHT JAMB



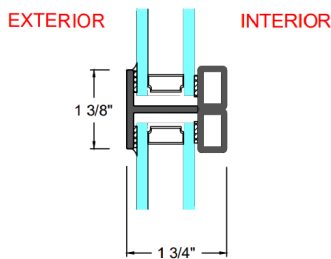
C TYPICAL HEAD



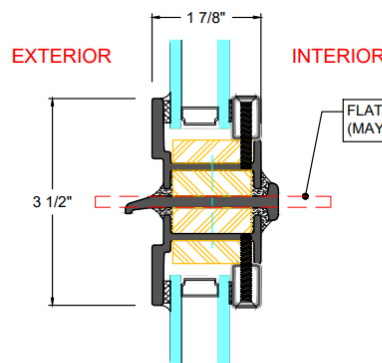
D TYPICAL SILL



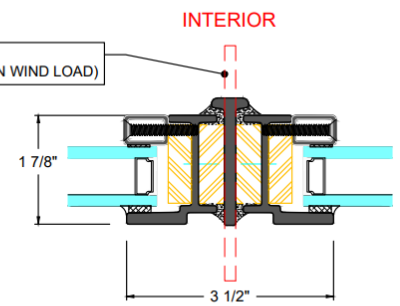
E TYPICAL VERTICAL MUNTIN



F TYPICAL HORIZONTAL MUNTIN



G TYPICAL STACKING MULLION



H TYPICAL JOINING MULLION

NOTE: This product is intended for use in locations requiring fire-protective rated openings.