

FIRE RATING: 45 MINUTES

FIRE-RATED OPERABLE CASEMENT WINDOW



PRODUCT DESCRIPTION

Optimum's 45-Minute Fire-Rated Hot-Rolled Casement Windows are used in non-temperature rise applications and through various glazing options, can be modified to address most fire-rated applications. Its narrow profiles provide open vision areas that allow natural daylight without compromising life-safety and design flexibility. The entire Fire-Rated line has been through rigorous testing. Initially, a "heat test" is performed where the window is exposed to temperatures up to 1600 degrees Fahrenheit. They will then endure the "Hose Stream Test", wherein which the glass holds fast even during this extreme change in temperature. Where other units of different material will react poorly when placed under these extreme conditions, Optimum's Fire-Rated Steel windows will hold and maintain its integrity.



UL CLASSIFIED & LABELED



HOSE STREAM TESTED



NON-TEMPERATURE RISE



POSITIVE PRESSURE

AUTHORIZED DIMENSIONS

	MIN	MAX.
Operable Dimension	18" x 24"	36" x 60"
Wire Glass Max. Exposed Area	n/a	1,296 in ²
Ceramic Glass Max. Exposed Area	n/a	3,325 in ²

FEATURES

- Solid Hot-Rolled steel sections
- Fully Weather-Stripped frame
- Mitered & Fully welded corners
- Can accommodate glazing ranging from 3/16" to 1" in O.A. thickness
- Factory glazed with mechanically fastened steel glazing beads
- Spring loaded hinges & Self Closing mechanism with fusible link
- Double Casement window available
- Equipped with (1) Cam lock at center of sash up to 36" in height (two thereafter)
- Zinc Enrich Epoxy Primer and Powder Coated finish

NOTE: This product is intended for use in locations requiring fire-protective rated openings.

FIRE RATING: 45 MINUTES

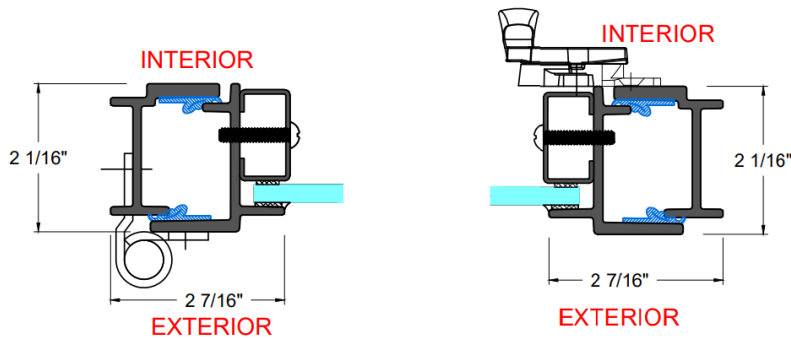
FIRE-RATED OPERABLE CASEMENT WINDOW

LISTINGS/STANDARDS

Classified and labeled by Underwriters Laboratories Inc.® and Underwriters Laboratories of Canada®. File numbers R12349. Tests performed in accordance with:

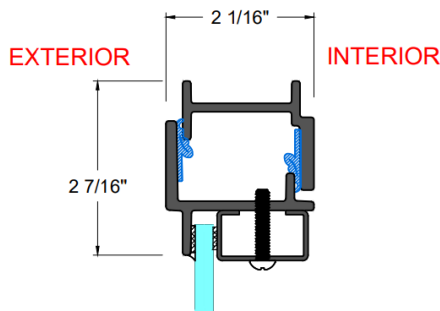
UL 9	NFPA 80	ASTM E283	NFRC 100
UL10C	NFPA 257	ASTM E331	NFRC 200
		ASTM E330	NFRC 400
			NFRC 500

DETAILS: For complete set, visit: www.OptimumWindow.com



A&B TYPICAL HINGED JAMB

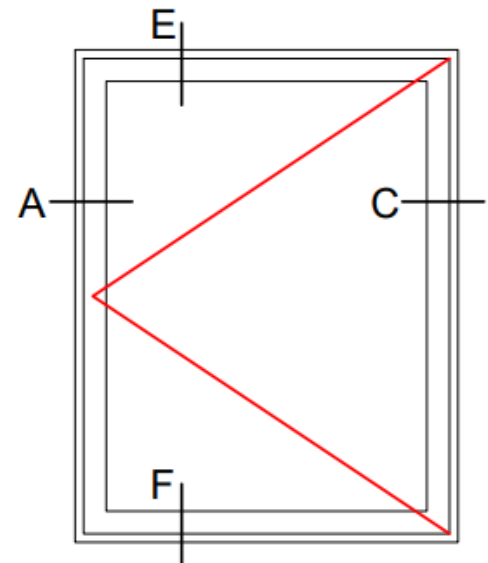
C TYPICAL LOCKING JAMB



E&F TYPICAL HEAD & SILL

AVAILABLE OPTIONS:

- Non-Metallic Custom Color match
- Wire or Ceramic Glass
- Insulated Glass Units available
- Low-E Coated IGU
- Safety Impact Glass available
- Surface Applied Grids (spacers between glass n/a)
- Exterior or Interior flanged frame
- Insect Screens
- Double Casement window available
- Installation Straps
- Limit Stops
- Break Metal for Trim
- Steel L-Angle Glazing Bead



NOTE: This product is intended for use in locations requiring fire-protective rated openings.