






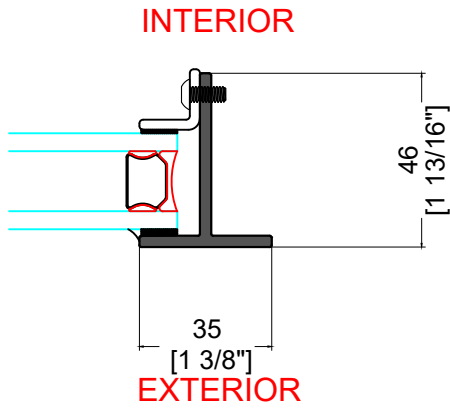


**FIRE RATING: 45 MINUTES**

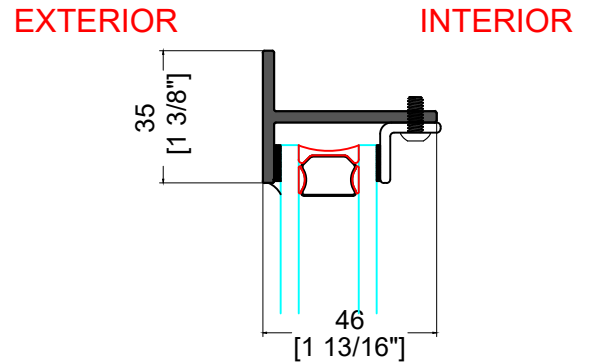
FIRE-RATED OPERABLE CASEMENT WINDOW

 UL CLASSIFIED & LABELED

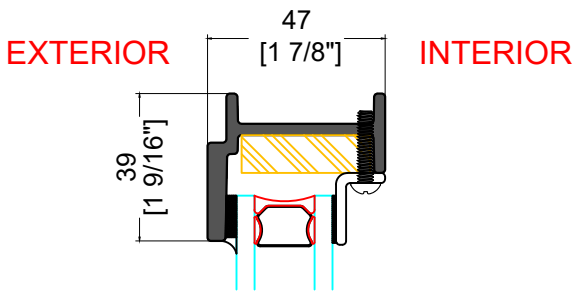
OUTSWING CASEMENT WINDOW



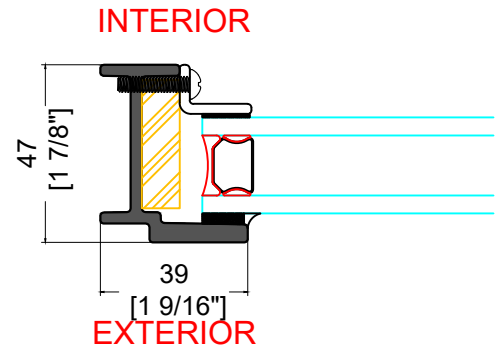
**G** TYPICAL VERTICAL MUNTIN



**H** TYPICAL HORIZONTAL MUNTIN



**I&J** TYPICAL FIXED HEAD & SILL



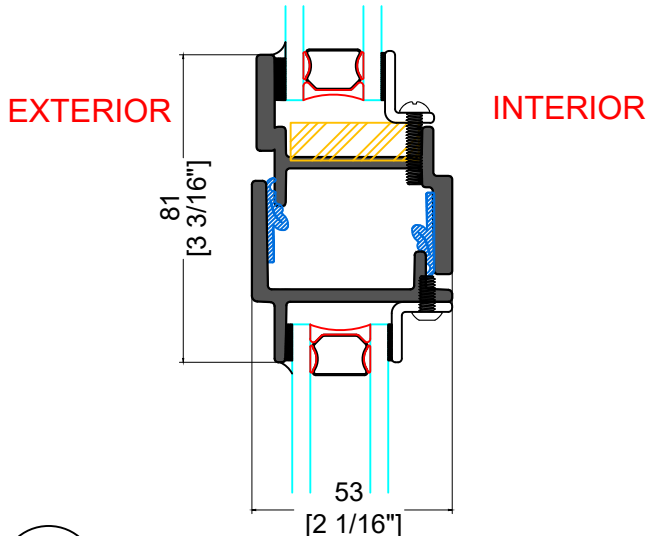
**K&L** TYPICAL FIXED JAMB

**FIRE RATING: 45 MINUTES**

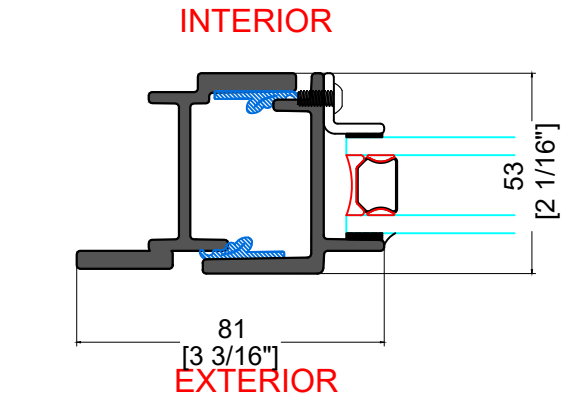
FIRE-RATED OPERABLE CASEMENT WINDOW

**UL** UL CLASSIFIED & LABELED

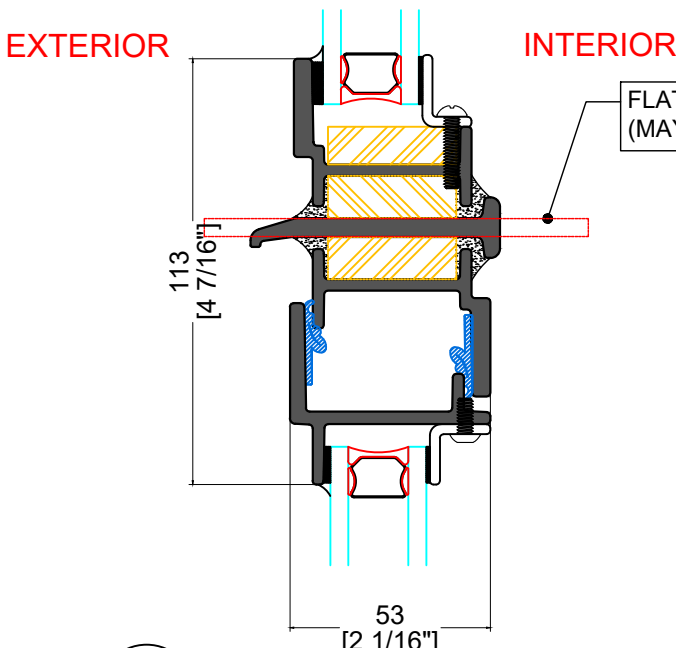
OUTSWING CASEMENT WINDOW



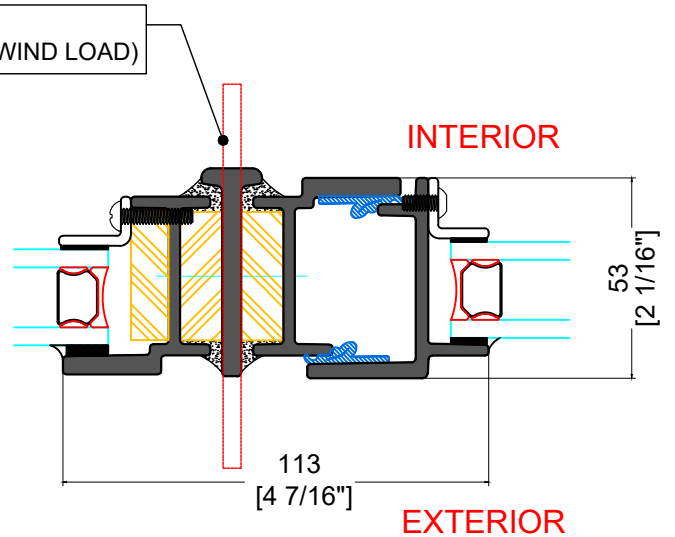
**M** TYPICAL HEAD W/ TRANSOM



**N** TYPICAL JAMB W/ SIDELITE




**M** TYPICAL STACKING MULLION



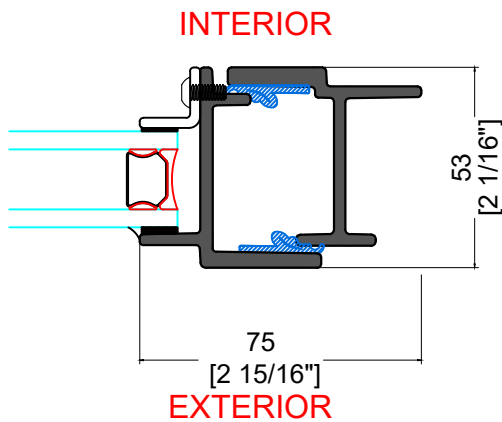
**N** TYPICAL JOINING MULLION

**FIRE RATING: 45 MINUTES**

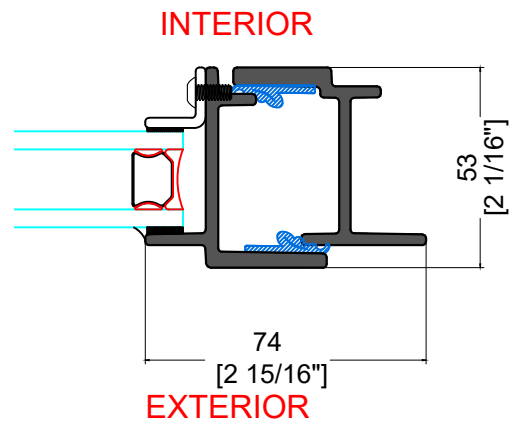
FIRE-RATED OPERABLE CASEMENT WINDOW

 UL CLASSIFIED & LABELED

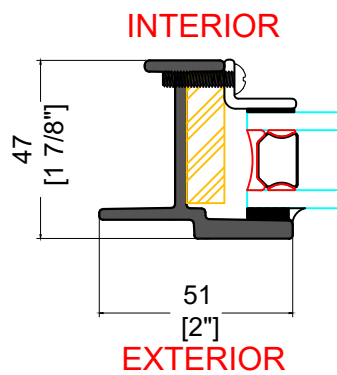
OUTSWING CASEMENT WINDOW



**1** TYPICAL JAMB INTERIOR FLANGE




**2** TYPICAL JAMB EXTERIOR FLANGE



**3** TYPICAL FIXED JAMB FLANGE

**FIRE RATING: 45 MINUTES**

FIRE-RATED OPERABLE CASEMENT WINDOW

 UL CLASSIFIED & LABELED

OUTSWING CASEMENT WINDOW

