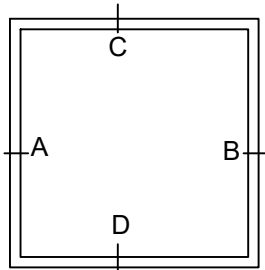


FIRE RATING: 45/60/90 MINUTES

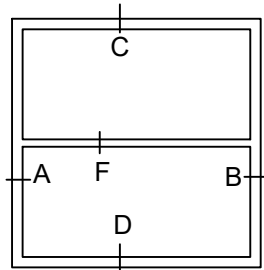
FIRE-RATED COLD-ROLLED STEEL FIXED WINDOW



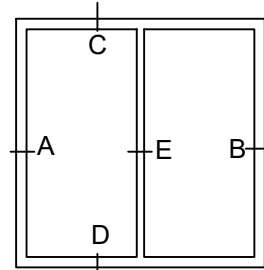
UL CLASSIFIED & LABELED



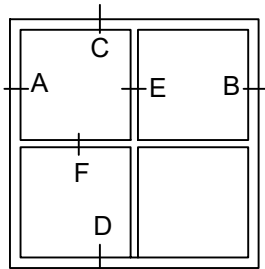
6011



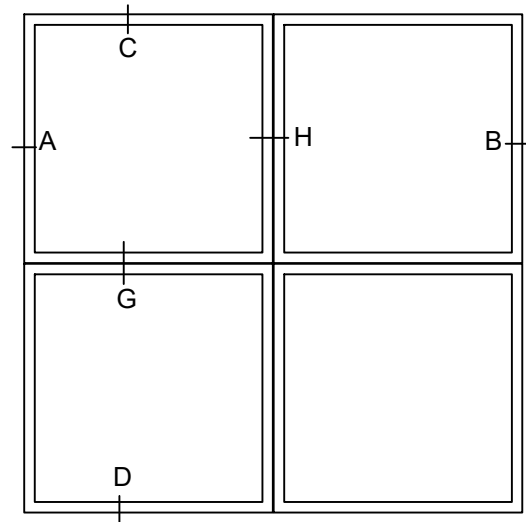
6012



6021



6022

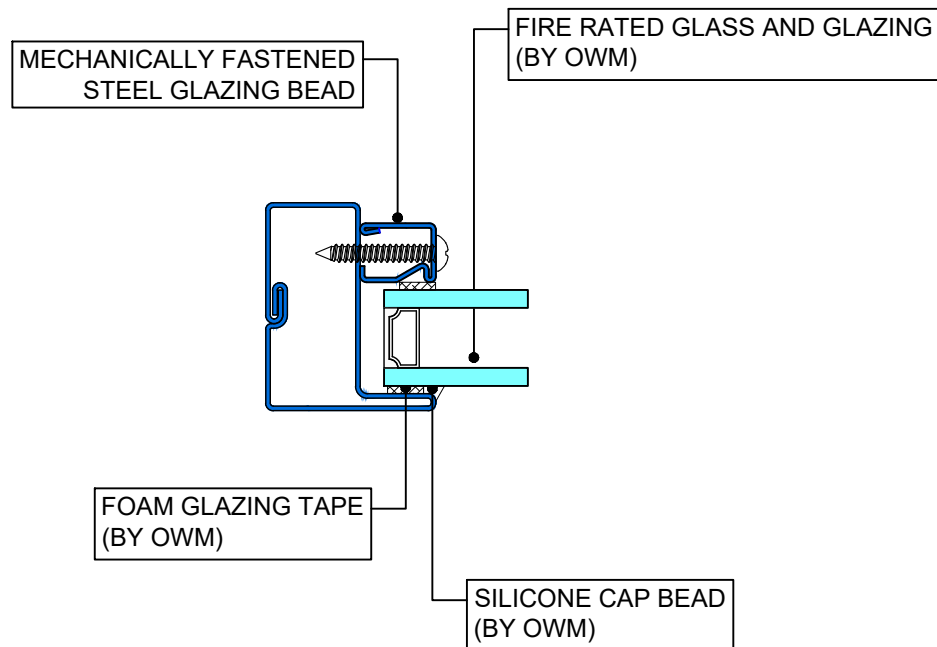


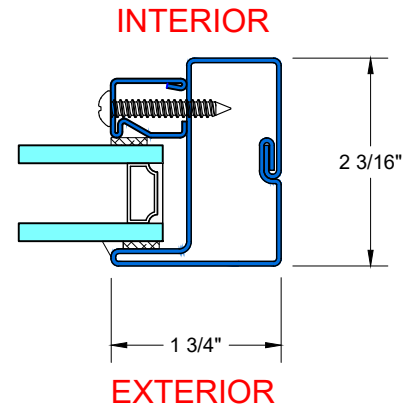
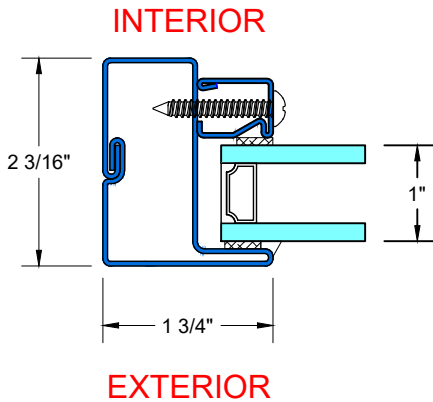
6012

6012

FIRE RATING: 45/60/90 MINUTES

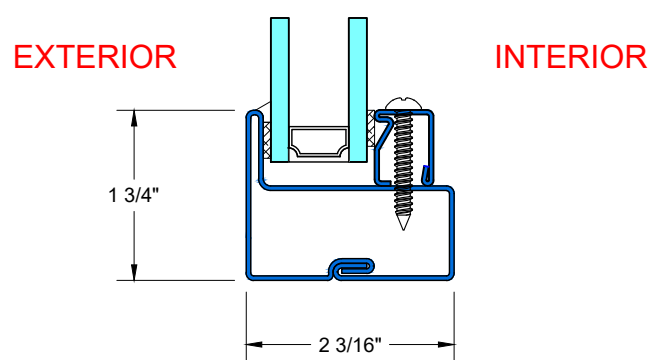
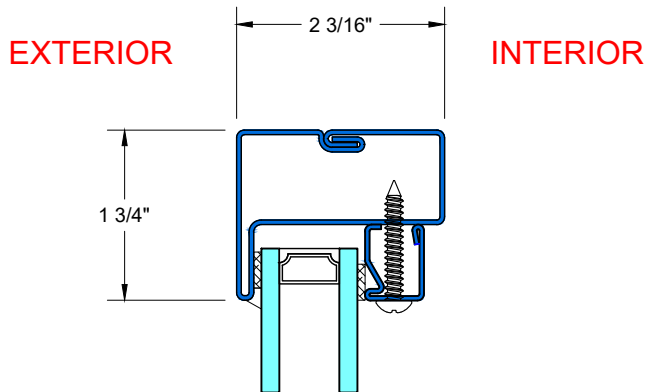
FIRE-RATED COLD-ROLLED STEEL FIXED WINDOW





**A** TYPICAL LEFT JAMB

**B** TYPICAL RIGHT JAMB

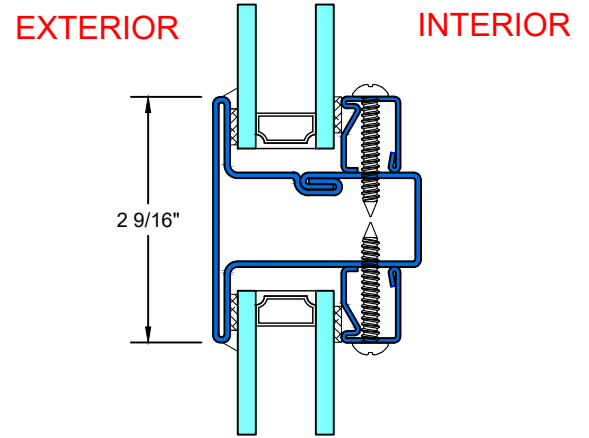
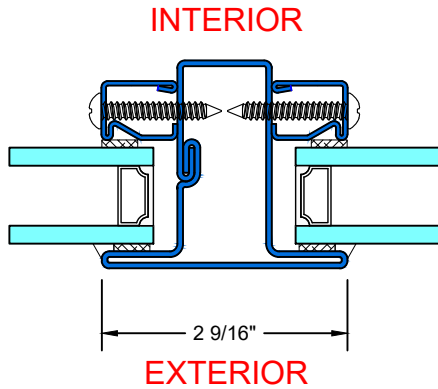


**C** TYPICAL FIXED HEAD

**D** TYPICAL FIXED SILL

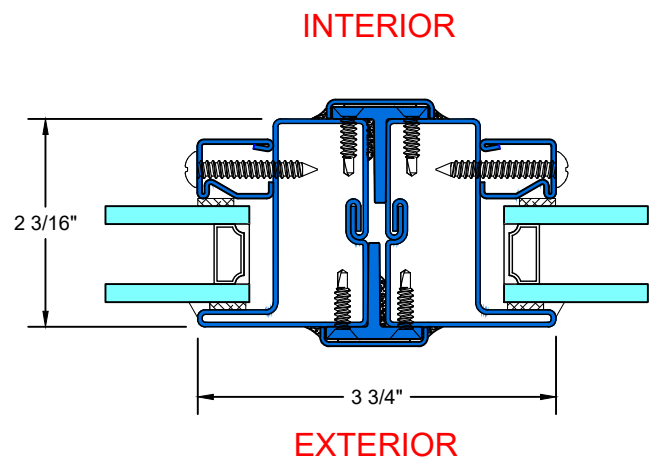
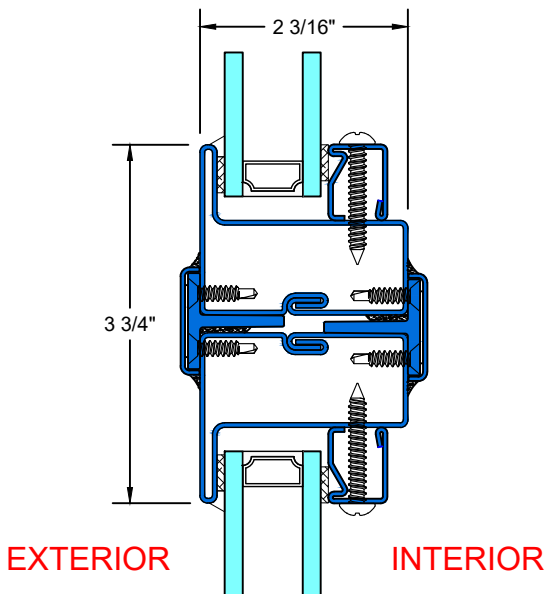
FIRE RATING: 45/60/90 MINUTES

FIRE-RATED COLD-ROLLED STEEL FIXED WINDOW



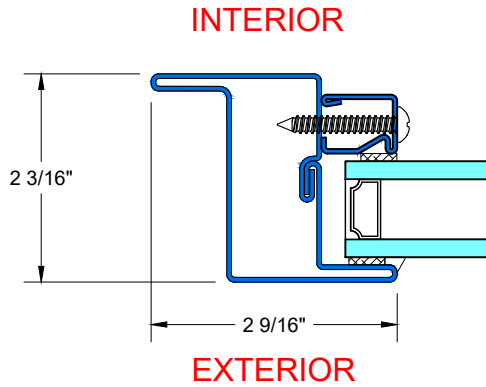
**E** TYPICAL VERTICAL MUNTIN

**F** TYPICAL HORIZONTAL MUNTIN

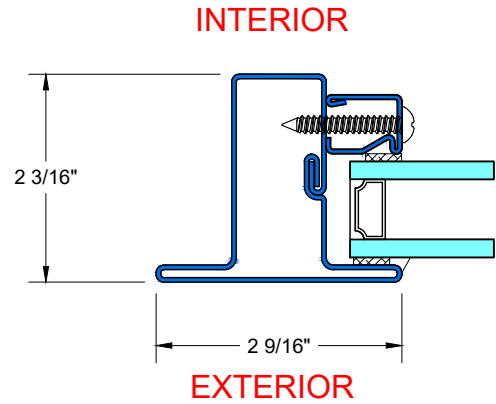


**G** TYPICAL STACKING MULLION

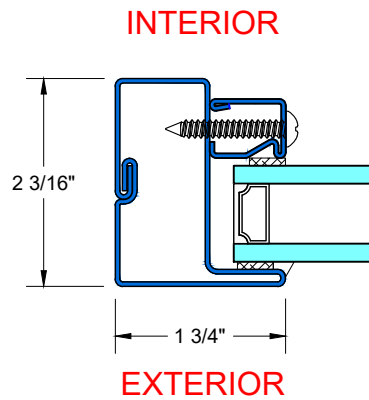
**H** TYPICAL JOINING MULLION



**1** TYPICAL FIXED  
INTERIOR FLANGE



**2** TYPICAL FIXED  
EXTERIOR FLANGE



**1** TYPICAL JAMB W/  
1" FIRE RATED GLASS