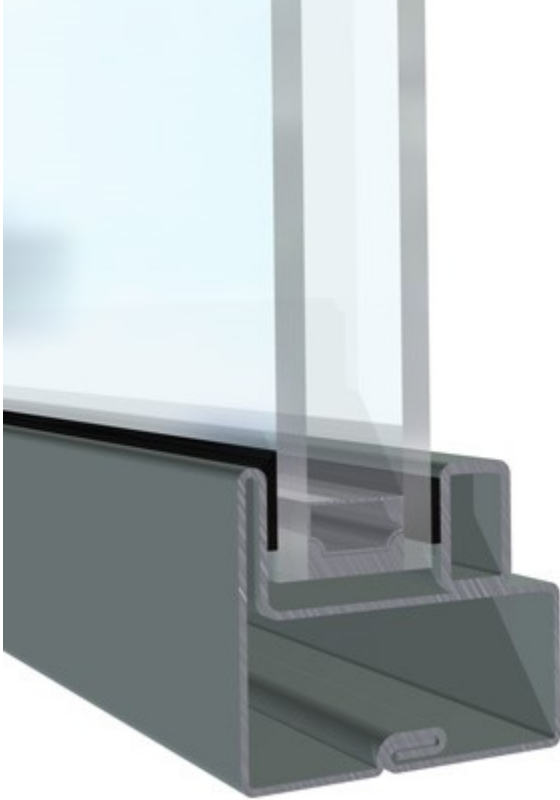


FIRE RATING: 45/60/90 MINUTES

FIRE-RATED COLD-ROLLED STEEL FIXED WINDOW



PRODUCT DESCRIPTION

Optimum's 45-90 Minute Fire-Rated Cold-Rolled Steel Fixed Windows are used in non-temperature rise applications and through various glazing options, can be modified to address most fire-rated applications. Its narrow profiles provide open vision areas that allow natural daylight without compromising life-safety and design flexibility. The entire Fire-Rated line has been through rigorous testing. Initially, a "heat test" is performed where the window/door is exposed to temperatures up to 1600 degrees Fahrenheit. They will then endure the "Hose Stream Test", wherein which the glass holds fast even during this extreme change in temperature. Where other units of different material will react poorly when placed under these extreme conditions, Optimum's Fire-Rated Steel Window will hold and maintain its integrity.



UL CLASSIFIED & LABELED



NON-TEMPERATURE RISE



HOSE STREAM TESTED



POSITIVE PRESSURE

AUTHORIZED DIMENSIONS

	45 Mins	60 Mins	90 Mins
Maximum Frame Dimension	60" x 120"	60" x 120"	60" x 120"
Wire Glass Max. Exposed Area	1,296 in ²	n/a	n/a
Ceramic Glass Max. Exposed Area	3,325 in ²	3,325 in ²	2,627 in ²

FEATURES

- Cold-Rolled sections formed from GALVANIZED STEEL
- Mitered, corner keyed frame and sash joinery
- Narrow steel profiles
- Can accommodate glazing ranging from 3/16" to 1" in O.A. thickness
- Factory glazed with mechanically fastened steel glazing beads
- Zinc Enrich Epoxy Primer and Powder Coated finish
- 45 Min Rating w/ Wire Glass; 60 & 90 Min Ratings w/ Ceramic Glass

AVAILABLE OPTIONS:

- Non-Metallic Custom Color match
- Insulated Glass Units available
- Low-E Coated IGU
- Safety Impact Glass available
- Surface Applied Grids (spacers between glass n/a)
- Exterior or Interior flanged frame
- Two-Tone Finish
- Break Metal for trim

NOTE: This product is intended for use in locations requiring fire-protective rated openings.

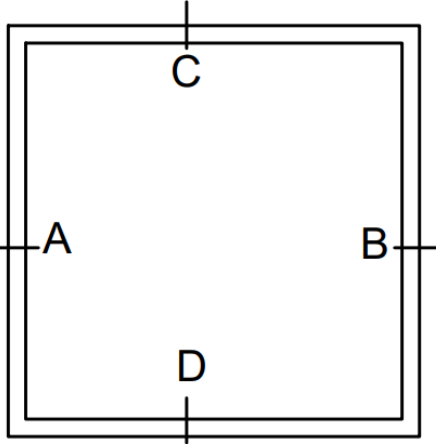
FIRE RATING: 45/60/90 MINUTES

FIRE-RATED COLD-ROLLED STEEL FIXED WINDOW

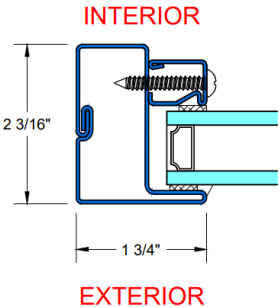
LISTINGS/STANDARDS

Classified and labeled by Underwriters Laboratories Inc.® and Underwriters Laboratories of Canada®. File numbers R12349. Tests performed in accordance with:

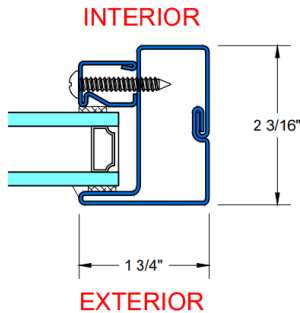
UL 9	NFPA 80	ASTM E283	NFRC 100
UL10C	NFPA 257	ASTM E331	NFRC 200
		ASTM E330	NFRC 400
			NFRC 500



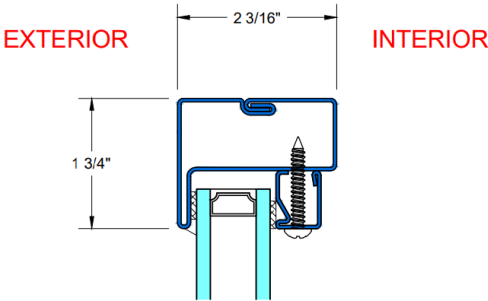
DETAILS: For complete set, visit: www.OptimumWindow.com



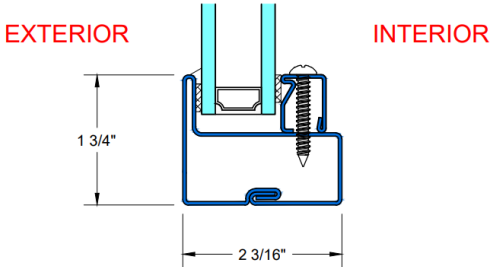
A TYPICAL LEFT JAMB



B TYPICAL RIGHT JAMB



C TYPICAL FIXED HEAD



D TYPICAL FIXED SILL

NOTE: This product is intended for use in locations requiring fire-protective rated openings.