

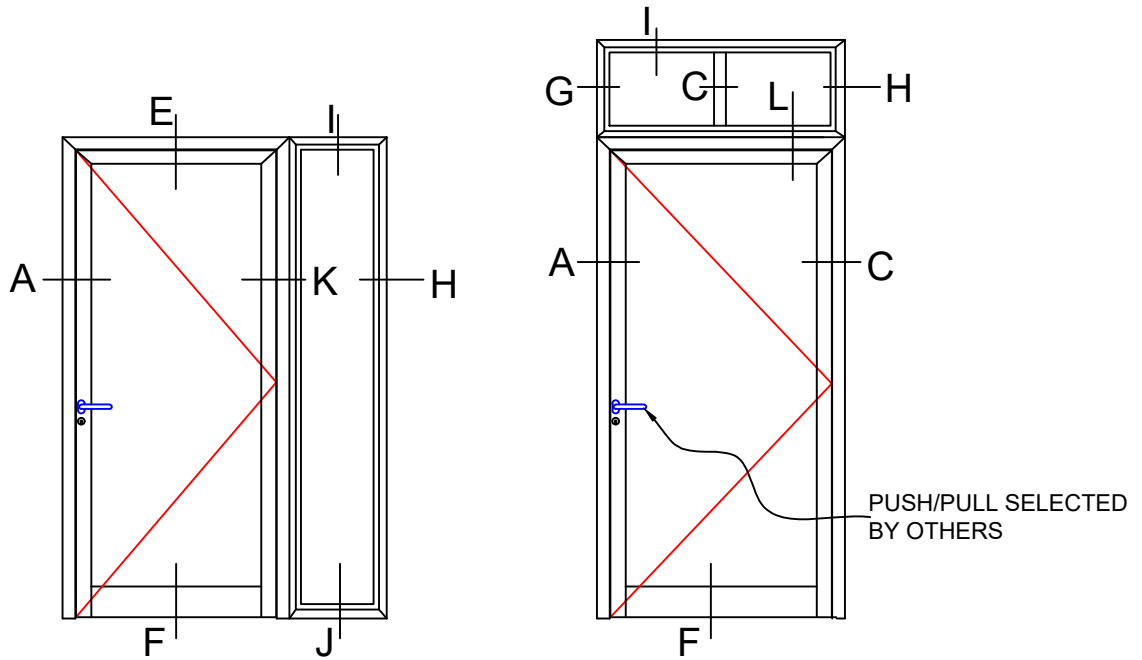
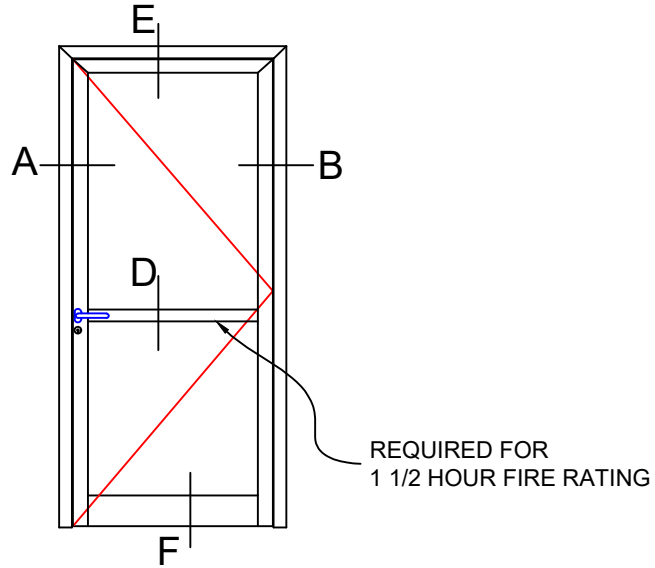
FIRE RATING: 45/60/90 MINUTES

FIRE-RATED SELF-CLOSING SWINGING DOOR



UL CLASSIFIED & LABELED

INSWING DOOR



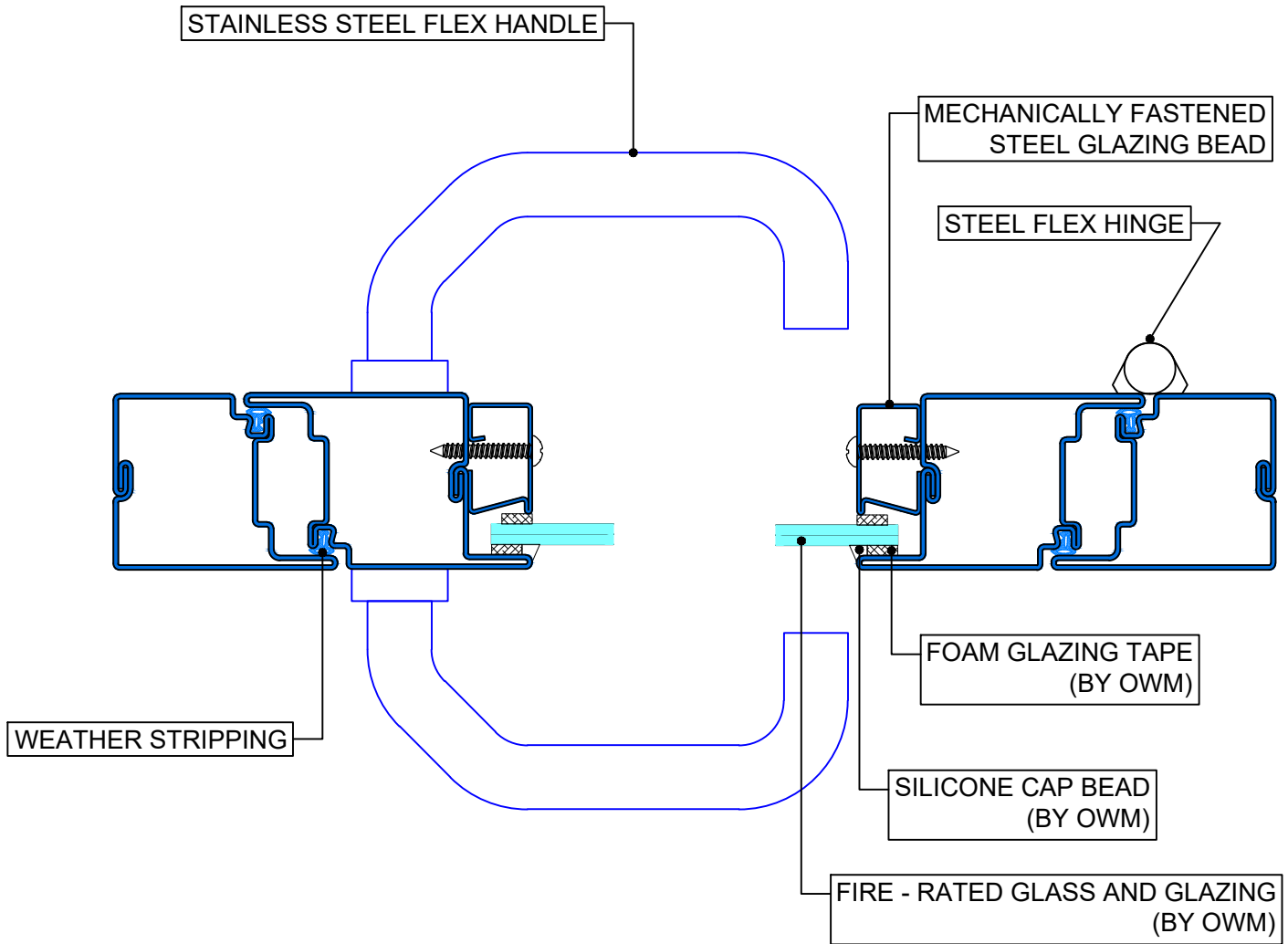
FIRE RATING: 45/60/90 MINUTES

FIRE-RATED SELF-CLOSING SWINGING DOOR



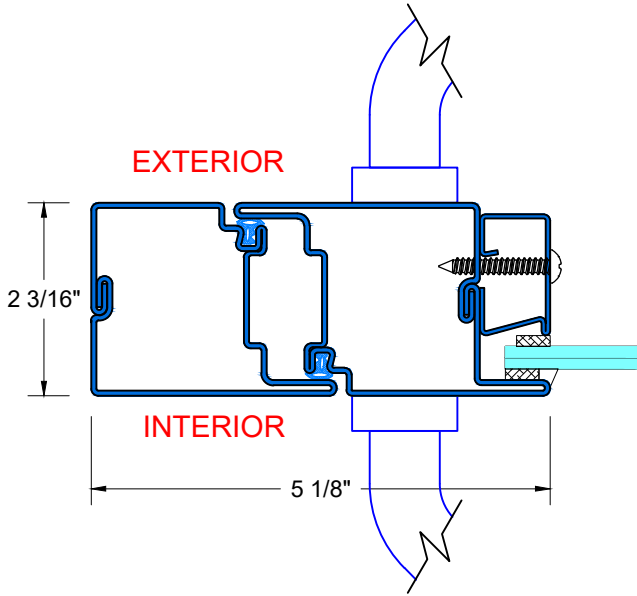
UL CLASSIFIED & LABELED

INSWING DOOR

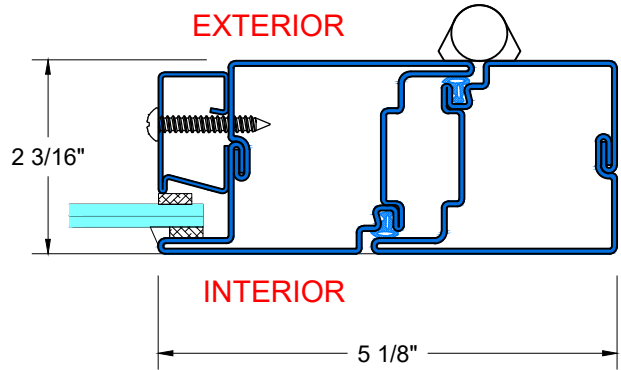




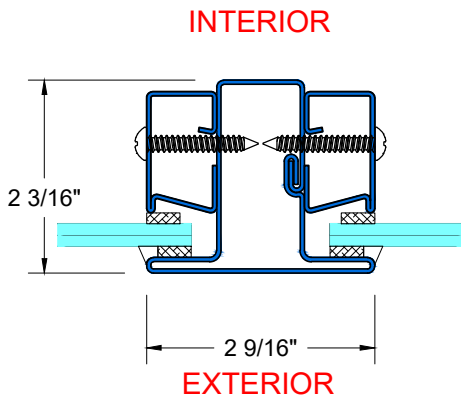
IN SWING DOOR



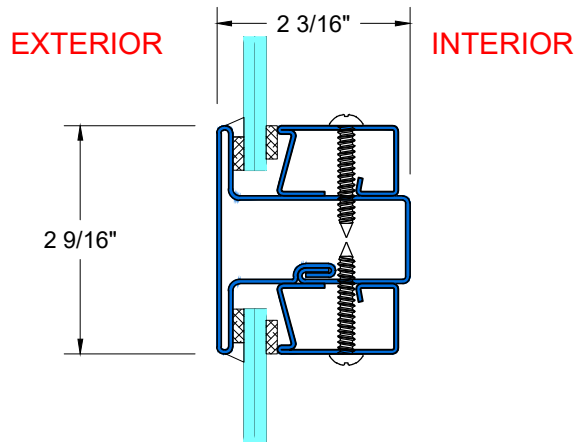
A TYPICAL LOCKING JAMB



B TYPICAL HINGED JAMB



C TYPICAL VERTICAL MUNTIN



D TYPICAL HORIZONTAL MUNTIN

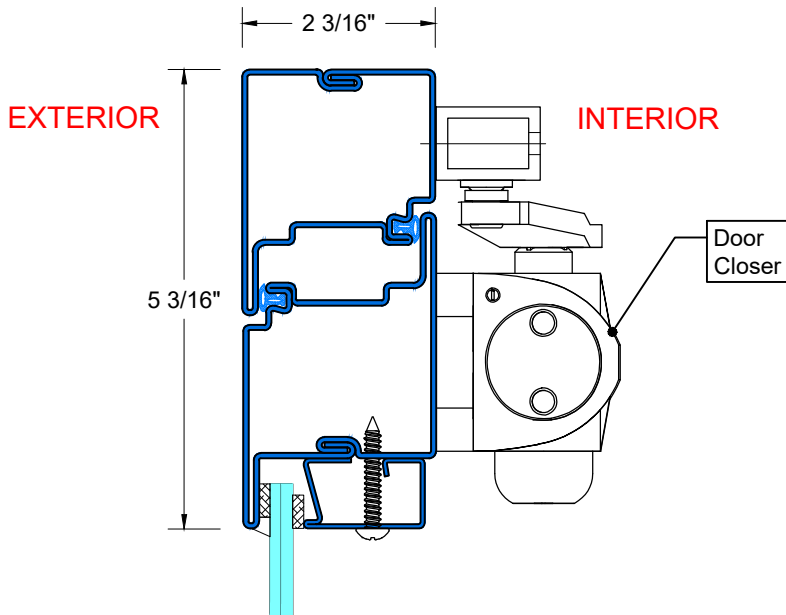


FIRE RATING: 45/60/90 MINUTES

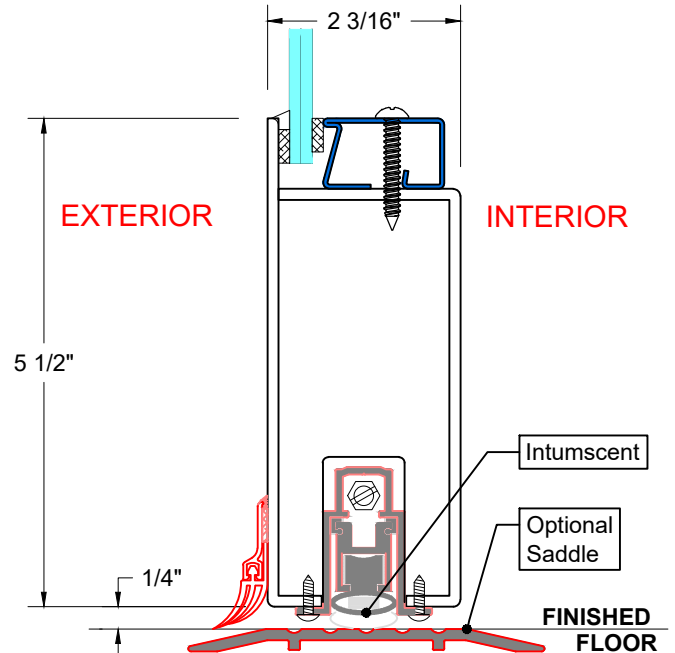
FIRE-RATED SELF-CLOSING SWINGING DOOR



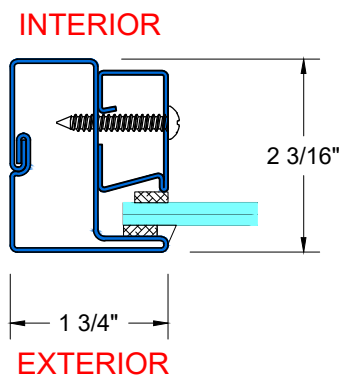
INSWING DOOR



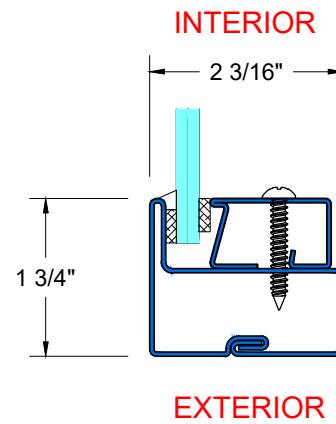
E TYPICAL HEAD W/ DOOR CLOSURE



F TYPICAL KICKPLATE



G&H TYPICAL FIXED JAMB



I&J TYPICAL FIXED HEAD & SILL

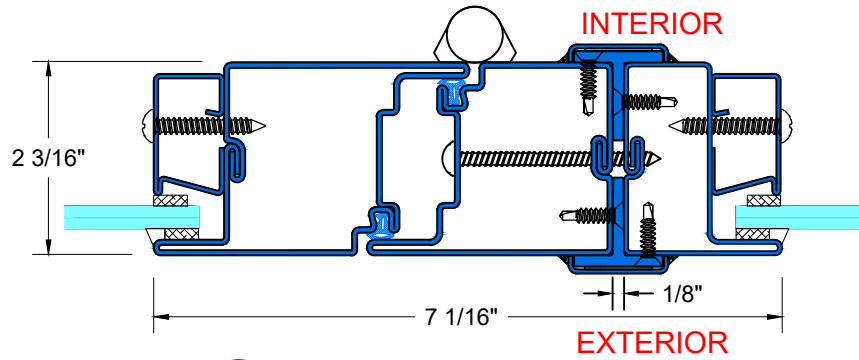
FIRE RATING: 45/60/90 MINUTES

FIRE-RATED SELF-CLOSING SWINGING DOOR

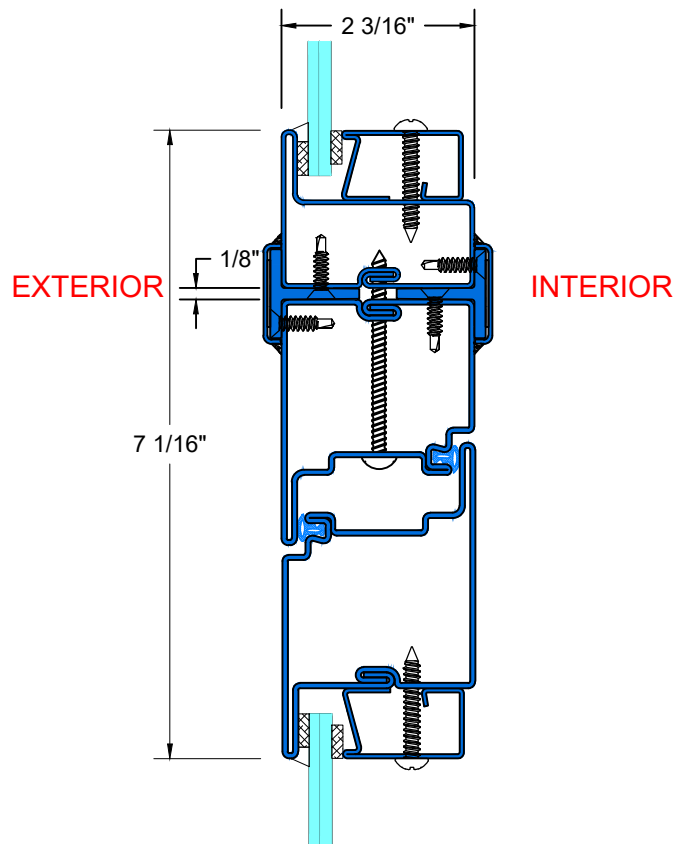


UL CLASSIFIED & LABELED

INSWING DOOR



K TYPICAL JOINING SIDELITE/DOOR



L TYPICAL STACKING TRANSOM/DOOR



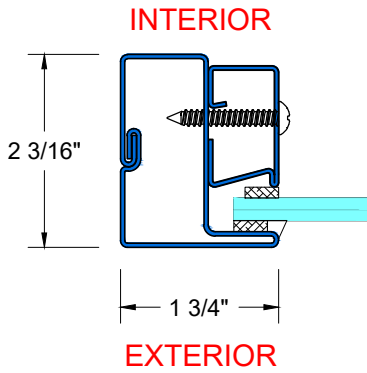
FIRE RATING: 45/60/90 MINUTES

FIRE-RATED SELF-CLOSING SWINGING DOOR

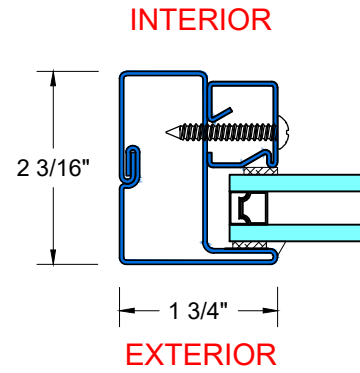


UL CLASSIFIED & LABELED

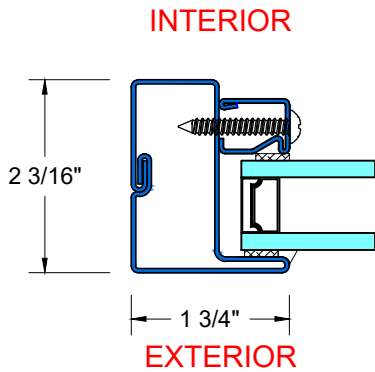
INSWING DOOR



1 — **1/4" FIRE RATED GLASS**



2 — **3/4" FIRE RATED GLASS**



3 — **1" FIRE RATED GLASS**