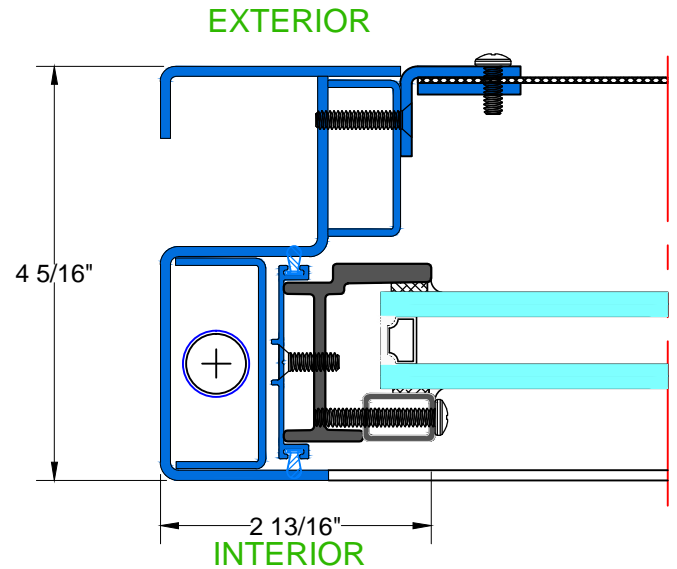
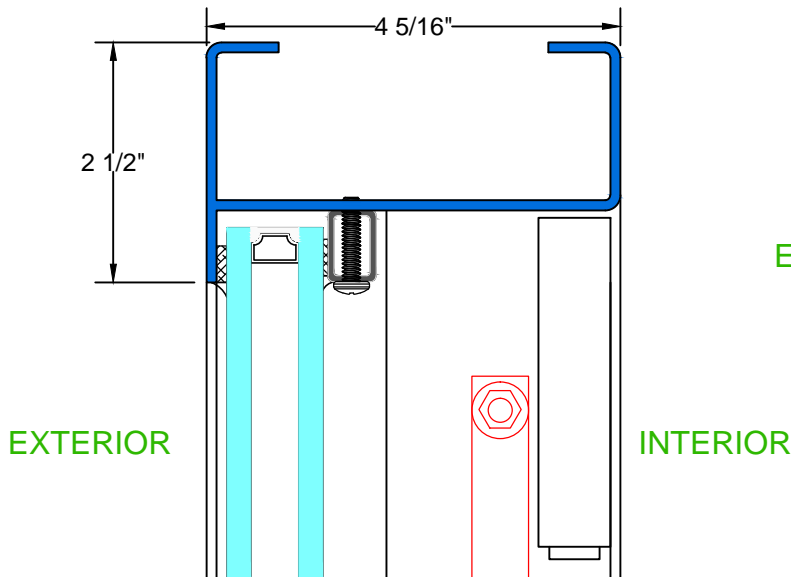


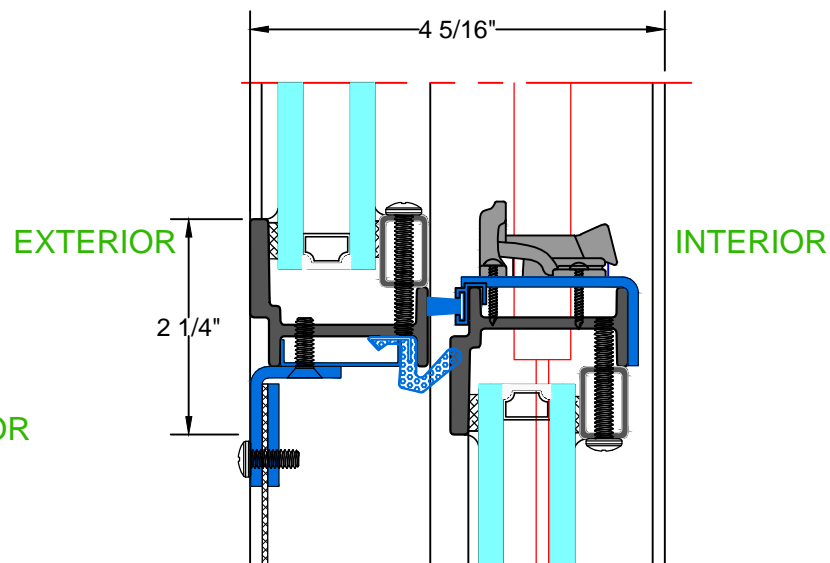
**A&B** TYPICAL  
FIXED JAMB



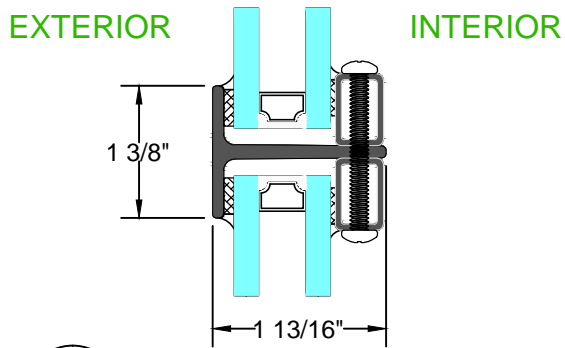
**C&D** TYPICAL  
OPERABLE JAMB



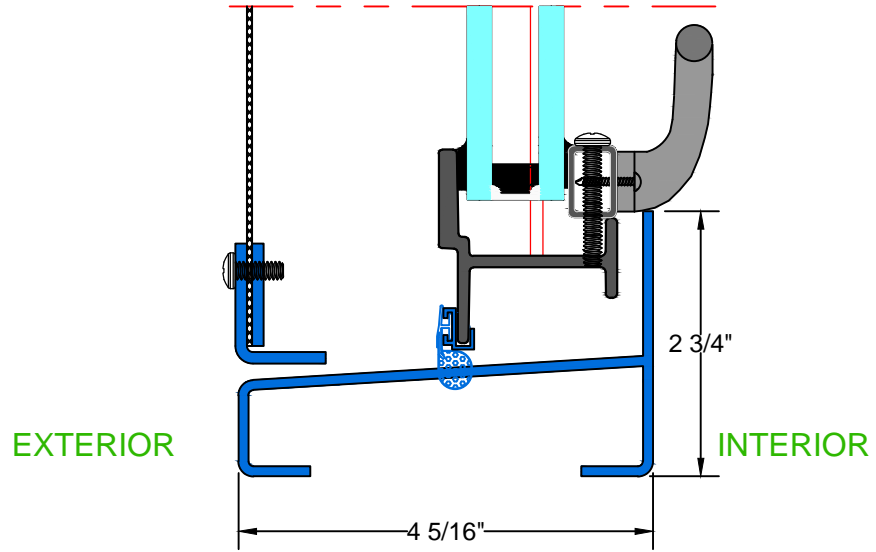
**E** TYPICAL  
HEAD



**F** TYPICAL  
HEAD W/ TRANSOM



**G** TYPICAL HORIZONTAL MUNTIN



**H** TYPICAL SILL