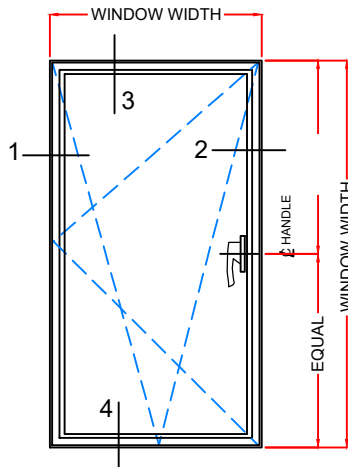




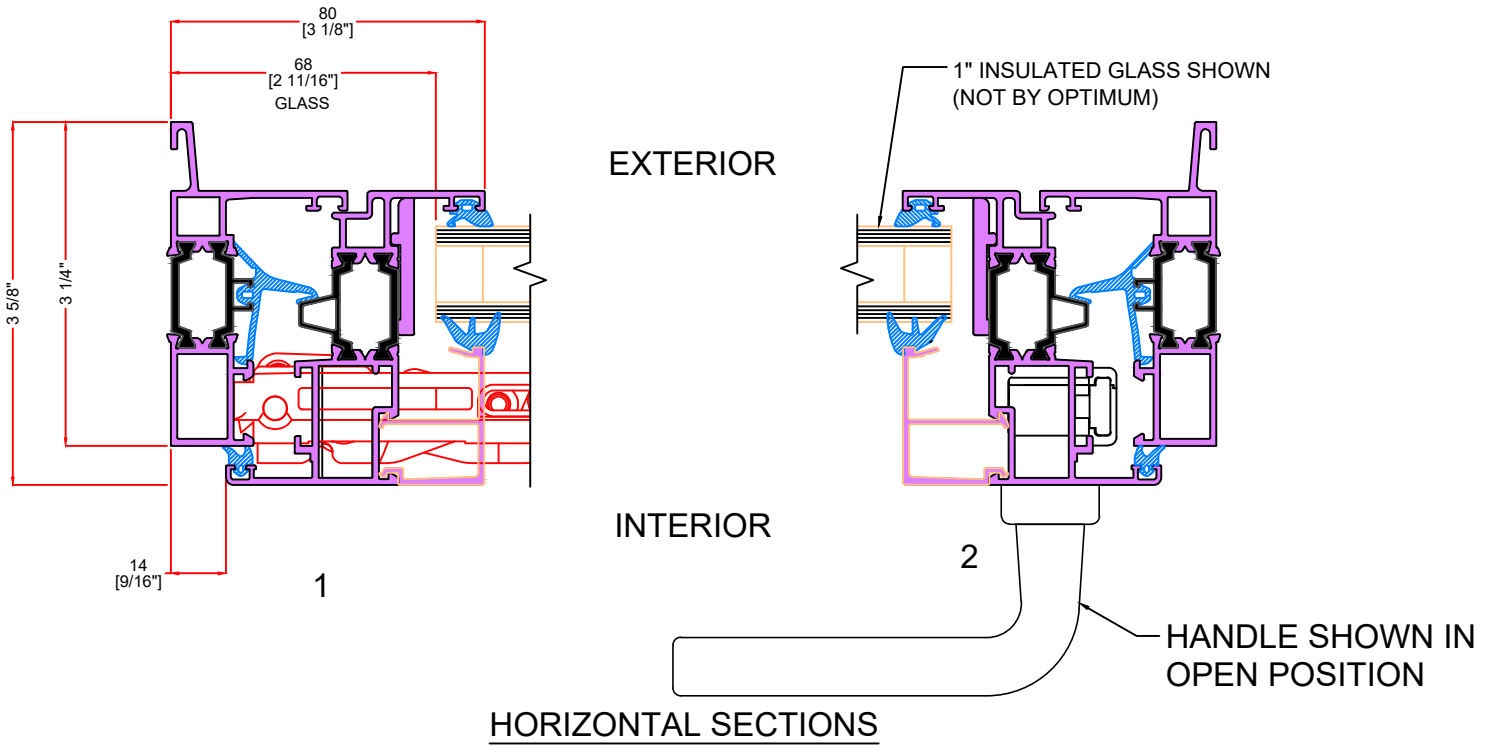
## INSWING TILT & TURN WINDOW



### INTERIOR ELEVATION OF SERIES 680 (NOT TO SCALE)

HANDLE HEIGHT TO BE 1/2 OF OVERALL SASH HEIGHT  
IF NOT OTHERWISE SPECIFIED

**INSWING TILT & TURN WINDOW**



**INSWING TILT & TURN WINDOW**

