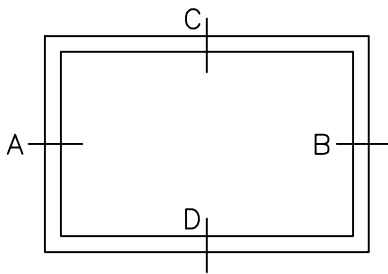
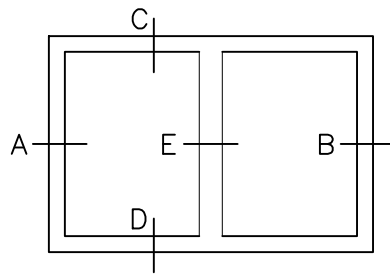


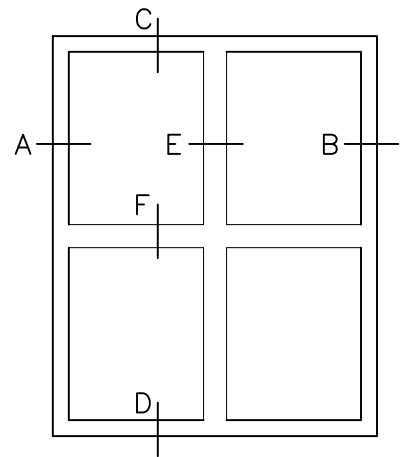
# FIXED WINDOW



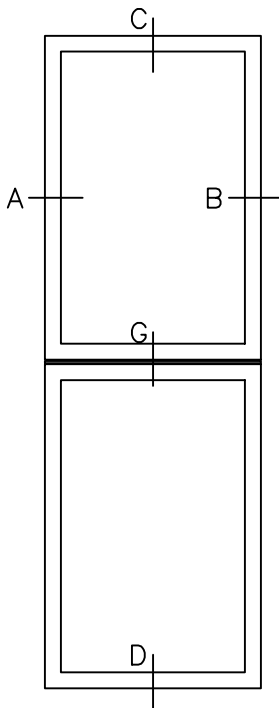
6511-FX



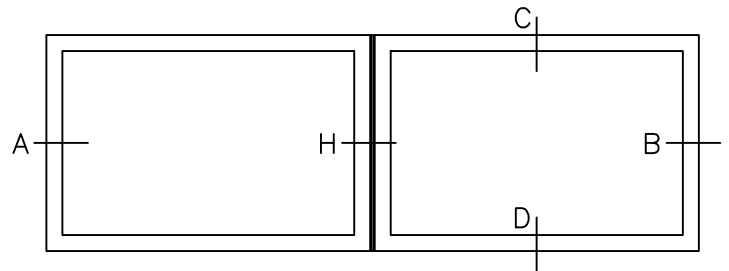
6521-FX



6522-FX



6512-FX-FX

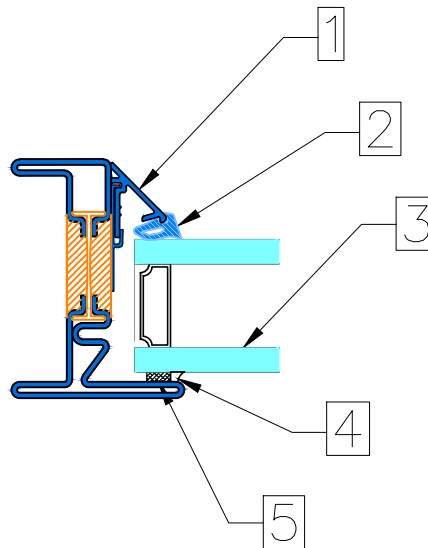


6521-FX-FX

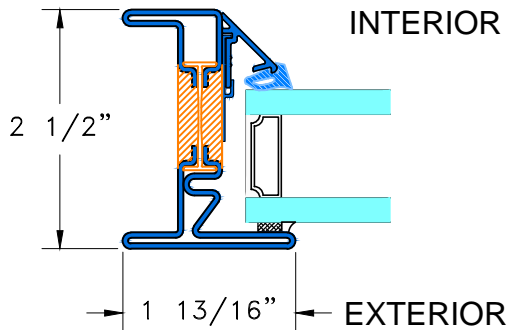
## FIXED WINDOW

### KEY (TYPICAL)

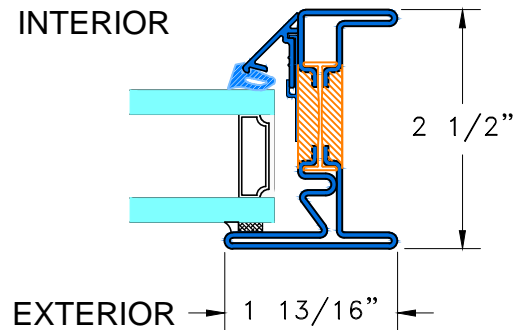
1. Steel glazing bead
2. Extruded EPDM wedge gasket
3. Glass and glazing (by others)
4. Silicone cap bead (by others)
5. Glazing tape (by others)



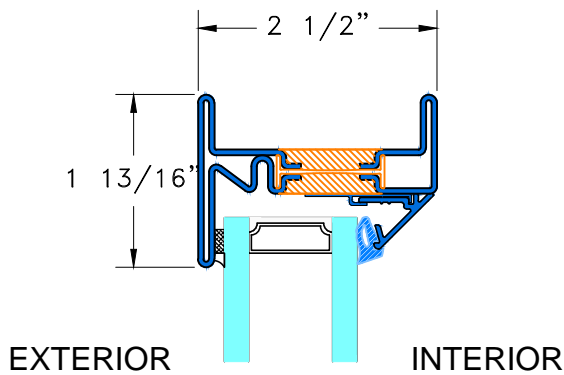
# FIXED WINDOW



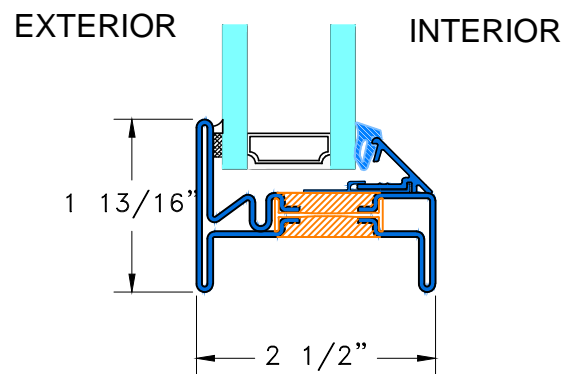
**A** TYPICAL FIXED JAMB



TYPICAL FIXED JAMB **B**

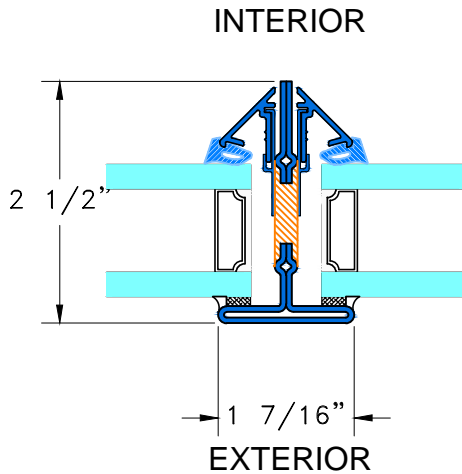


**C** TYPICAL FIXED HEAD & SILL

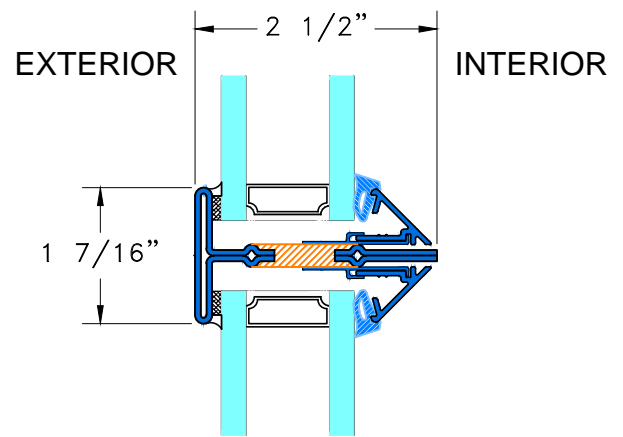


TYPICAL FIXED HEAD & SILL **D**

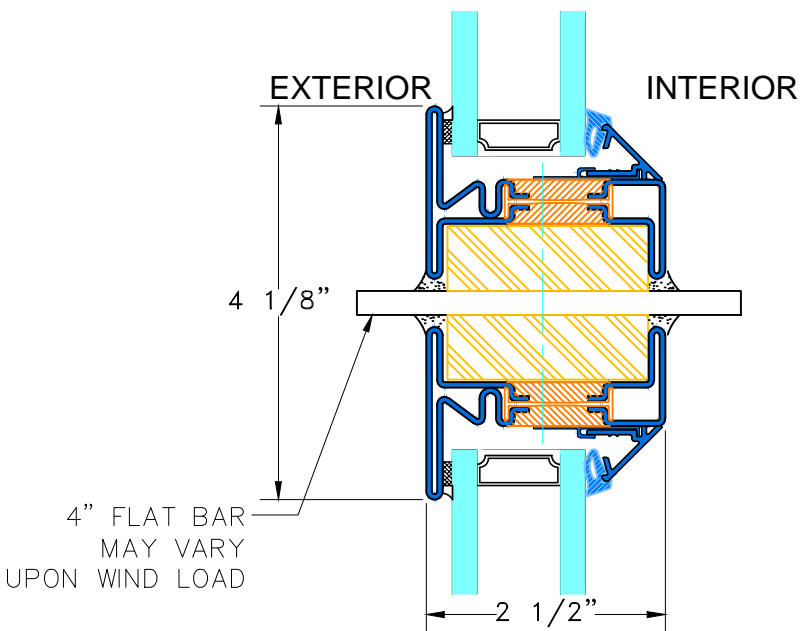
## FIXED WINDOW



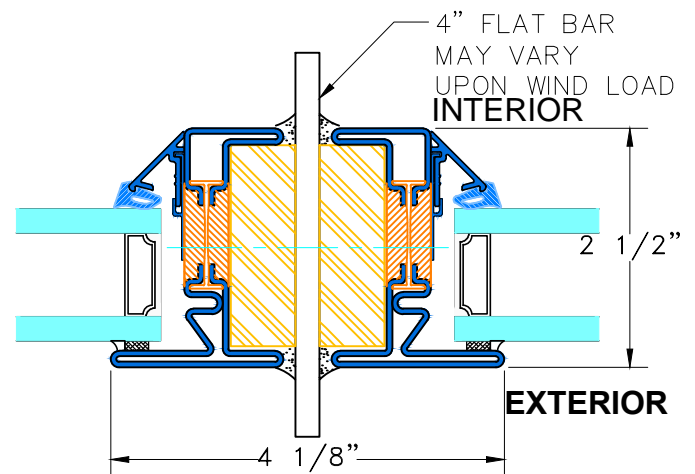
**E** TYPICAL VERTICAL MUNTIN



**F** TYPICAL HORIZONTAL MUNTIN



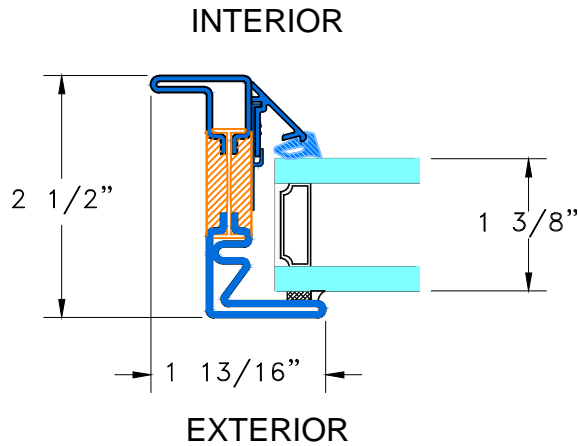
**G** TYPICAL STACKING MULLION



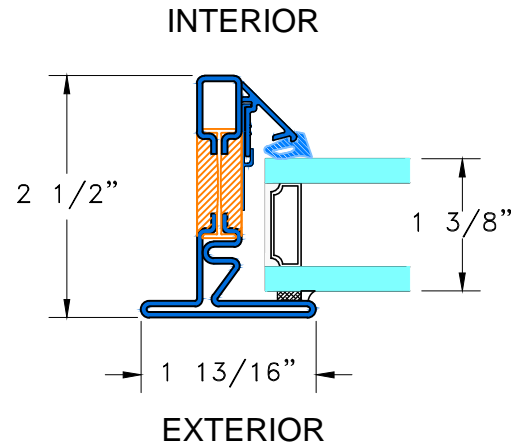
**H** TYPICAL JOINING MULLION

## FIXED WINDOW

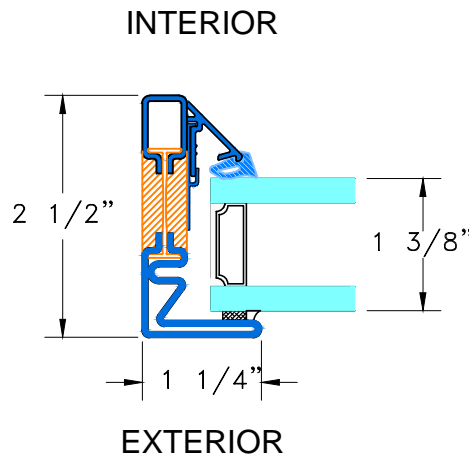
### OPTIONAL FLANGE FRAME



**1** TYPICAL JAMB  
INTERIOR FLANGE



**2** TYPICAL JAMB  
EXTERIOR FLANGE



**3** TYPICAL JAMB  
WITH NO FLANGE



## GLAZING BEADS

