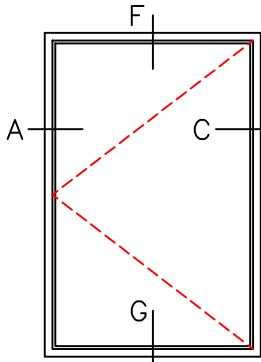
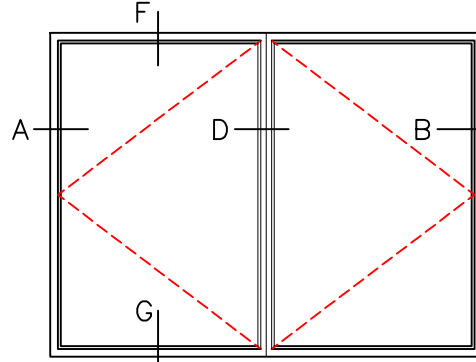


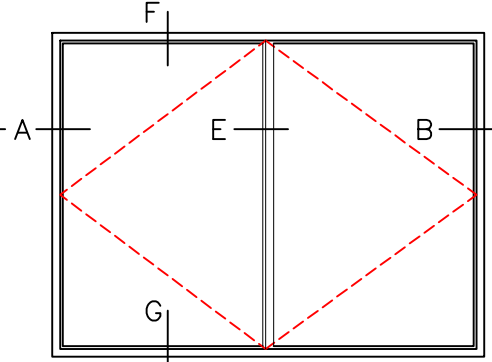
### INSWING CASEMENT



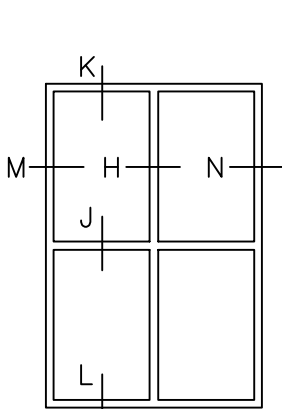
2500\_11\_IC



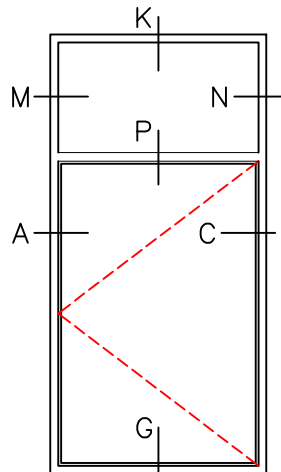
2500\_21\_DB\_IC



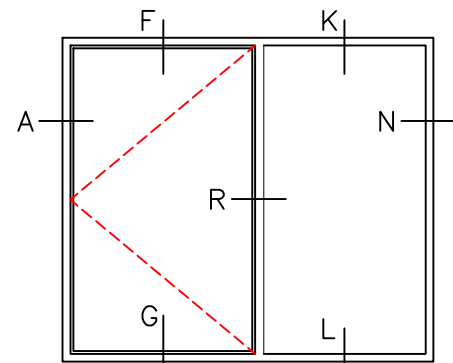
2500\_21\_FR\_IC



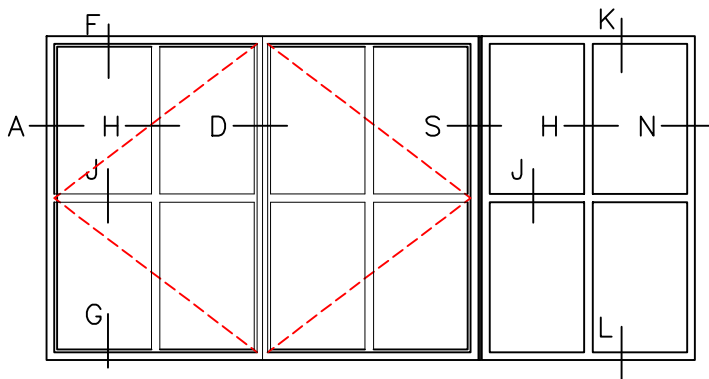
2500\_22\_FX



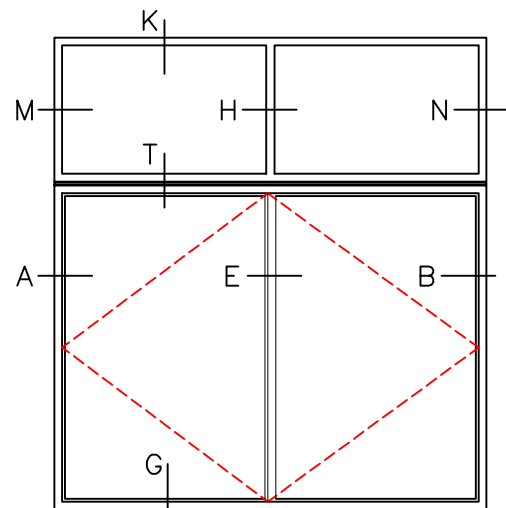
2500\_12\_IC\_FX



2500\_21\_IC\_FX



2500\_62\_DB\_IC\_FX

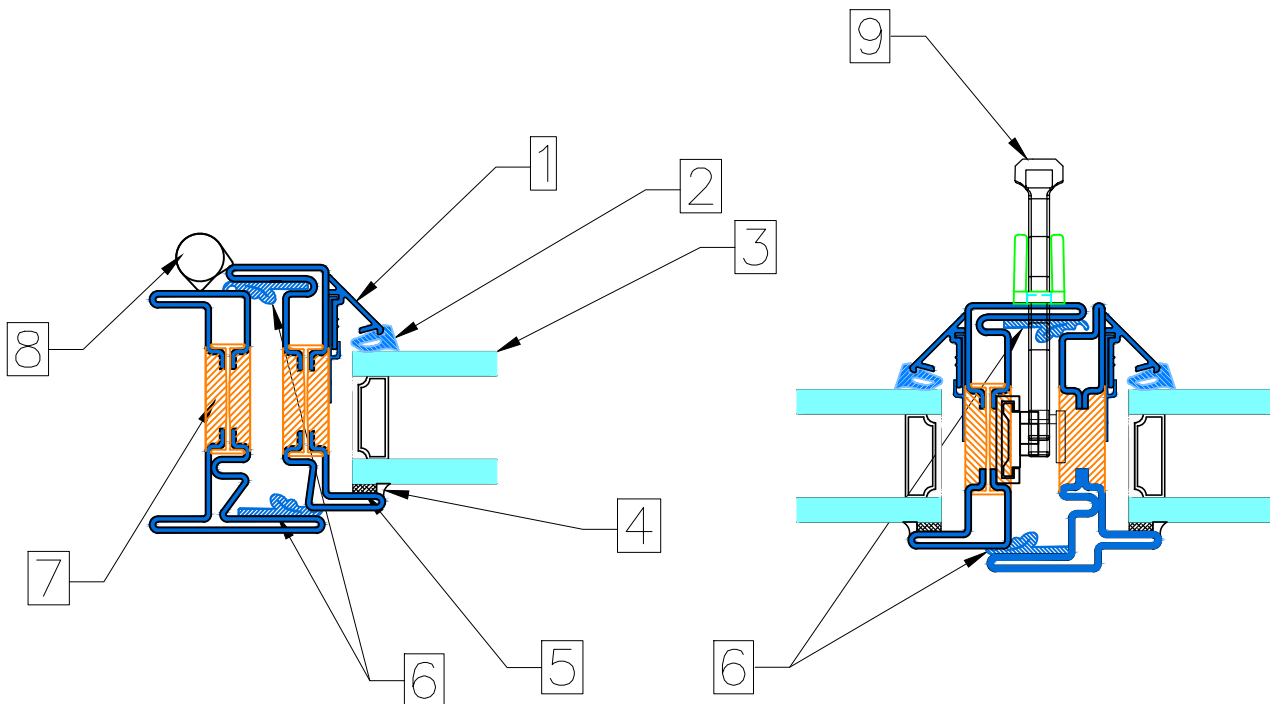


2500\_22\_FR\_IC\_FX

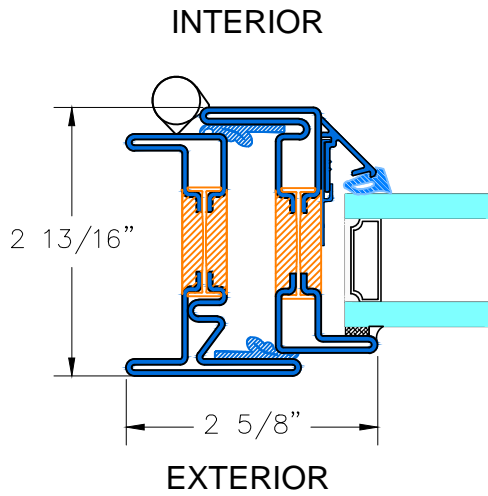
## INSWING CASEMENT

### KEY (TYPICAL)

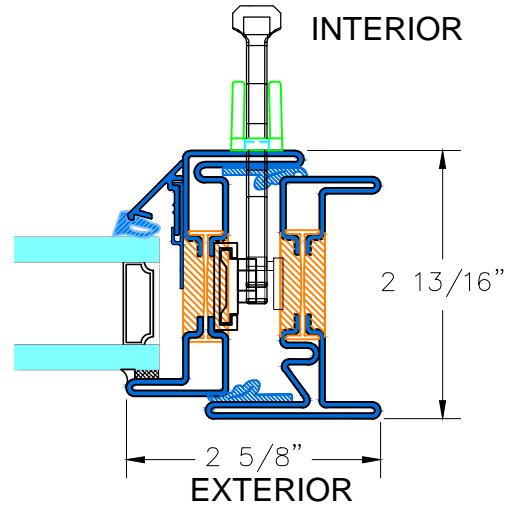
1. Steel glazing bead
2. Extruded EPDM wedge gasket
3. Glass and glazing (by others)
4. Silicone cap bead (by others)
5. Glazing tape (by others)
6. Weather stripping
7. Thermal break
8. Steel hinge
9. OWM'S standard hardware



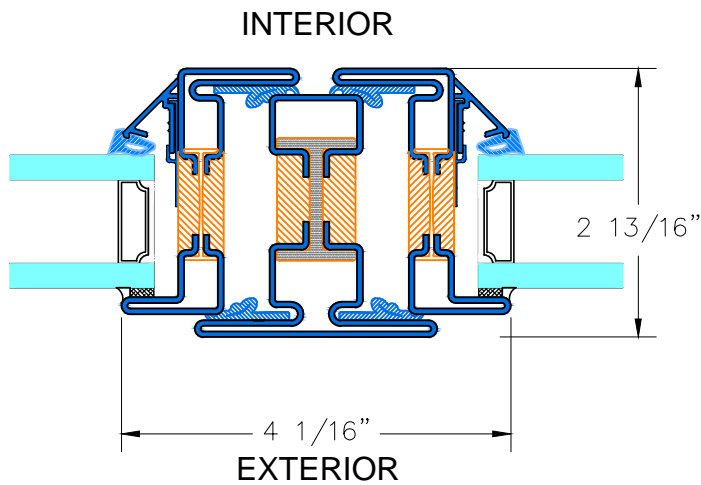
## INSWING CASEMENT



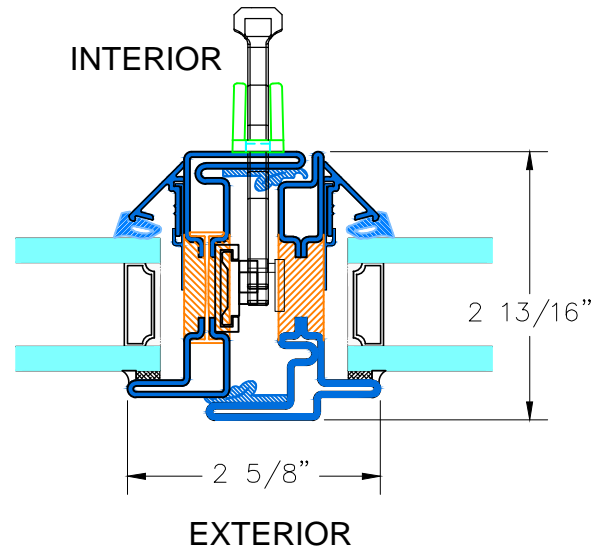
**A&B** TYPICAL HINGED JAMB



**C** TYPICAL LOCKING JAMB

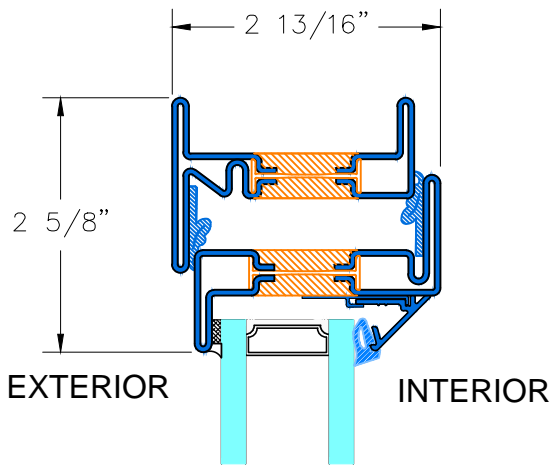


**D** TYPICAL MEETING RAIL

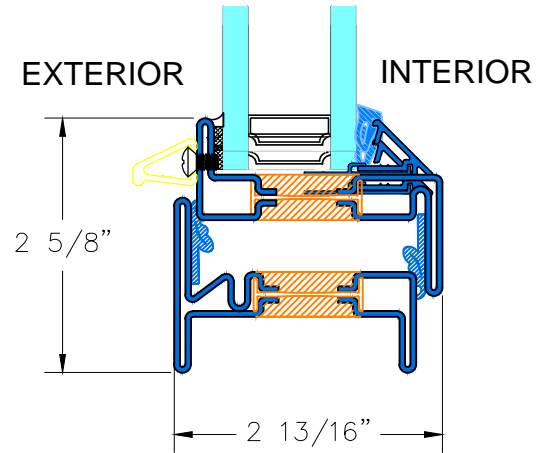


**E** TYPICAL FRENCH MEETING RAIL

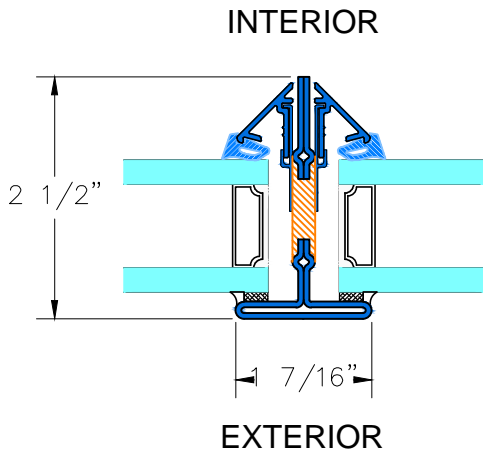
# INSWING CASEMENT



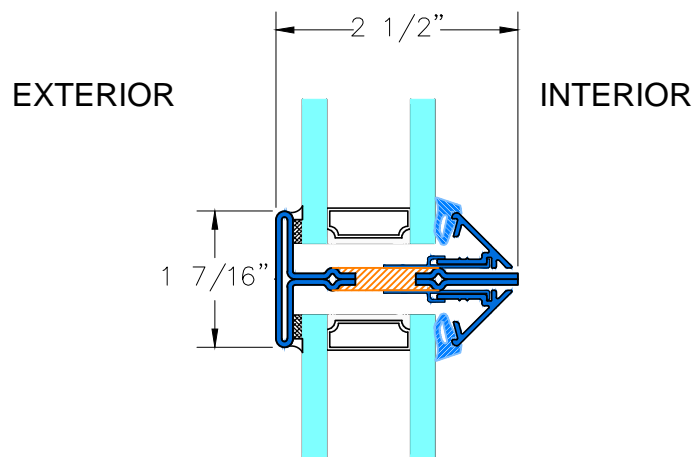
**F** TYPICAL HEAD



**G** TYPICAL SILL

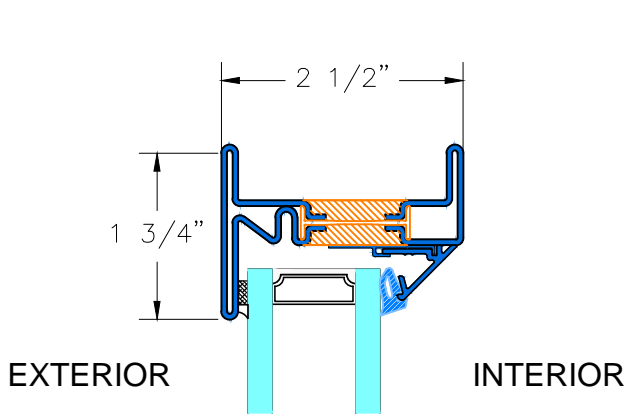


**H** TYPICAL VERTICAL MUNTIN

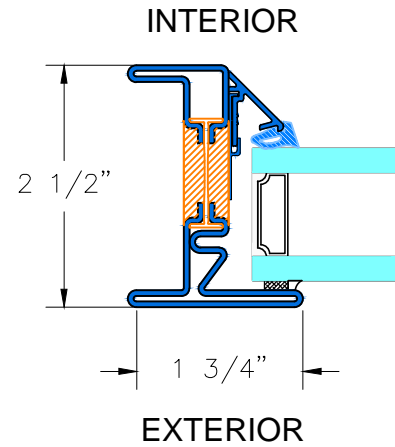


**J** TYPICAL HORIZONTAL MUNTIN

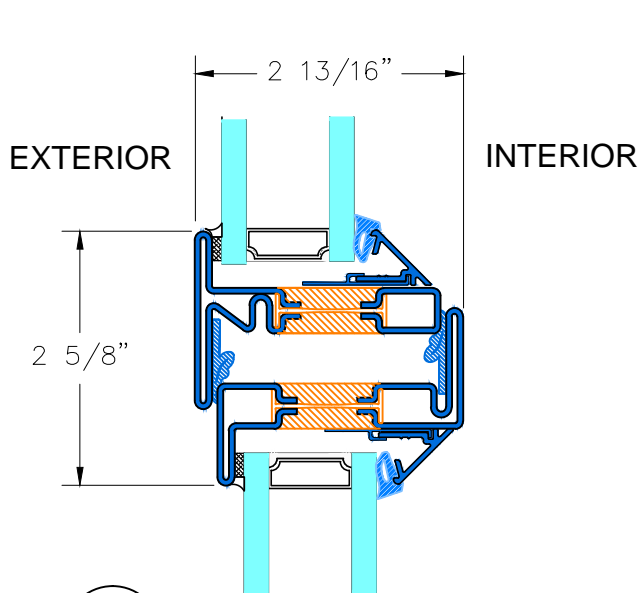
## INSWING CASEMENT



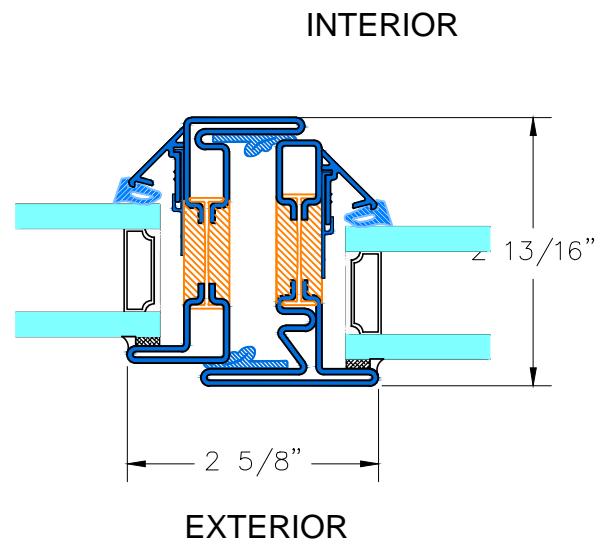
**K&L** TYPICAL FIXED HEAD & SILL



**M&N** TYPICAL FIXED JAMB

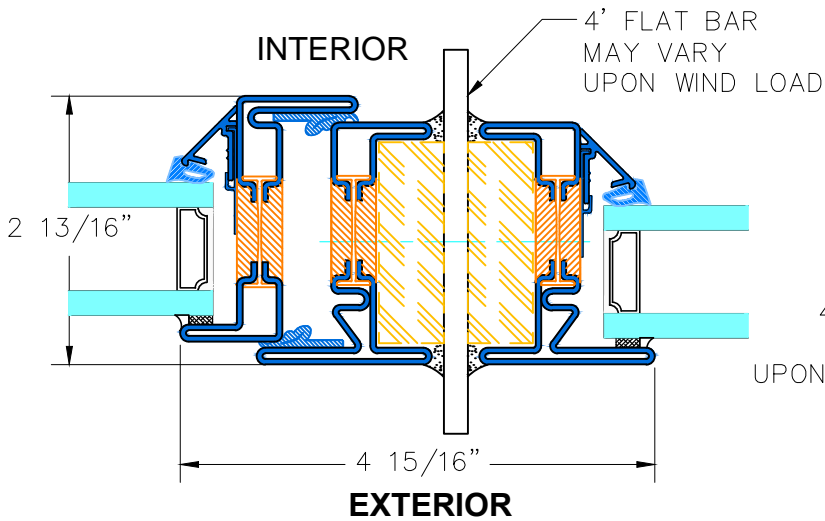


**P** TYPICAL HEAD WITH TRANSOM

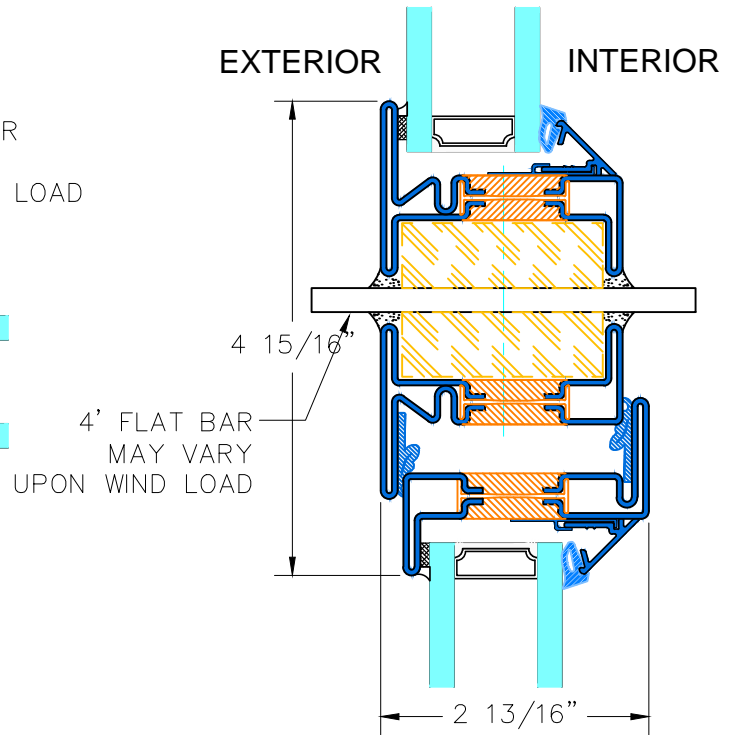


**R** TYPICAL JAMB WITH SIDELITE

### INSWING CASEMENT

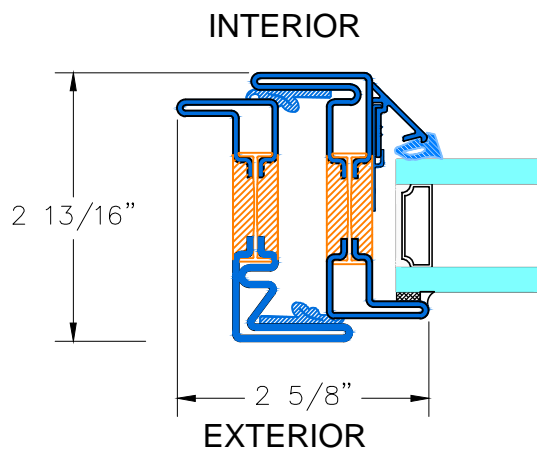


**S** TYPICAL JOINING MULLION

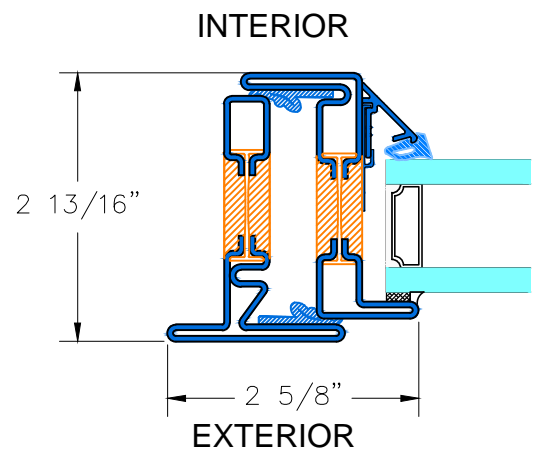


**T** TYPICAL STACKING MULLION

### OPTIONAL FLANGE OPERABLE FRAME



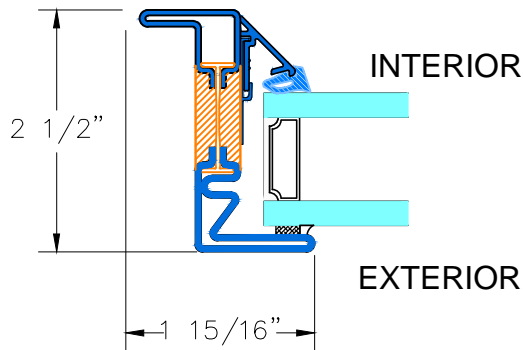
**1** TYPICAL JAMB INTERIOR FLANGE



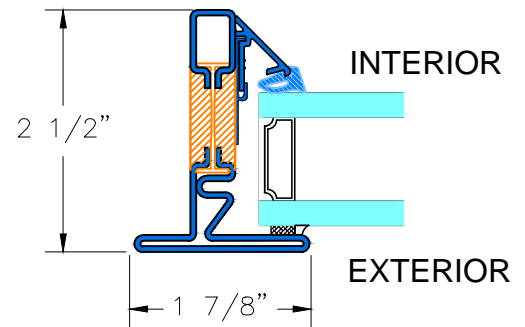
**2** TYPICAL JAMB EXTERIOR FLANGE

## INSWING CASEMENT

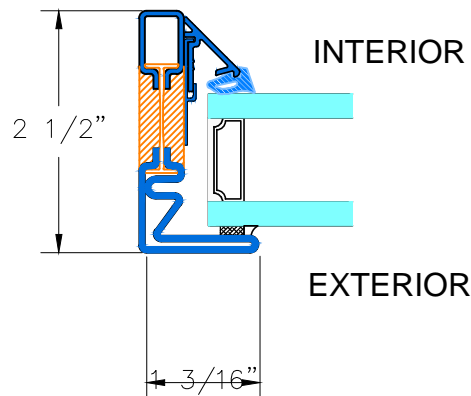
### OPTIONAL FLANGE FRAME



**1** TYPICAL JAMB  
INTERIOR FLANGE



**2** TYPICAL JAMB  
EXTERIOR FLANGE



**3** TYPICAL JAMB  
EXTERIOR FLANGE