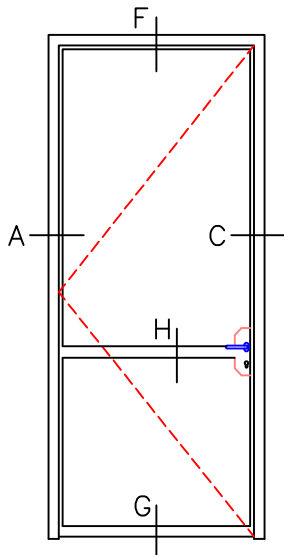
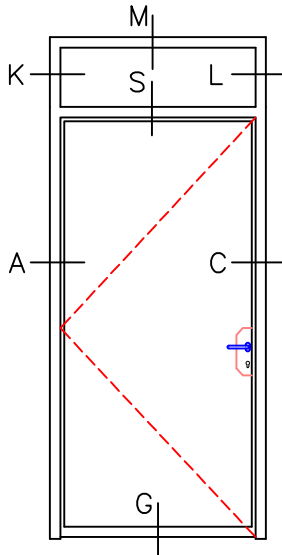


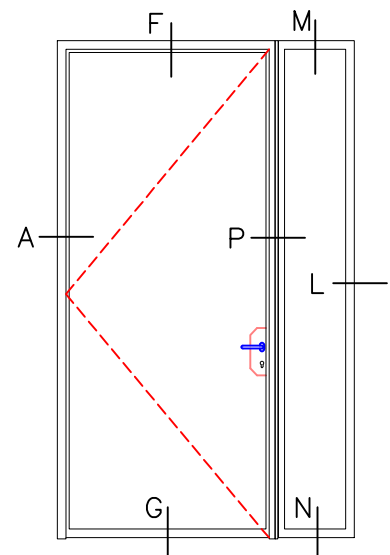
INSWING DOOR



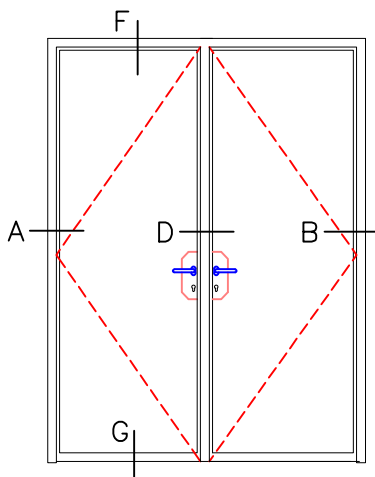
2500_12_ID



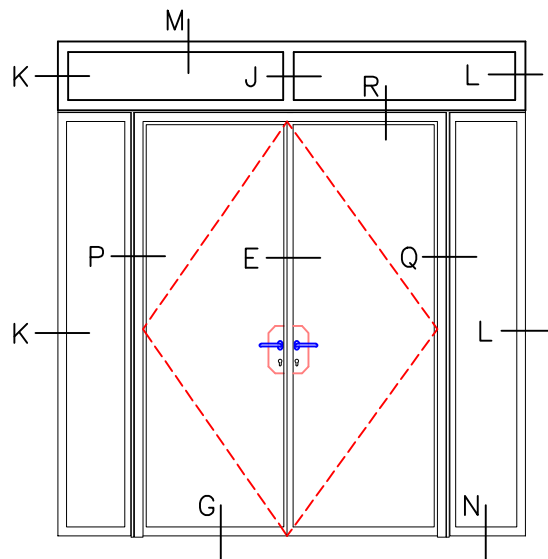
2500_12_ID_FX



2500_21_ID_FX



2500_21_FR_ID

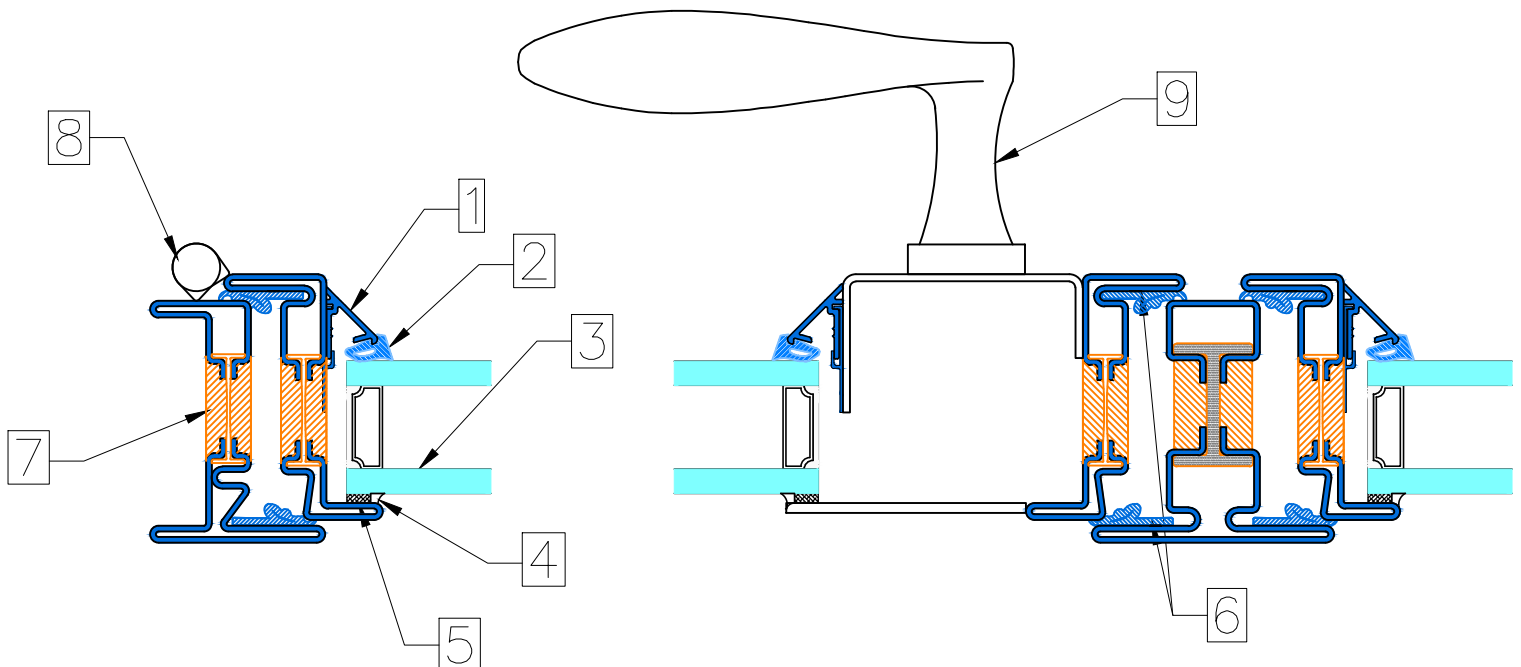


2500_42_FX_FR_FX_ID

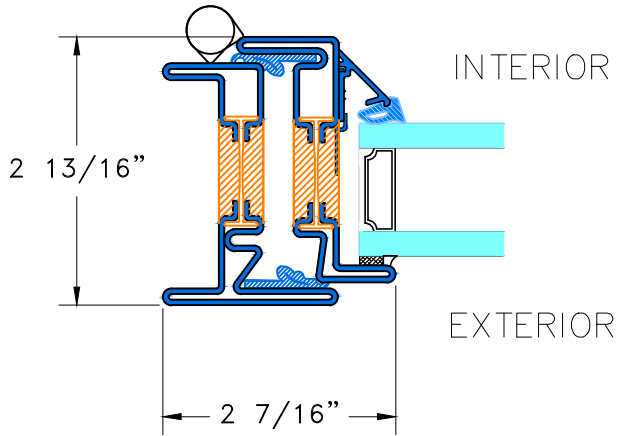
INSWING DOOR

KEY (TYPICAL)

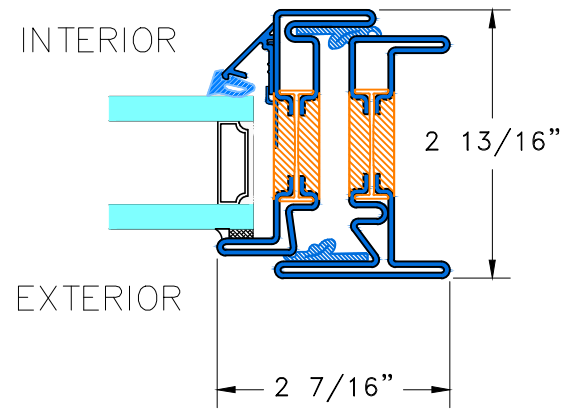
1. Steel glazing bead
2. Extruded EPDM wedge gasket
3. Glass and glazing (by others)
4. Silicone cap bead (by others)
5. Glazing tape (by others)
6. Weather stripping
7. Thermal break
8. Steel hinge
9. Rustic umber Rodos handle (other options available)



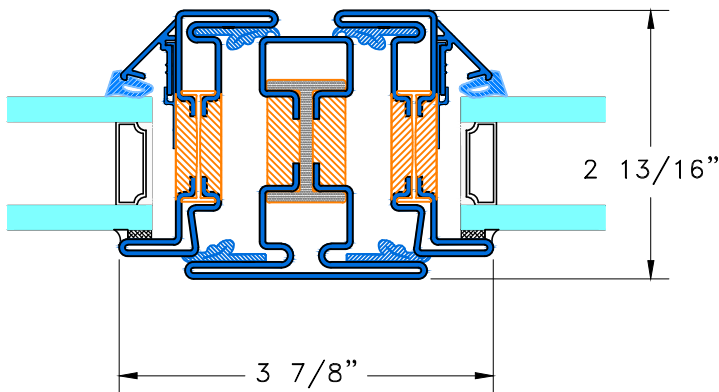
INSWING DOOR



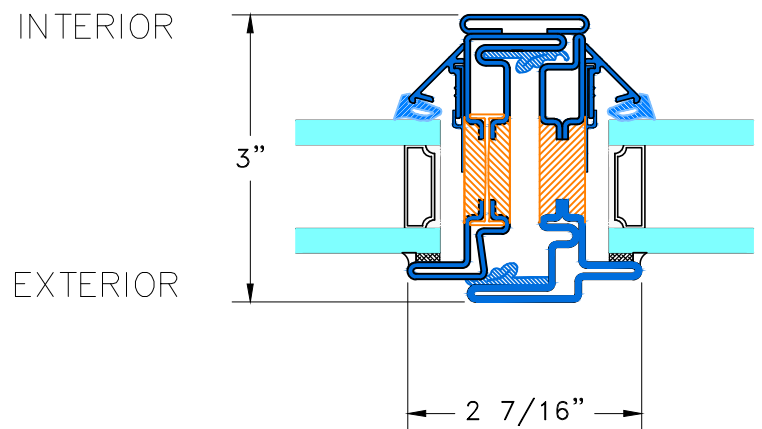
A&B TYPICAL HINGED JAMB



C TYPICAL LOCKING JAMB



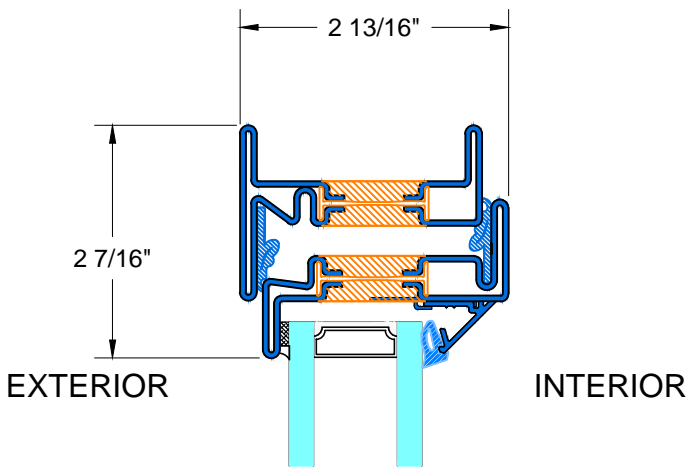
D TYPICAL MEETING RAIL



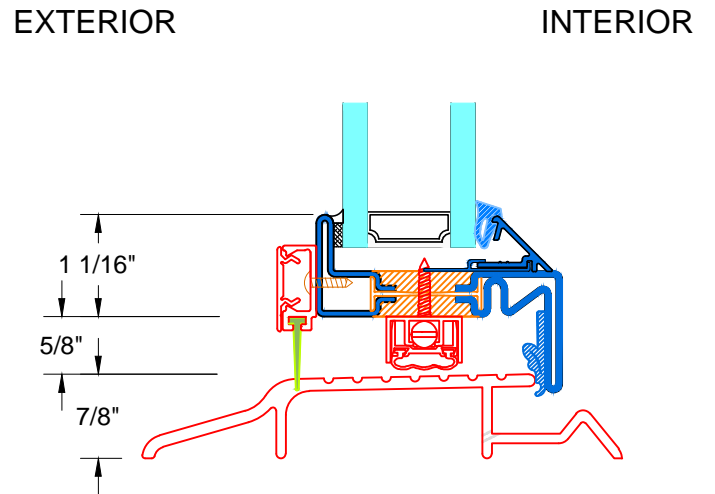
E TYPICAL FRENCH MEETING RAIL



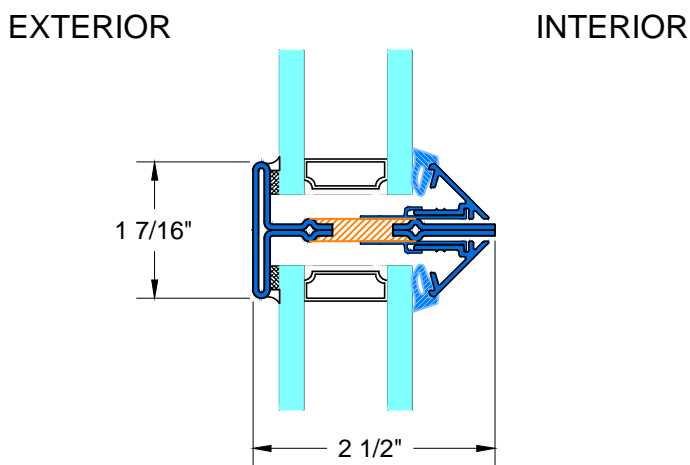
INSWING DOOR



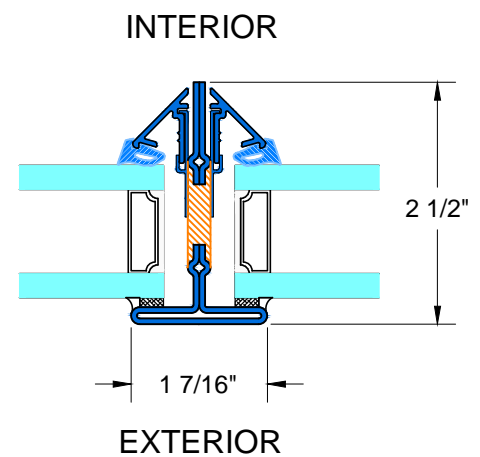
F TYPICAL OPERABLE HEAD



G TYPICAL SILL WITH OPTIONAL SADDLE

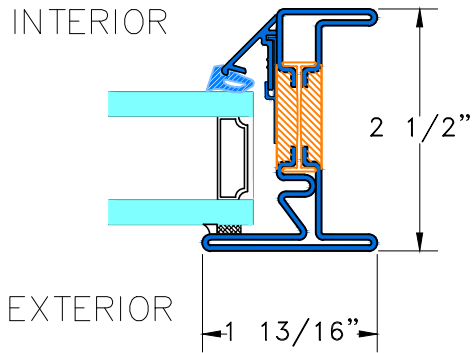


H TYPICAL HORIZONTAL MUNTIN

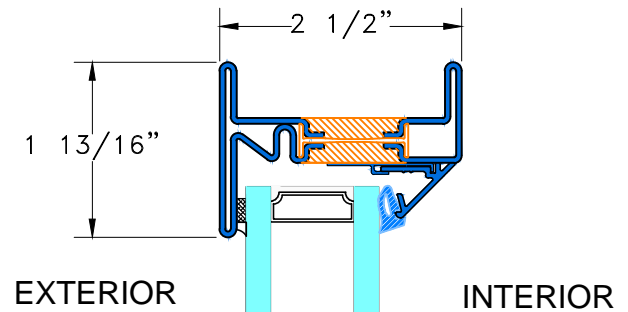


J TYPICAL VERTICAL MUNTIN

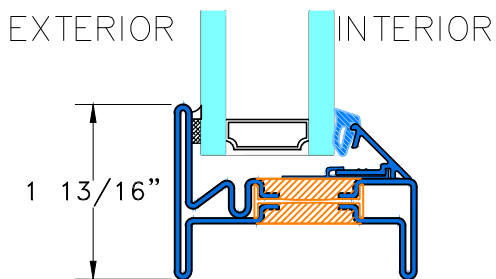
INSWING DOOR



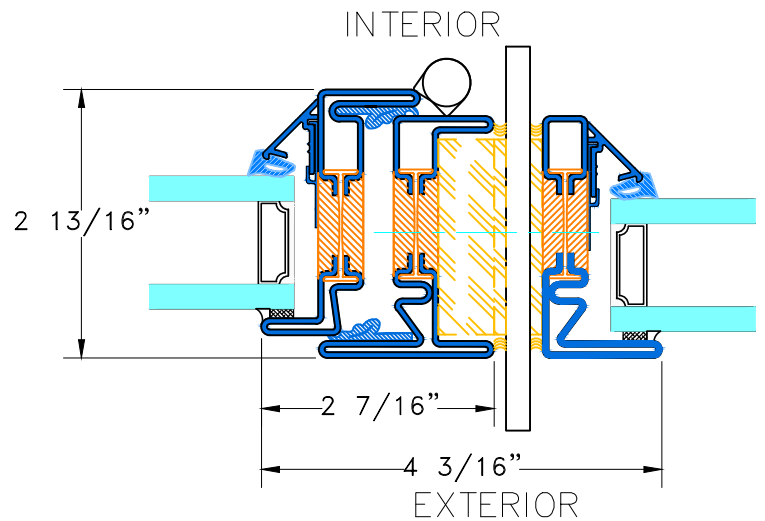
K&L TYPICAL FIXED
TRANSOM OR JAMB



M TYPICAL FIXED
HEAD OR SILL

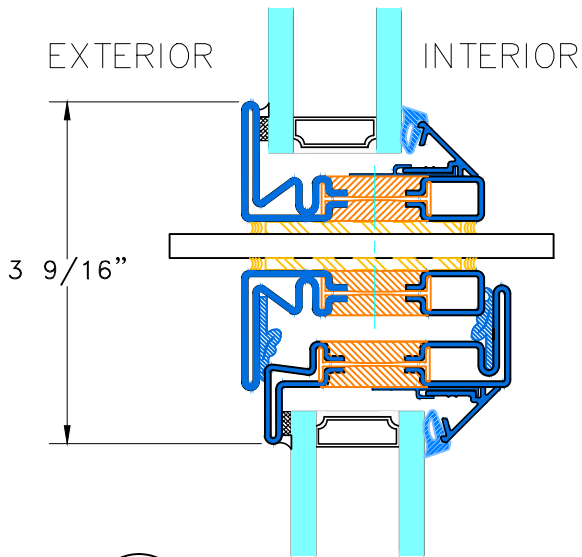


N TYPICAL
TRANSOM SILL

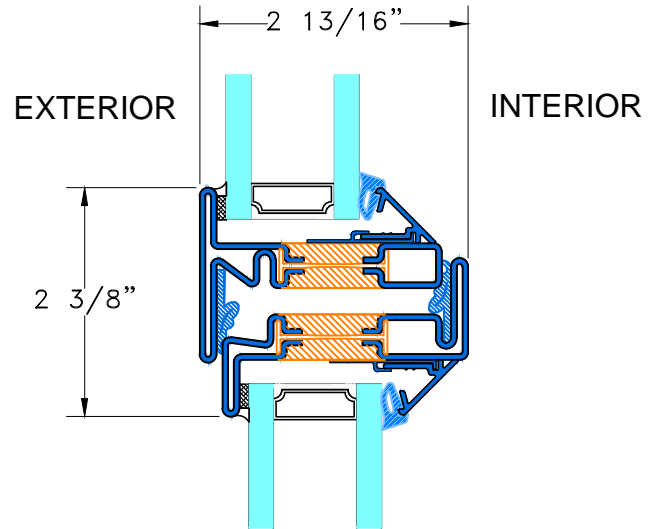


P&Q TYPICAL
JOINING SIDELITE

INSWING DOOR

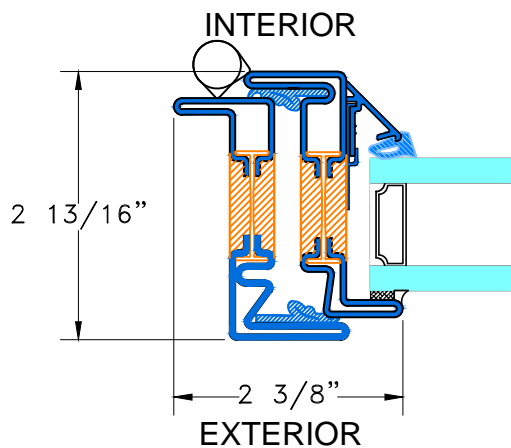


R TYPICAL STACKING TRANSOM

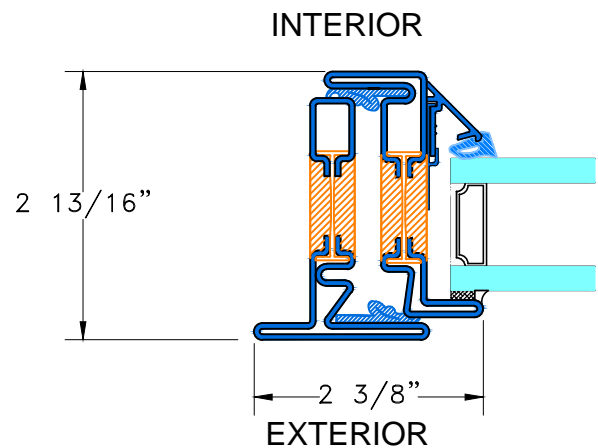


S TYPICAL OPERABLE WITH TRANSOM

OPTIONAL FLANGE OPERABLE FRAME



1 TYPICAL JAMB INTERIOR FLANGE

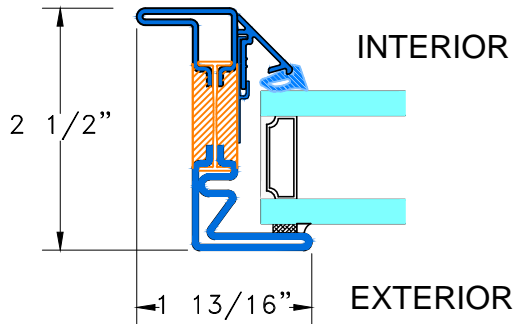


2 TYPICAL JAMB EXTERIOR FLANGE

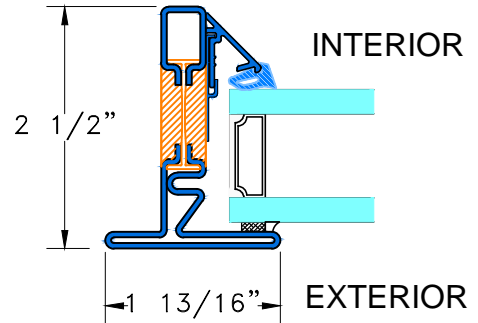


INSWING DOOR

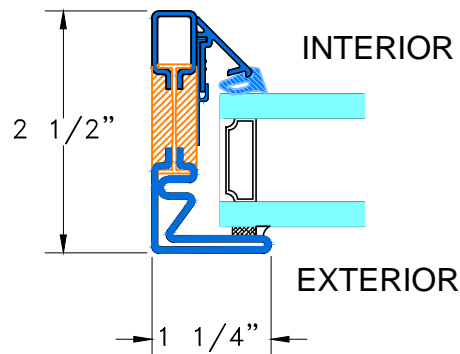
OPTIONAL FLANGE FIXED FRAME



1 TYPICAL JAMB
INTERIOR FLANGE



2 TYPICAL JAMB
EXTERIOR FLANGE



3 TYPICAL JAMB
NO FLANGE