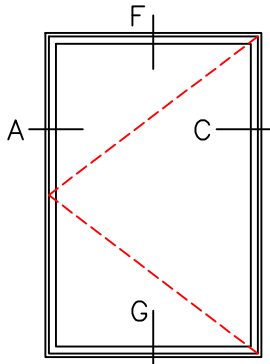
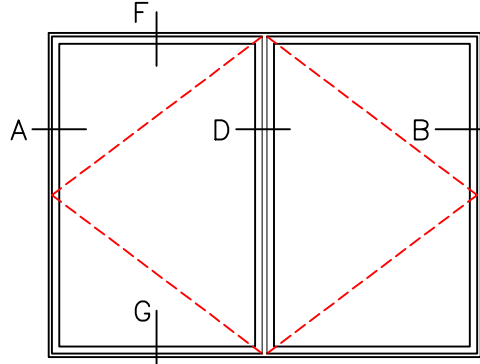




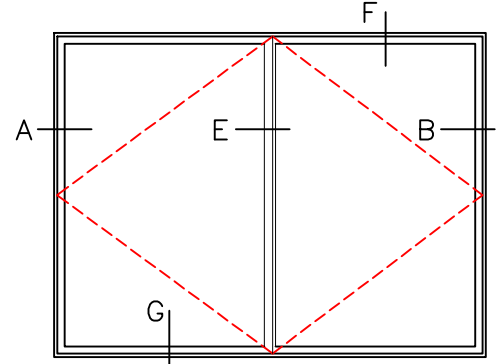
OUTSWING CASEMENT WINDOW



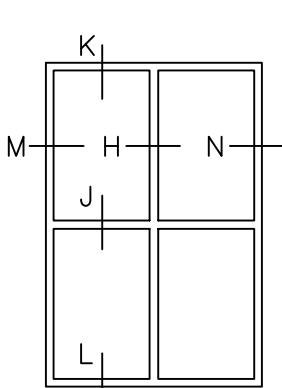
2500_11_OC



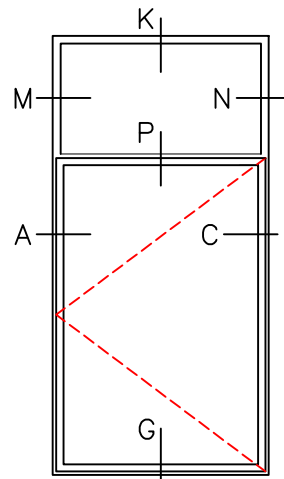
2500_21_DB_OC



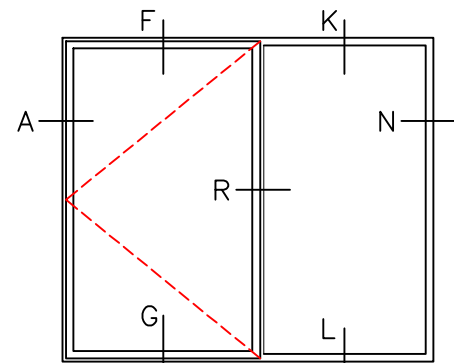
2500_21_FR_OC



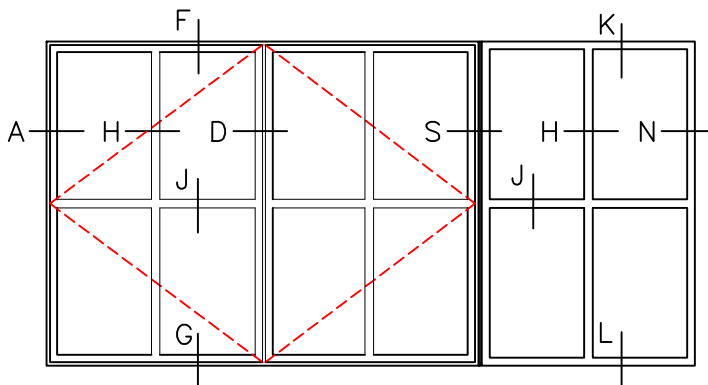
2500_22_FX



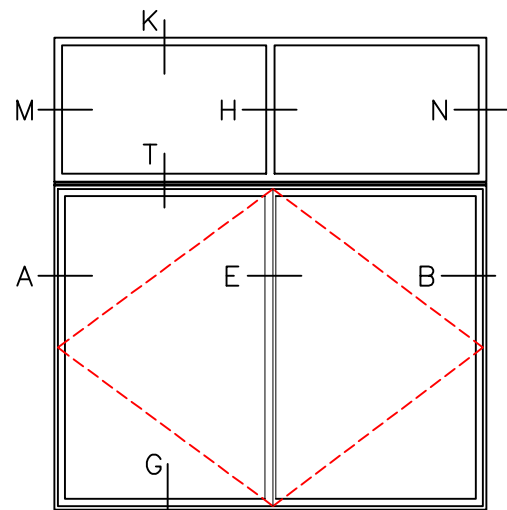
2500_12_OC_FX



2500_21_OC_FX



2500_62_DB_OC_FX

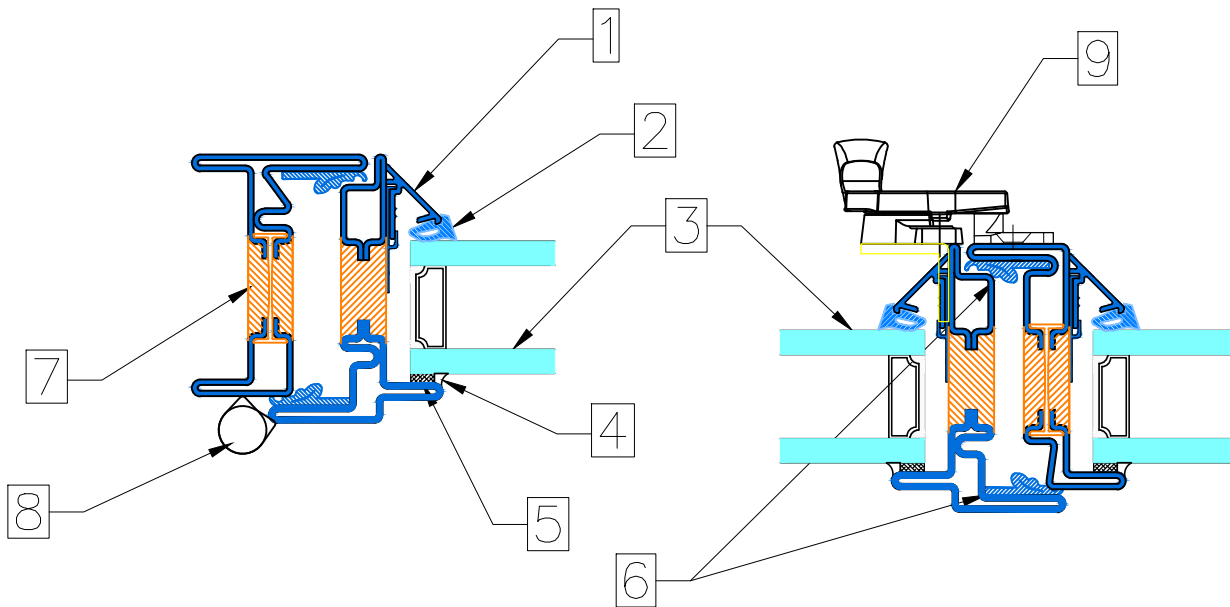


2500_22_FR_OC_FX

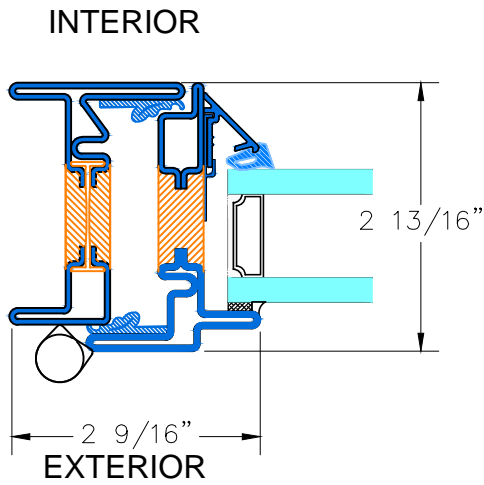
OUTSWING CASEMENT WINDOW

KEY (TYPICAL)

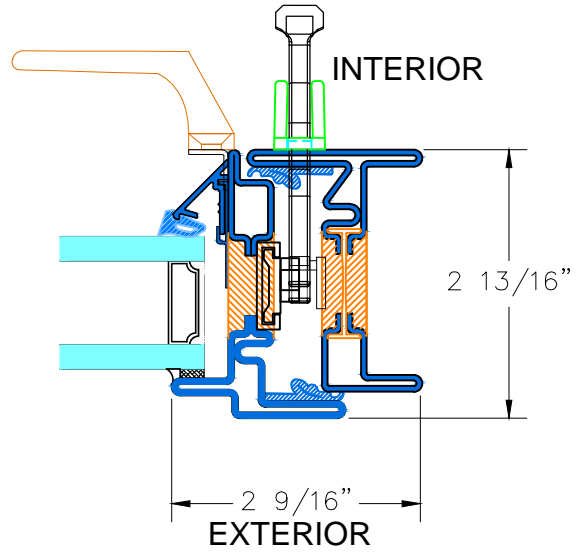
1. Steel glazing bead
2. Extruded EPDM wedge gasket
3. Glass and glazing (by others)
4. Silicone cap bead (by others)
5. Glazing tape (by others)
6. Weather stripping
7. Thermal break
8. Steel hinge
9. OWM'S standard hardware



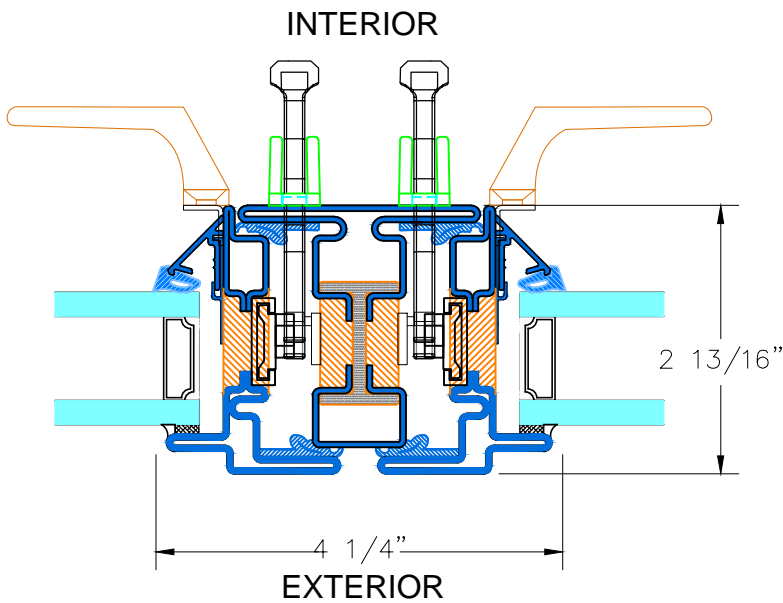
OUTSWING CASEMENT WINDOW



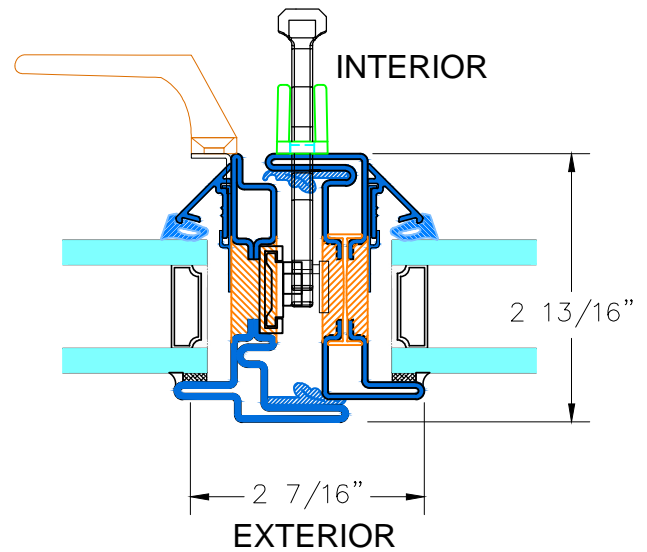
A&B TYPICAL HINGED JAMB



C TYPICAL LOCKING JAMB

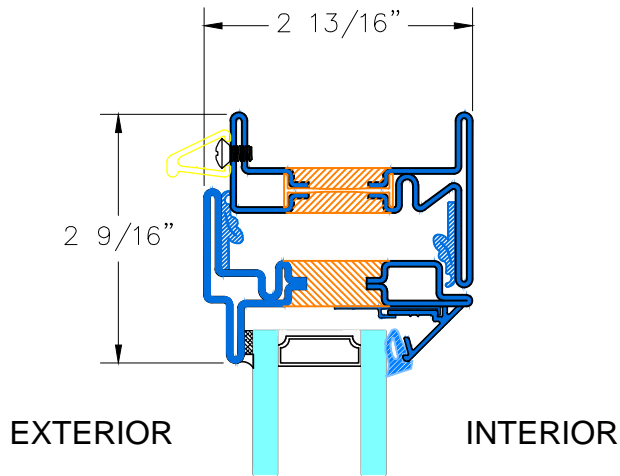


D TYPICAL MEETING RAIL

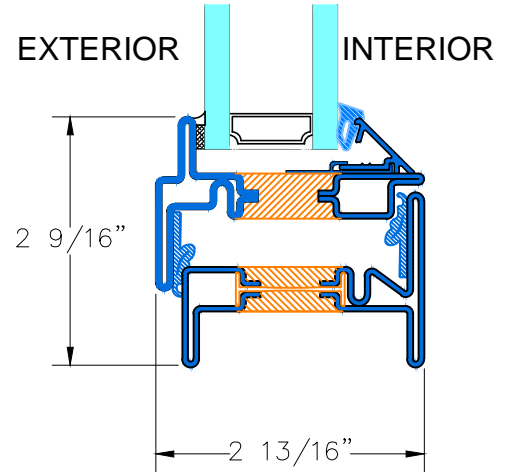


E TYPICAL FRENCH MEETING RAIL

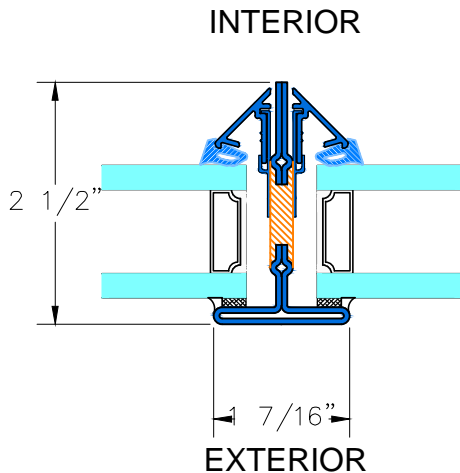
OUTSWING CASEMENT WINDOW



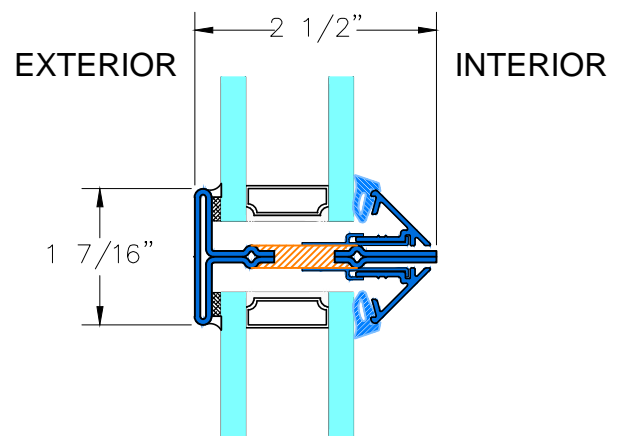
F TYPICAL HEAD



G TYPICAL SILL

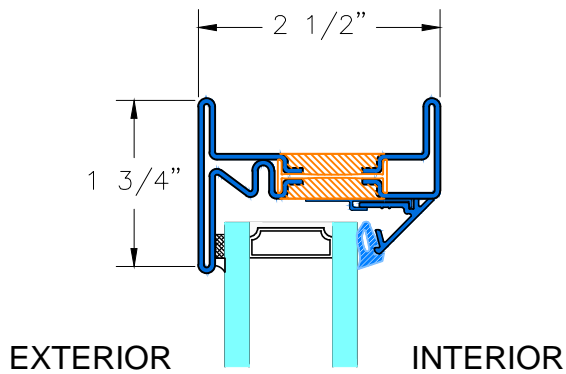


H TYPICAL VERTICAL MUNTIN

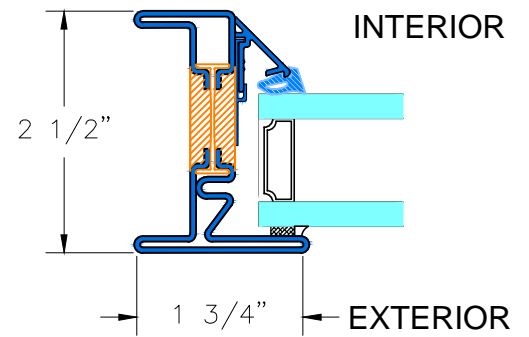


J TYPICAL HORIZONTAL MUNTIN

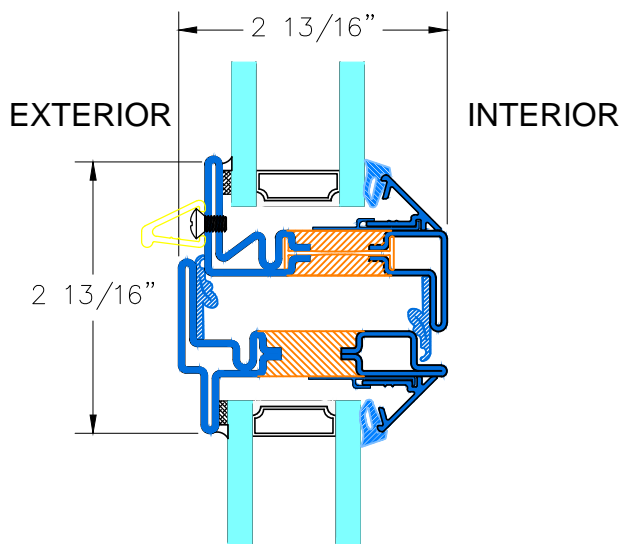
OUTSWING CASEMENT WINDOW



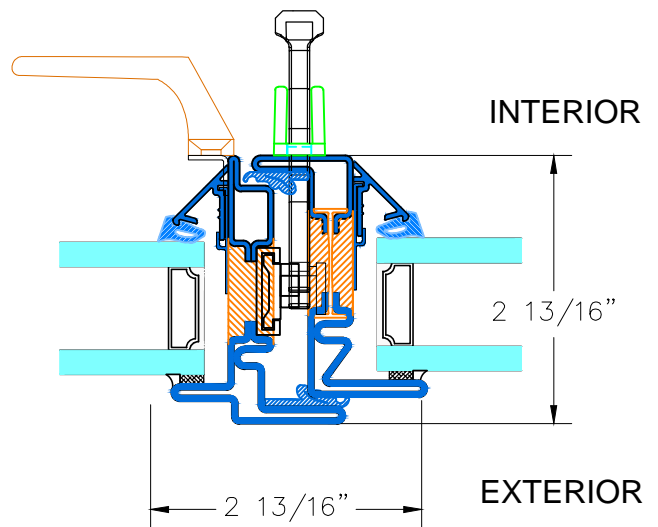
K&L TYPICAL FIXED HEAD & SILL



M&N TYPICAL FIXED JAMB

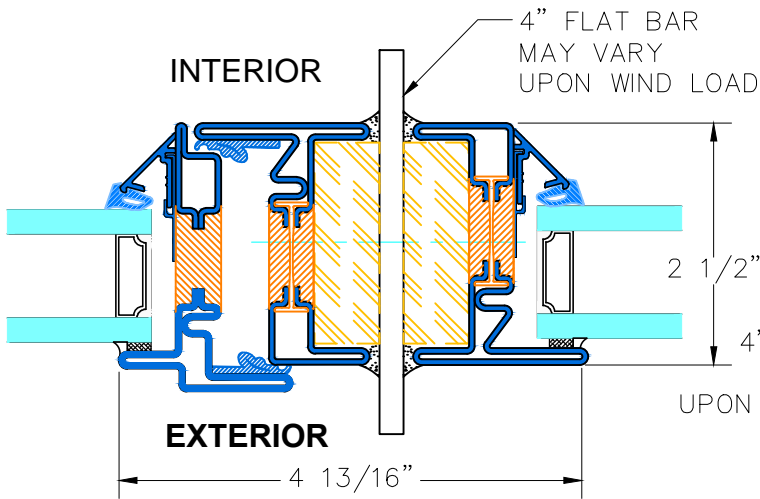


P TYPICAL HEAD WITH TRANSOM

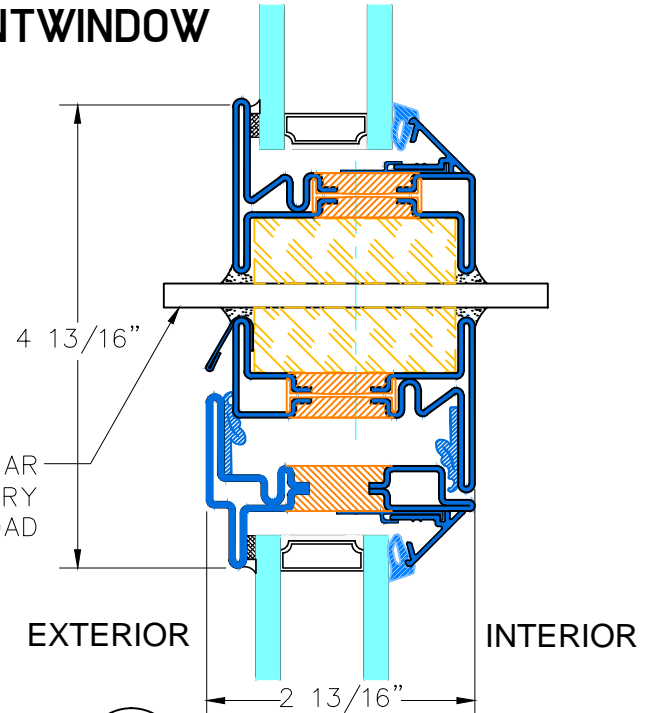


R TYPICAL JAMB WITH SIDELITE

OUTSWING CASEMENT WINDOW

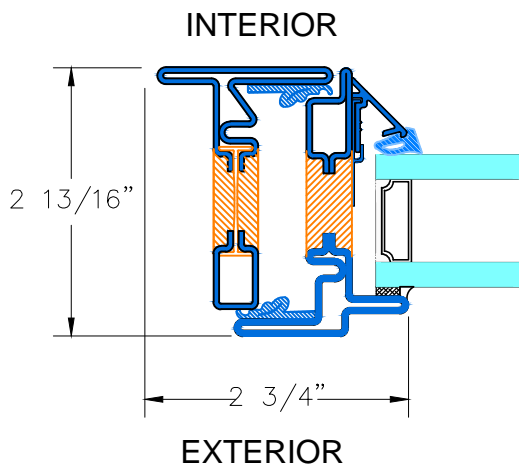


S TYPICAL JOINING MULLION

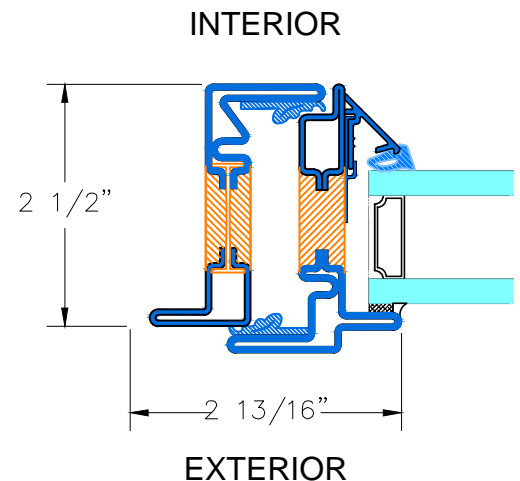


T TYPICAL STACKING MULLION

OPTIONAL FLANGE FRAME



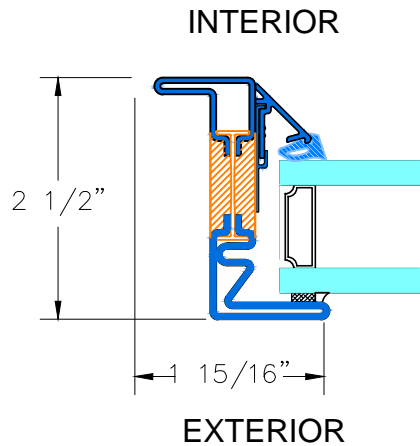
1 TYPICAL JAMB INTERIOR FLANGE



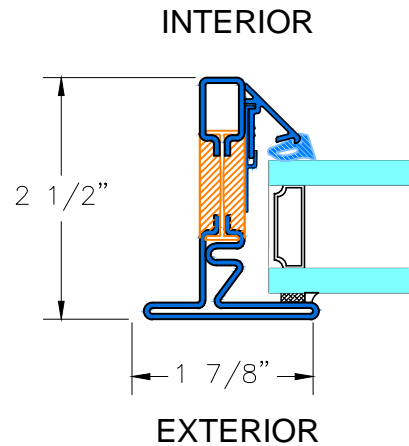
2 TYPICAL JAMB EXTERIOR FLANGE

OUTSWING CASEMENT WINDOW

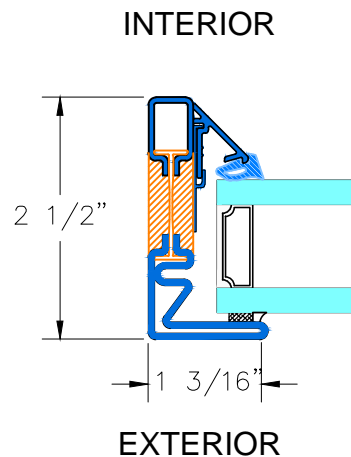
OPTIONAL FLANGE FRAME



1 TYPICAL JAMB
INTERIOR FLANGE



2 TYPICAL JAMB
EXTERIOR FLANGE



3 TYPICAL JAMB
WITH NO FLANGE