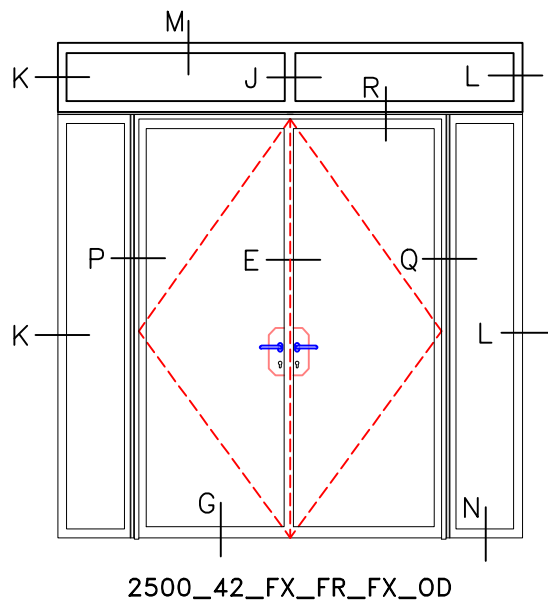
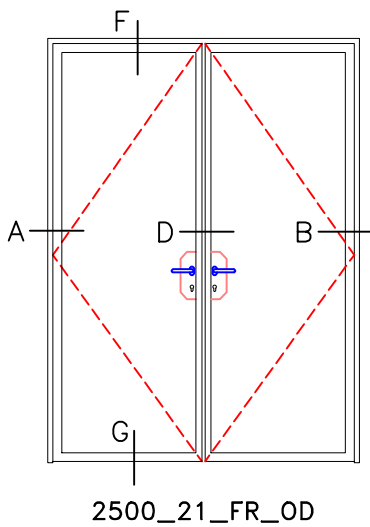
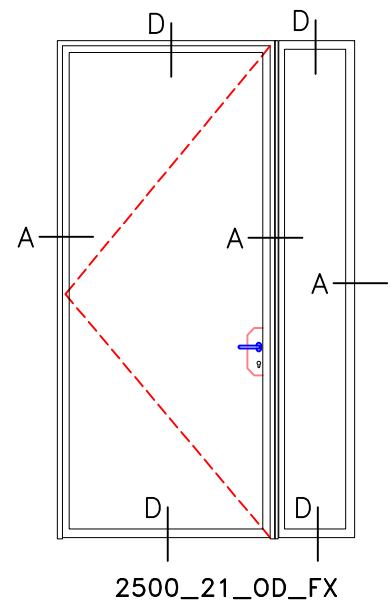
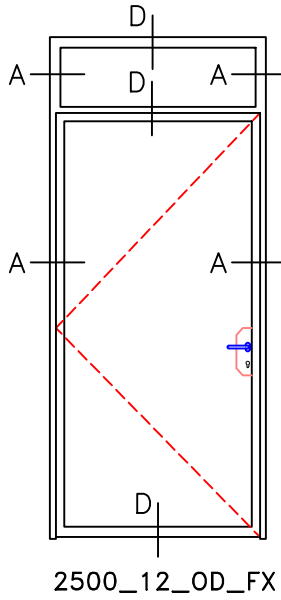
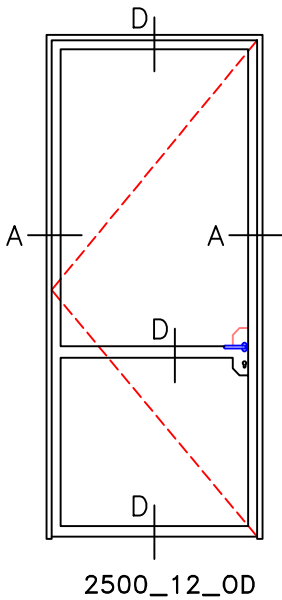


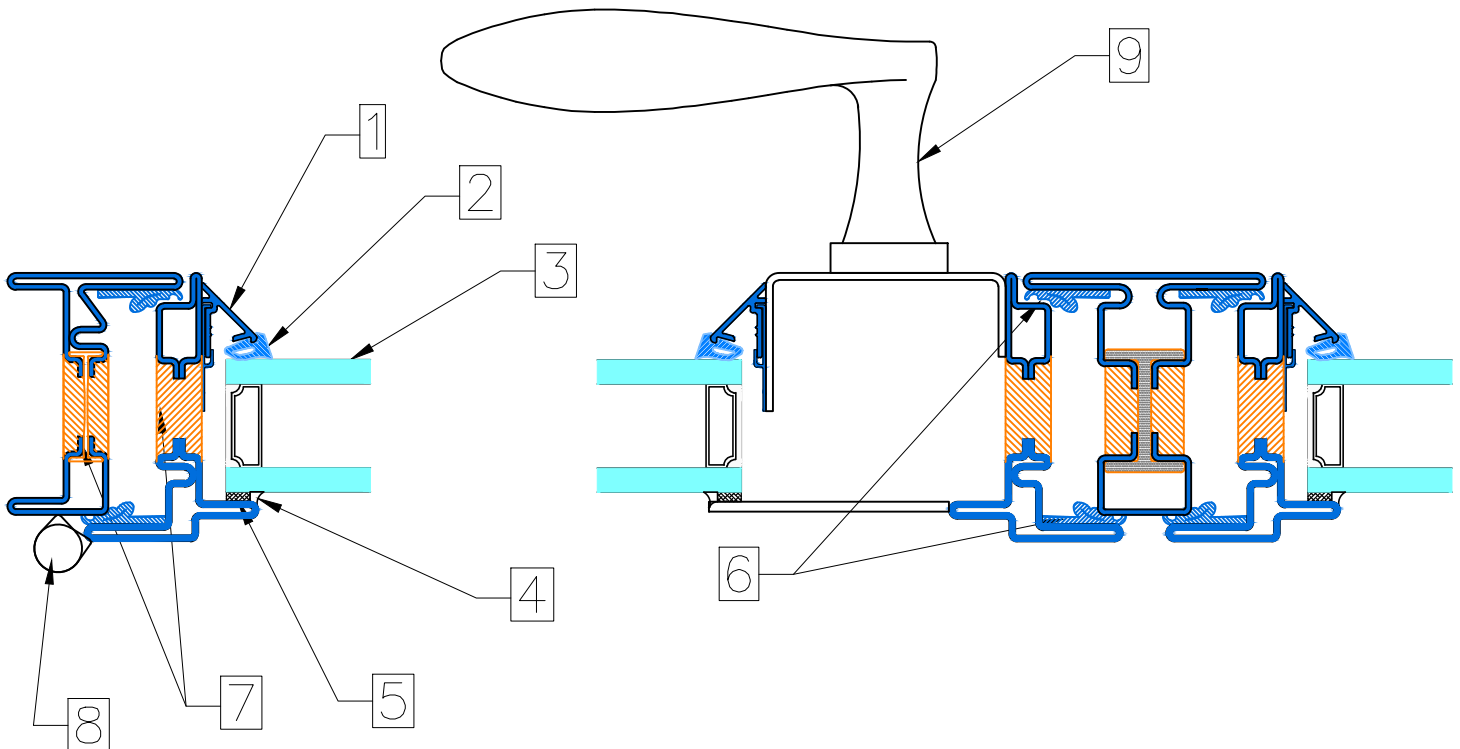
OUTSWING DOOR



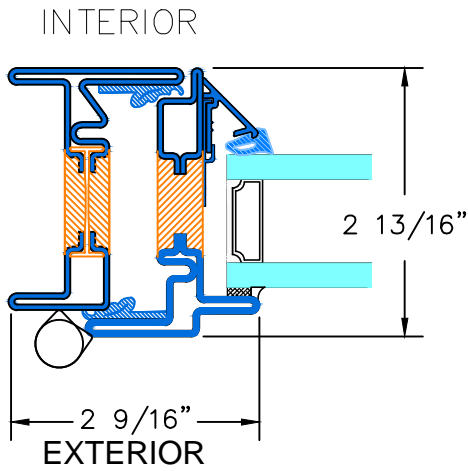
OUTSWING DOOR

KEY (TYPICAL)

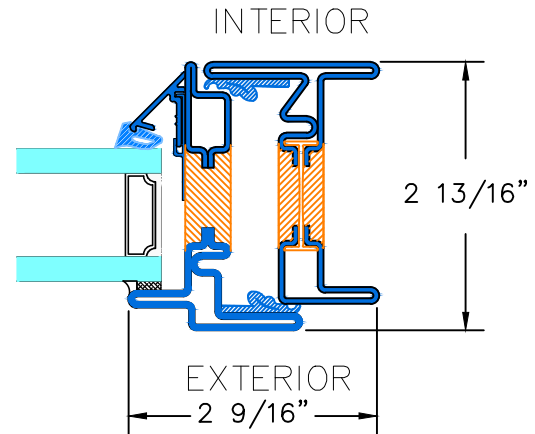
1. Steel glazing bead
2. Extruded EPDM wedge gasket
3. Glass and glazing (by others)
4. Silicone cap bead (by others)
5. Glazing tape (by others)
6. Weather stripping
7. Thermal break
8. Steel hinge
9. Rustic umber Rodos handle (other options available)



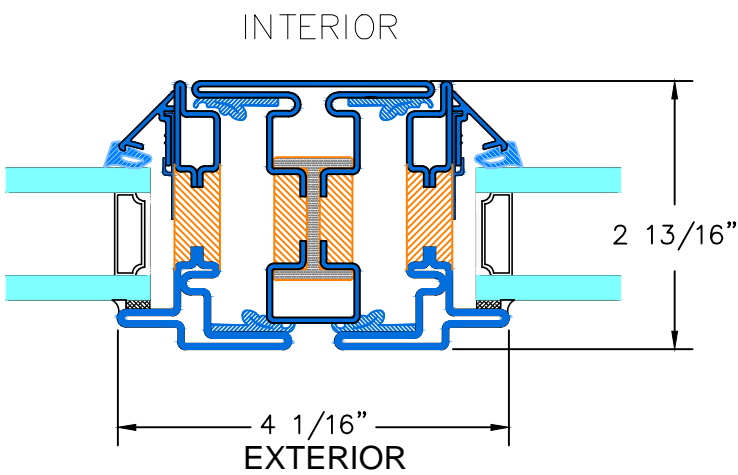
OUTSWING DOOR



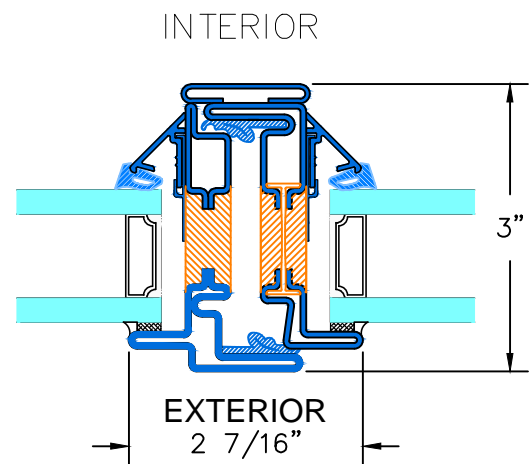
A&B TYPICAL HINGED JAMB



C TYPICAL LOCKING JAMB

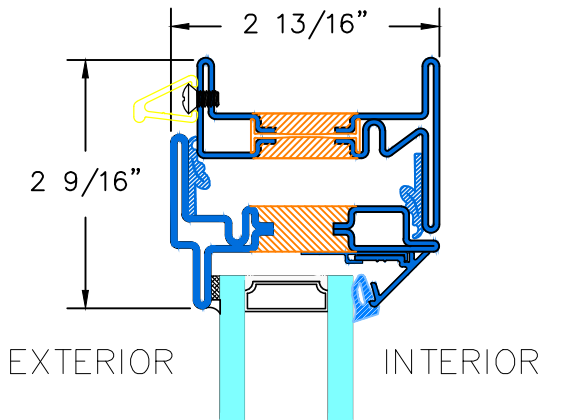


D TYPICAL MEETING RAIL

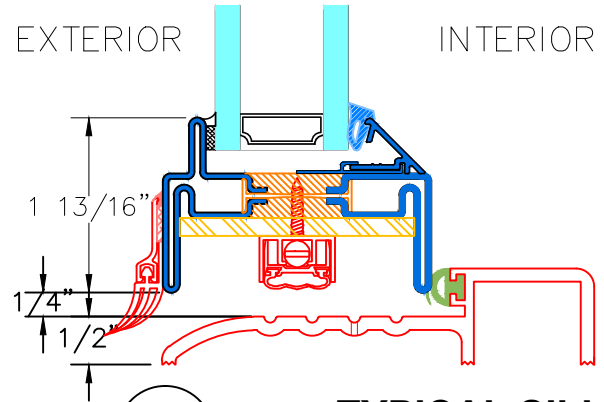


E TYPICAL FRENCH MEETING RAIL

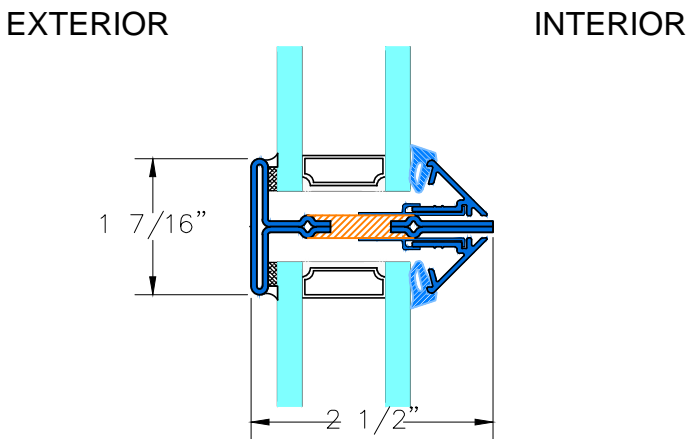
OUTSWING DOOR



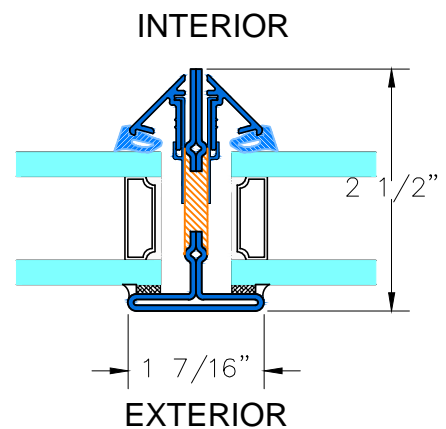
F TYPICAL OPERABLE HEAD



G TYPICAL SILL WITH OPTIONAL SADDLE

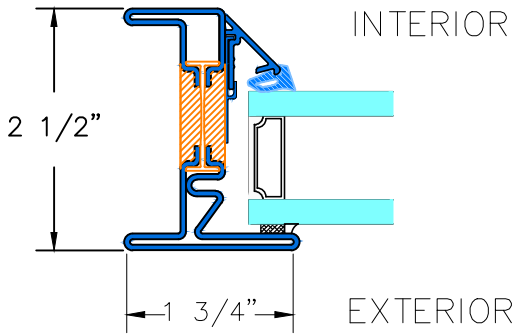


H TYPICAL HORIZONTAL MUNTIN

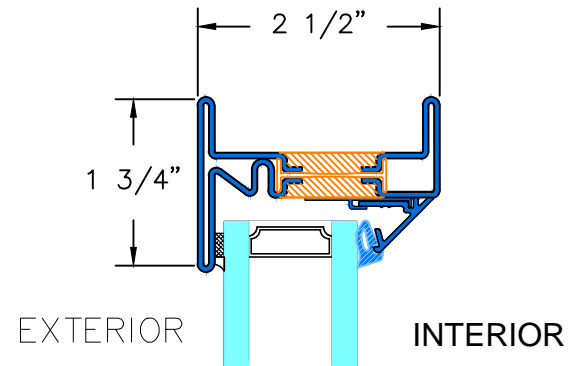


J TYPICAL VERTICAL MUNTIN

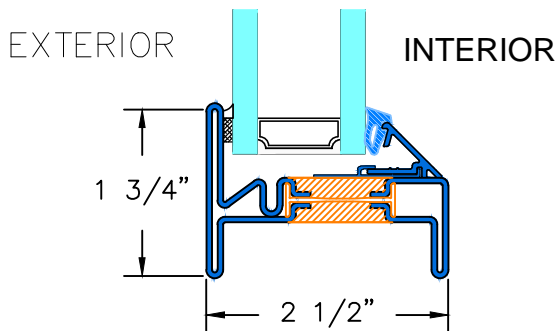
OUTSWING DOOR



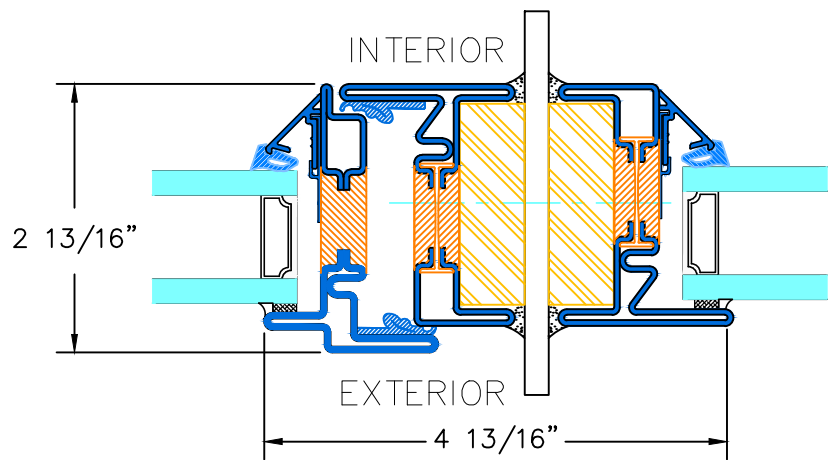
K&L TYPICAL FIXED JAMB



M TYPICAL FIXED HEAD & SILL

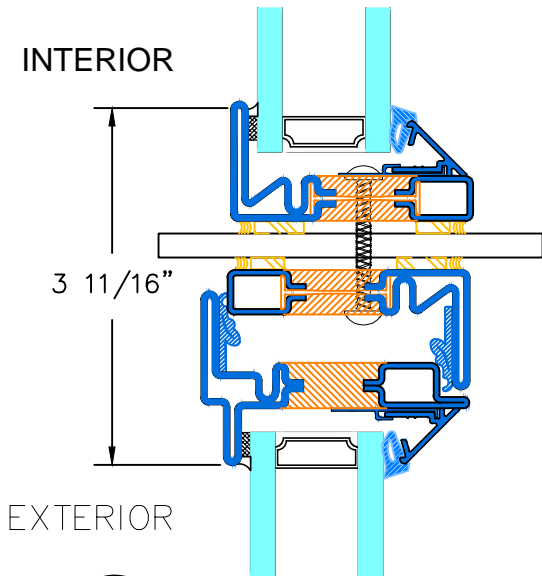


N TYPICAL FIXED SILL

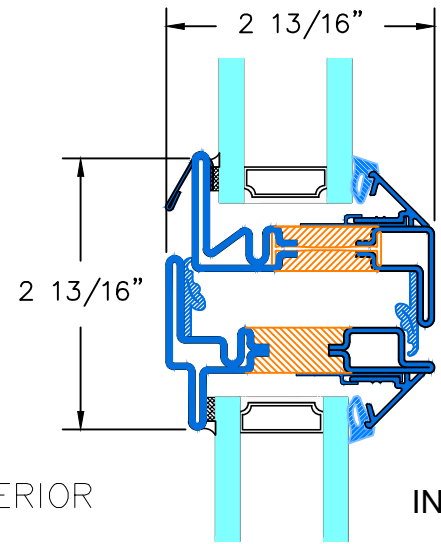


P&Q TYPICAL JAMB WITH SIDELITE

OUTSWING DOOR

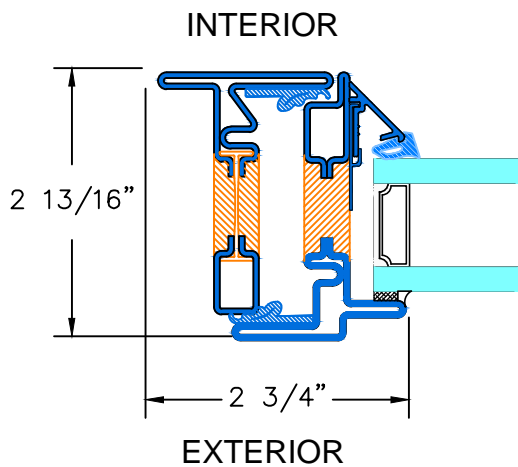


R TYPICAL STACKING TRANSOM

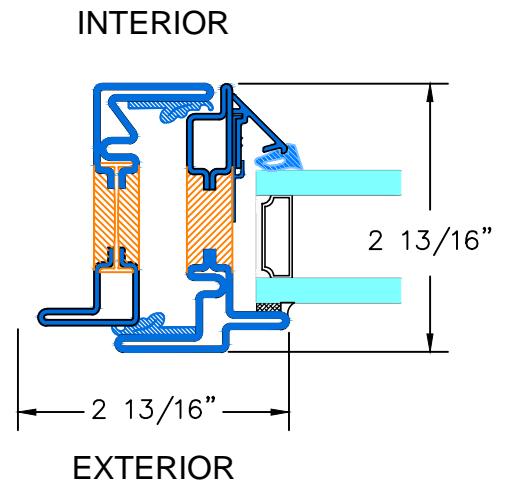


S TYPICAL OPERABLE WITH TRANSOM

OPTIONAL FLANGE OPERABLE FRAME



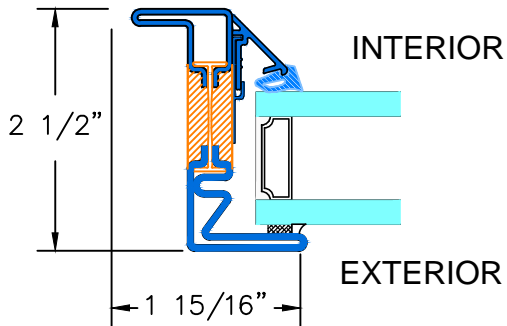
1 TYPICAL JAMB INTERIOR FLANGE



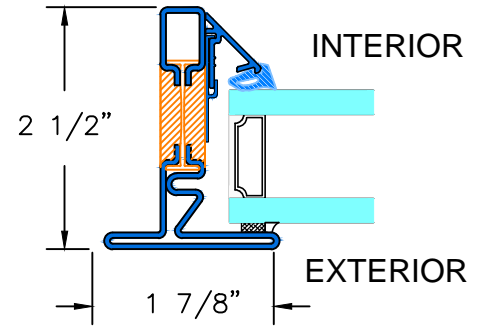
2 TYPICAL JAMB EXTERIOR FLANGE

OUTSWING DOOR

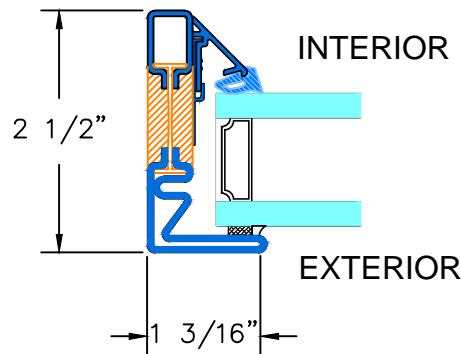
OPTIONAL FLANGE FIXED FRAME



1 TYPICAL JAMB
INTERIOR FLANGE



2 TYPICAL JAMB
EXTERIOR FLANGE



3 TYPICAL JAMB
EXTERIOR FLANGE