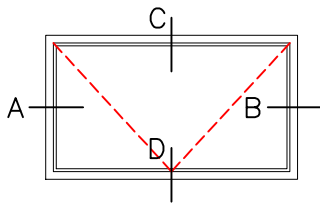
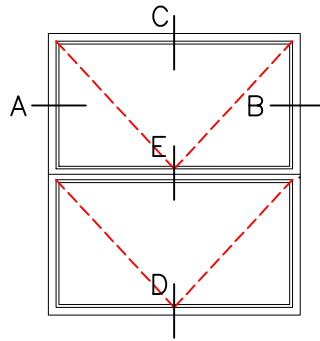


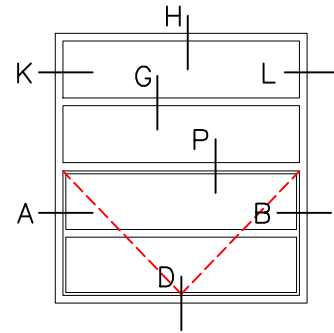
PROJECT-IN WINDOW



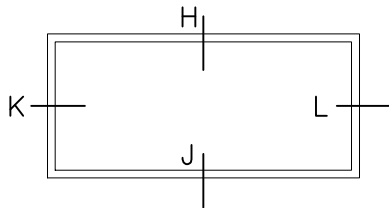
2500_11_PI



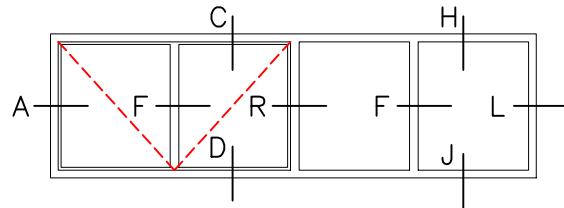
2500_12_PI_PI



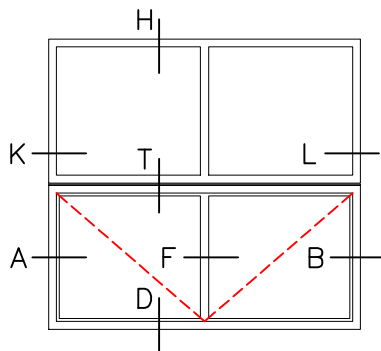
2500_14_PI_FX



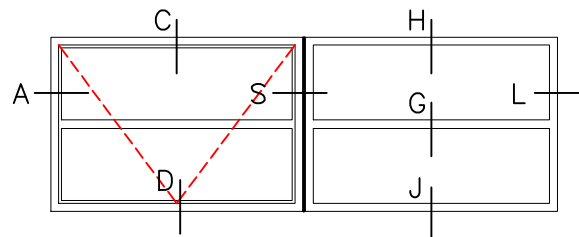
2500_11_FX



2500_41_PI_FX



2500_22_PI_FX

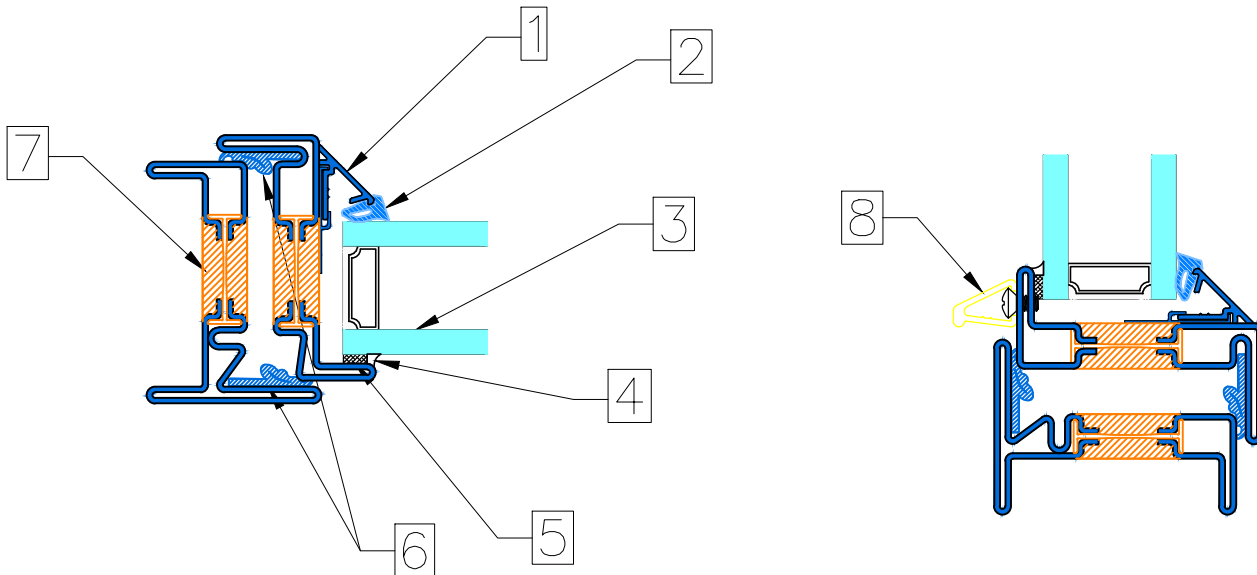


2500_22_PI_FX

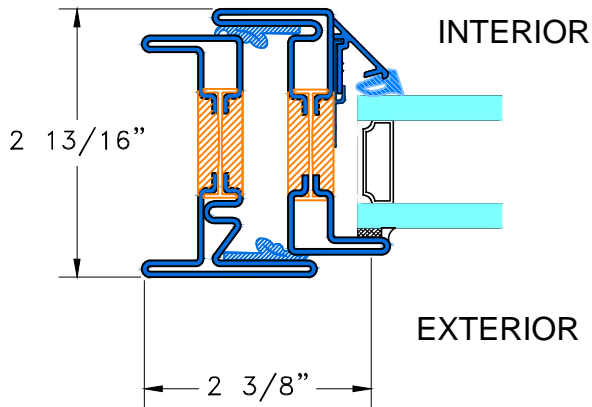
PROJECT-IN WINDOW

KEY (TYPICAL)

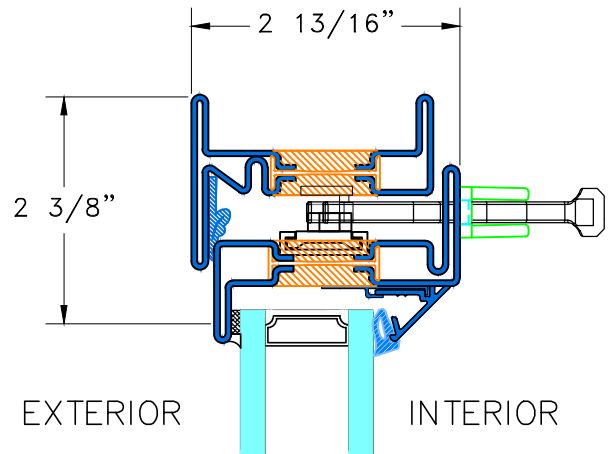
1. Steel glazing bead
2. Extruded EPDM wedge gasket
3. Glass and glazing (by others)
4. Silicone cap bead (by others)
5. Glazing tape (by others)
6. Weather stripping
7. Thermal break
8. Rain guard



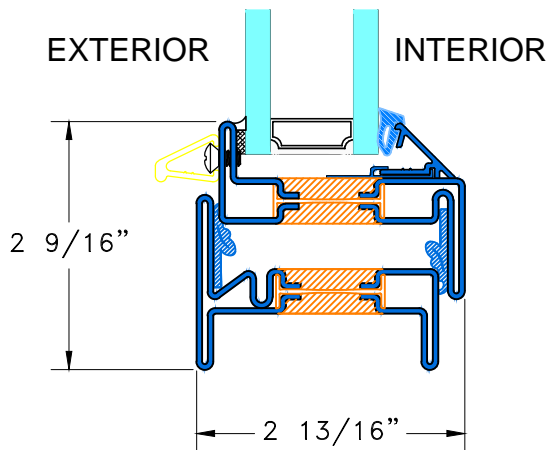
PROJECT-IN WINDOW



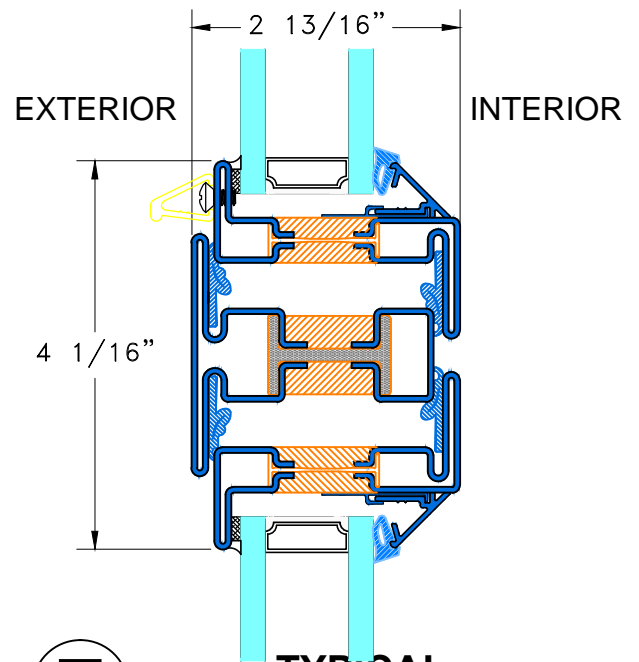
A&B TYPICAL HINGED JAMB



C TYPICAL HEAD

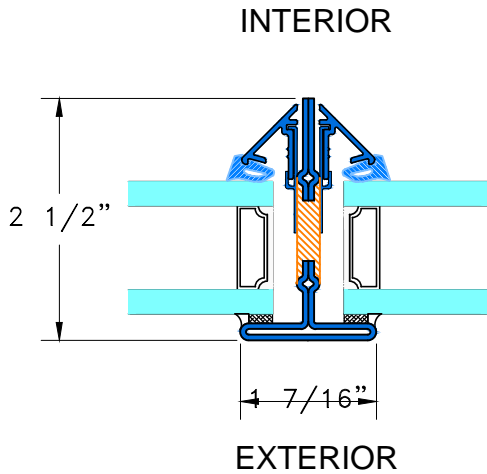


D TYPICAL SILL

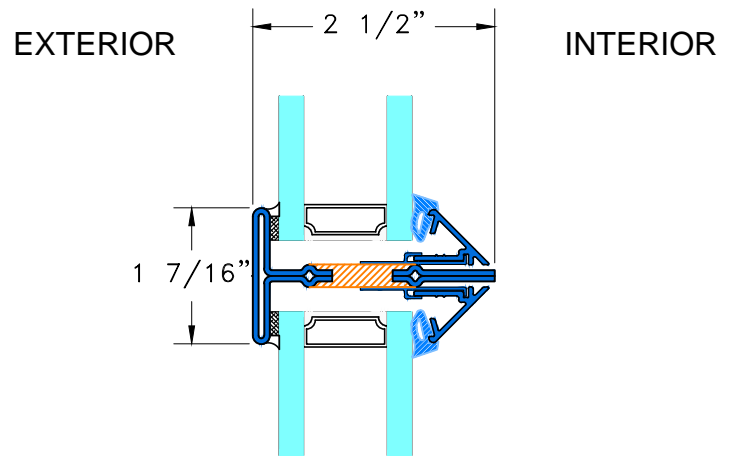


E TYPICAL STACKING JOINT

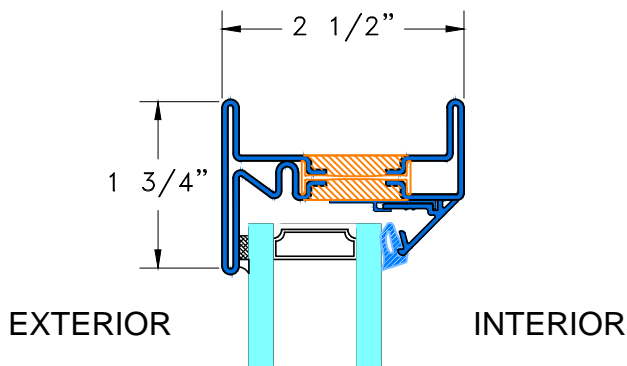
PROJECT-IN WINDOW



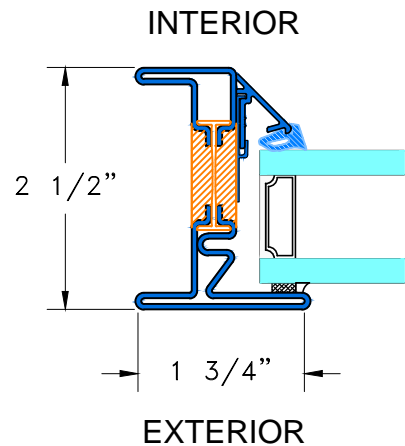
F TYPICAL VERTICAL MUNTIN



G TYPICAL HORIZONTAL MUNTIN

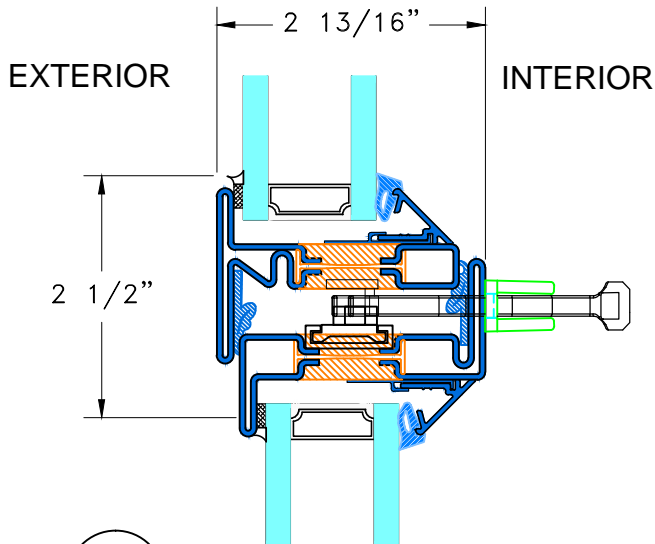


H&J TYPICAL FIXED HEAD & SILL

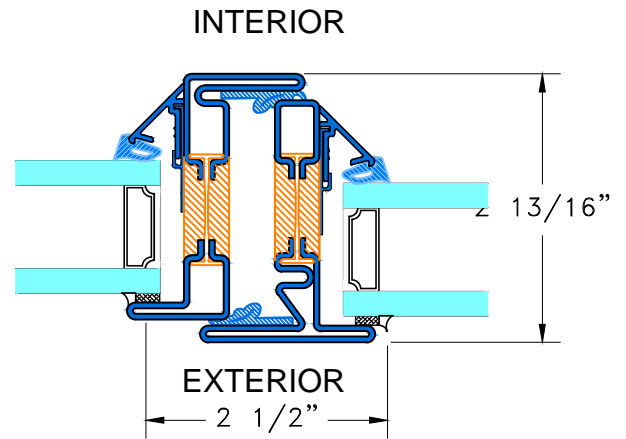


K&L TYPICAL FIXED JAMB

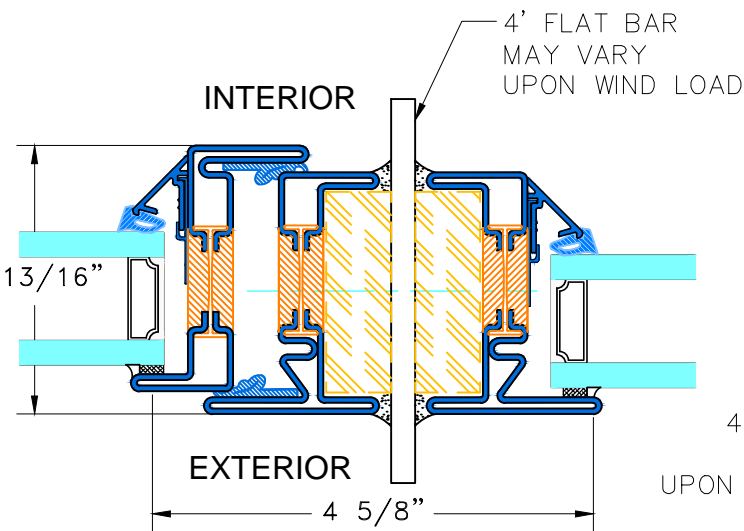
PROJECT-IN WINDOW



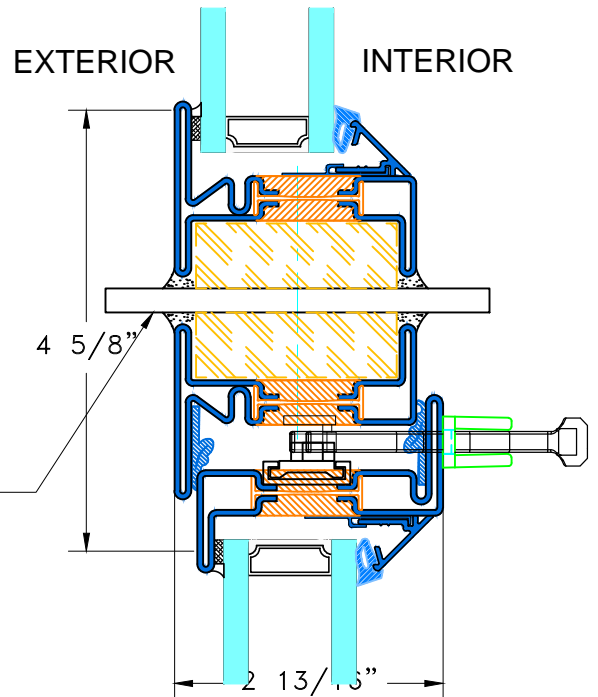
P TYPICAL STACKING TRANSOM



R TYPICAL JOINING SIDELITE



S TYPICAL JOINING MULLION

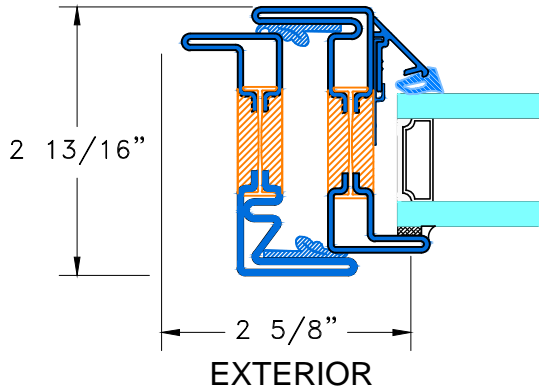


T TYPICAL STACKING MULLION

PROJECT-IN WINDOW

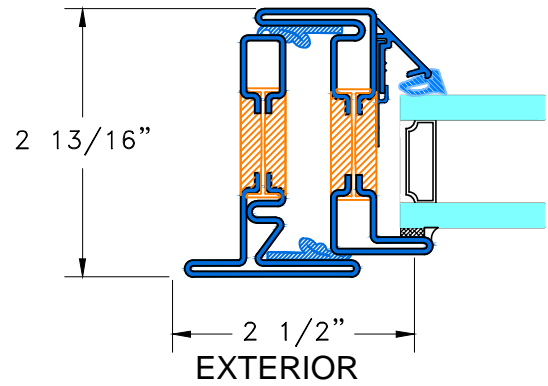
OPTIONAL FLANGE FRAME

INTERIOR



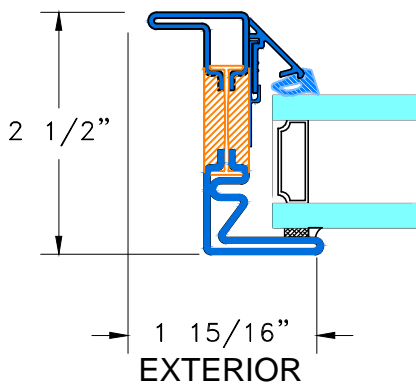
1 TYPICAL JAMB INTERIOR FLANGE

INTERIOR



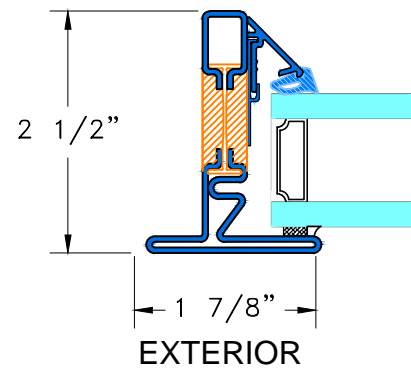
2 TYPICAL JAMB EXTERIOR FLANGE

INTERIOR



3 TYPICAL FIXED INTERIOR FLANGE

INTERIOR



4 TYPICAL FIXED EXTERIOR FLANGE