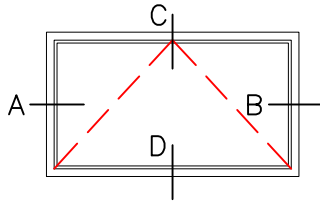
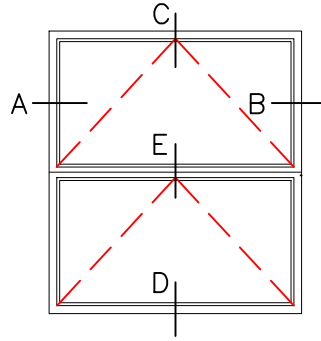


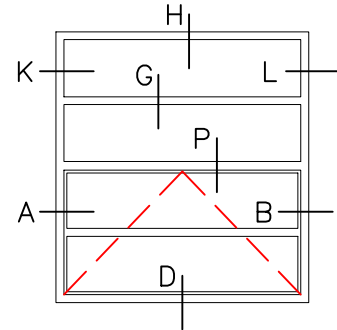
### PROJECT-OUT WINDOW



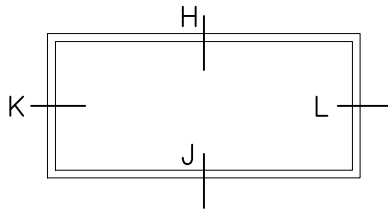
2500\_11\_PO



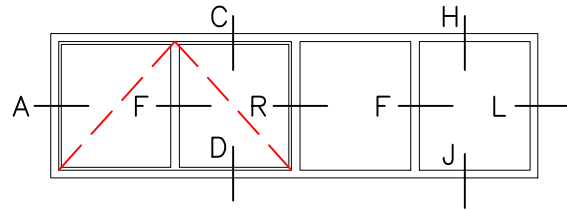
2500\_12\_PO\_PO



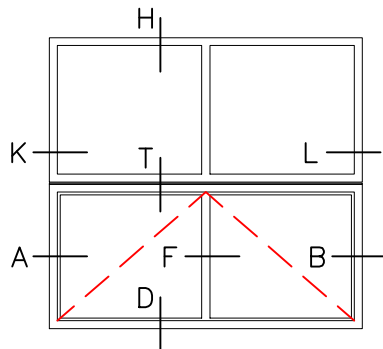
2500\_14\_PO\_FX



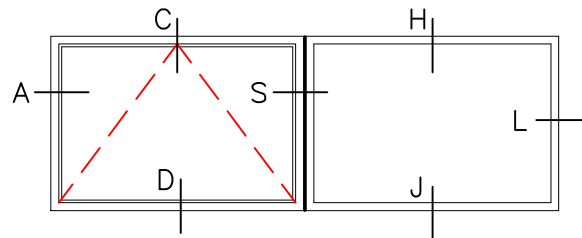
2500\_11\_FX



2500\_41\_PO\_FX



2500\_22\_PO\_FX

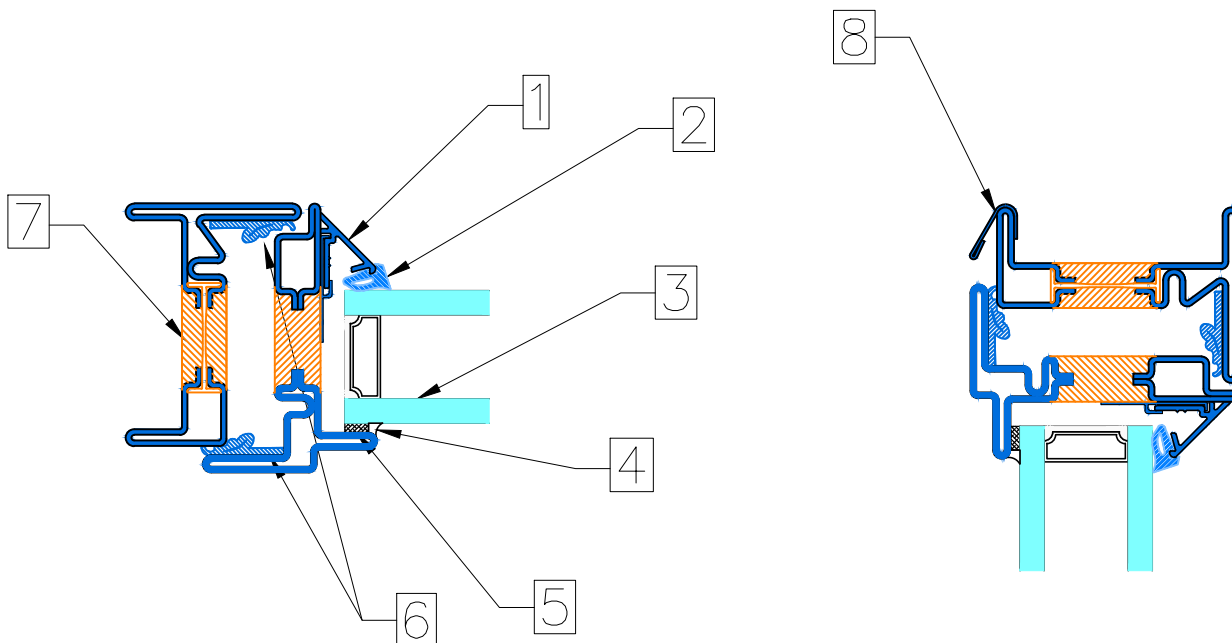


2500\_21\_PO\_FX

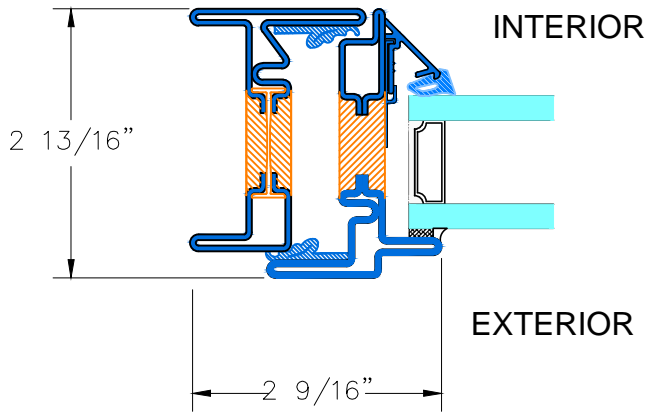
## PROJECT-OUT WINDOW

### KEY (TYPICAL)

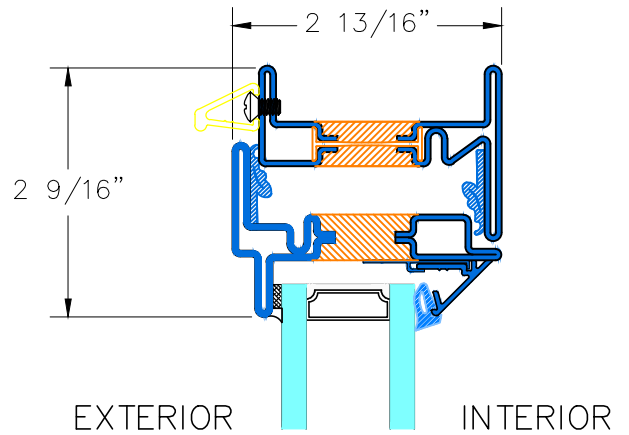
1. Steel glazing bead
2. Extruded EPDM wedge gasket
3. Glass and glazing (by others)
4. Silicone cap bead (by others)
5. Glazing tape (by others)
6. Weather stripping
7. Thermal break
8. Rain guard



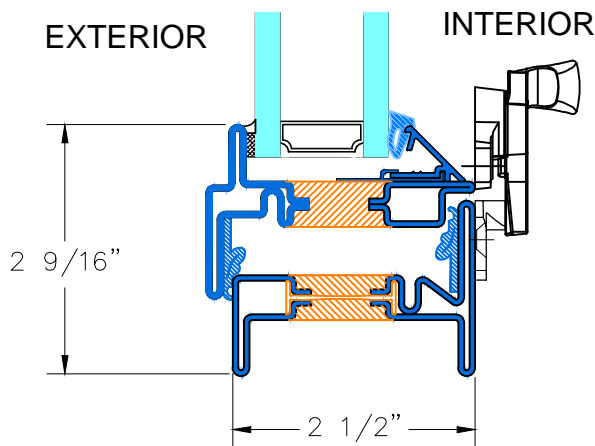
**PROJECT-OUT WINDOW**



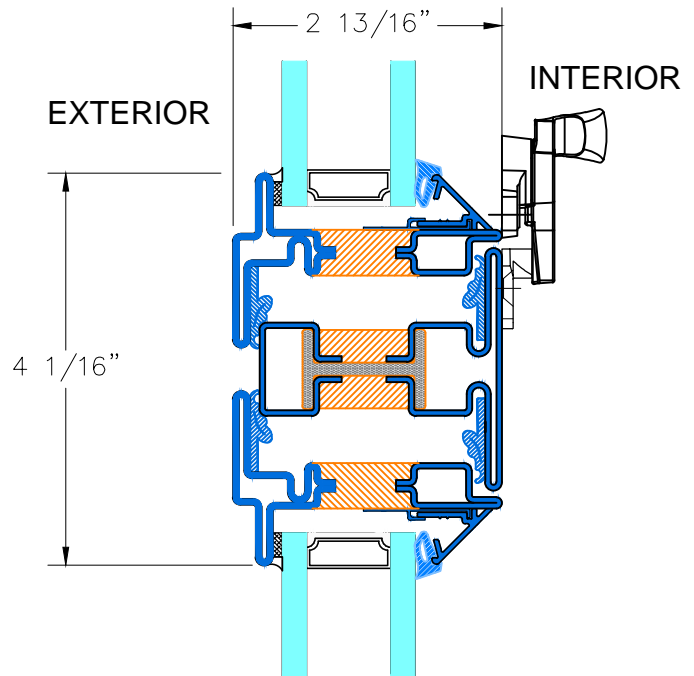
**A&B** TYPICAL HINGED JAMB



**C** TYPICAL HEAD

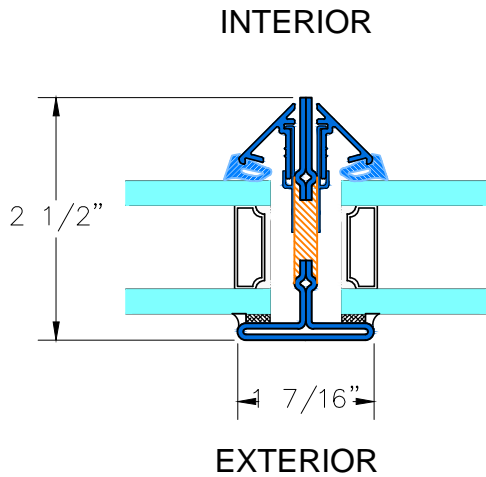


**D** TYPICAL SILL

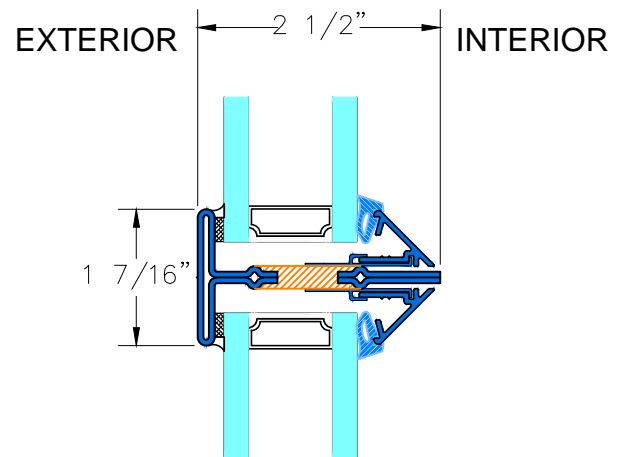


**E** TYPICAL STACKING JOINT

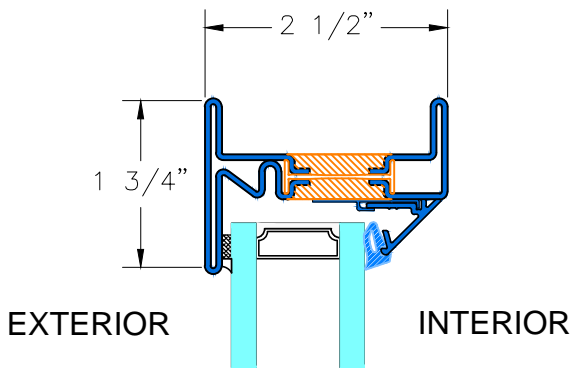
**PROJECT-OUT WINDOW**



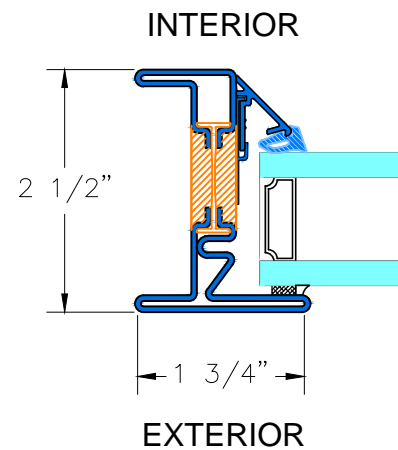
**F** **TYPICAL VERTICAL MUNTIN**



**G** **TYPICAL HORIZONTAL MUNTIN**

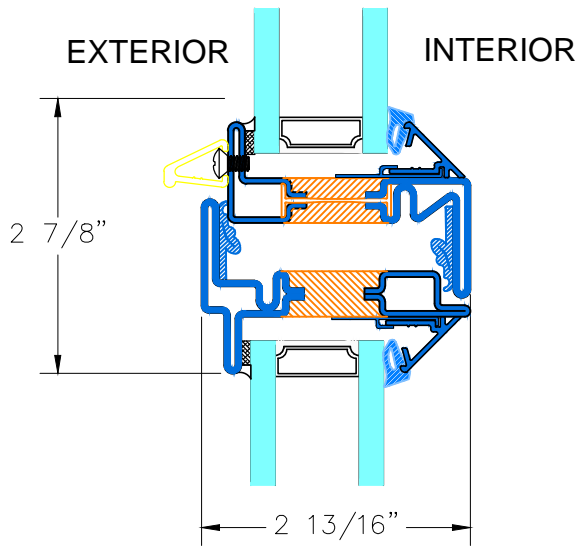


**H&J** **TYPICAL FIXED HEAD & SILL**

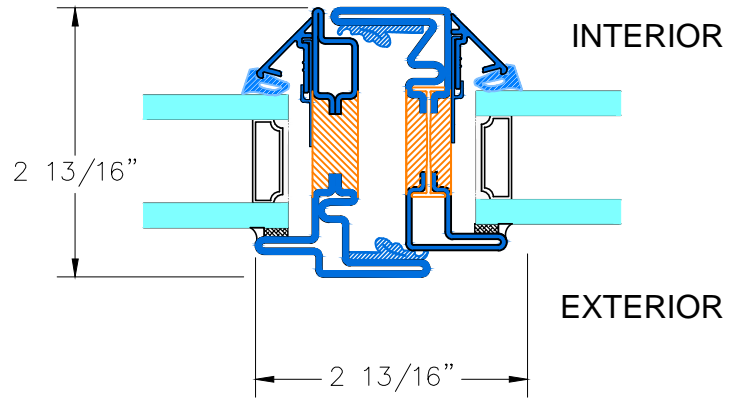


**K&L** **TYPICAL FIXED JAMB**

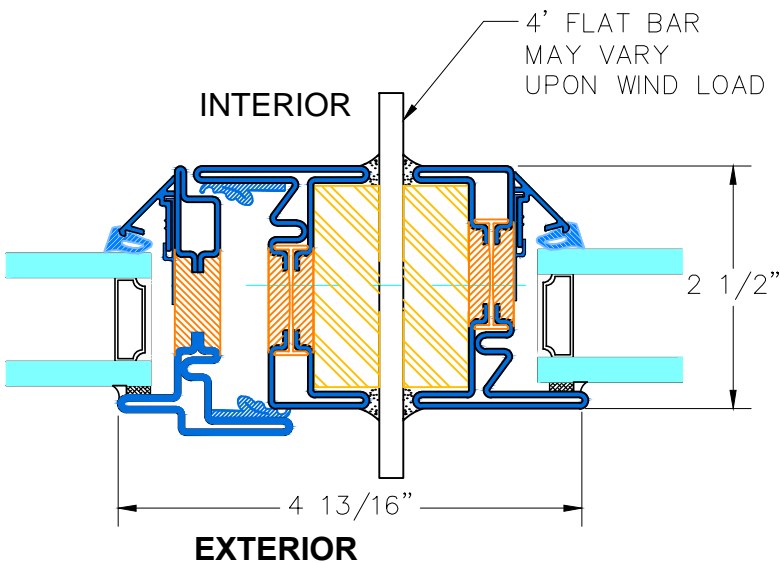
PROJECT-OUT WINDOW



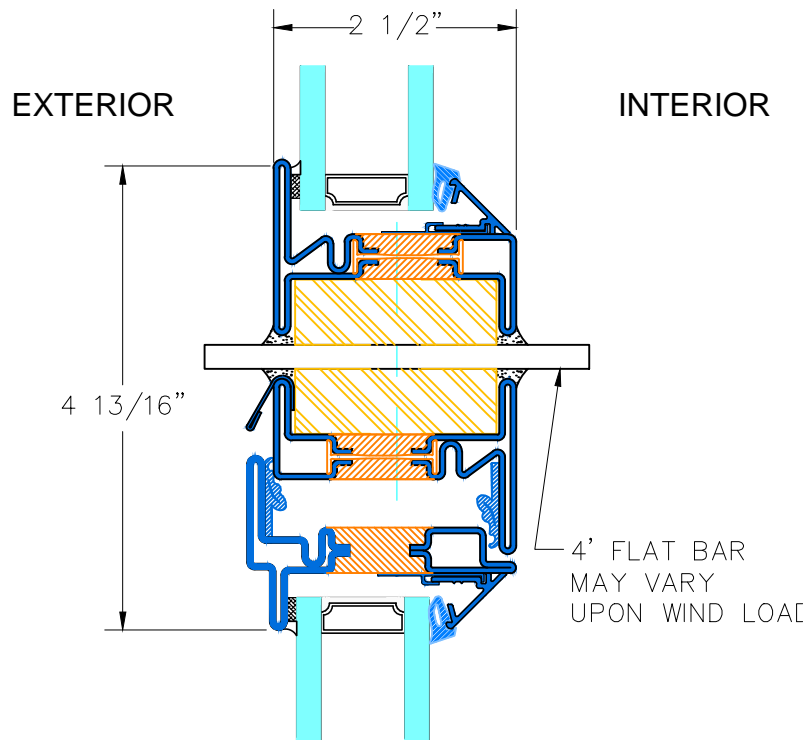
**P** TYPICAL STACKING TRANSOM



**R** TYPICAL JOINING SIDELITE



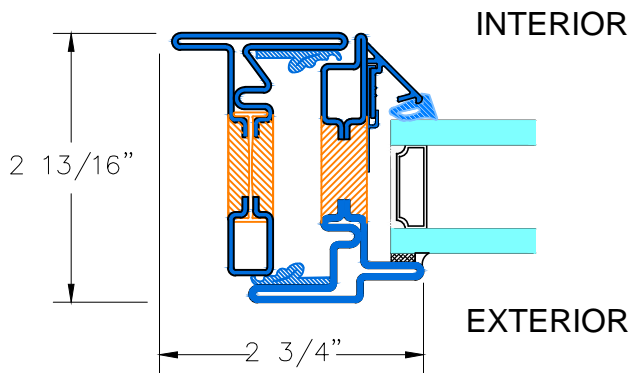
**S** TYPICAL JOINING MULLION



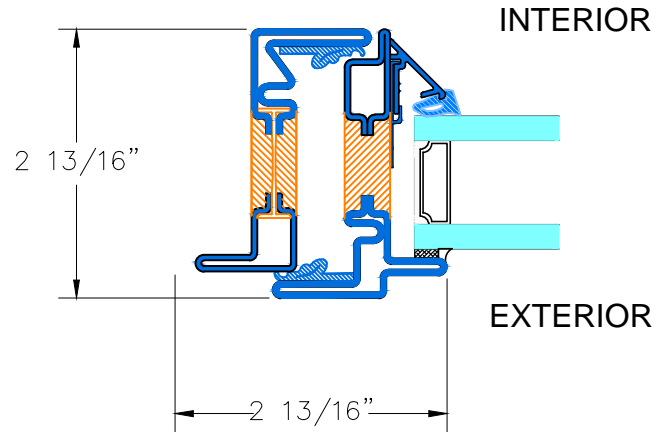
**T** TYPICAL STACKING MULLION

# PROJECT-OUT WINDOW

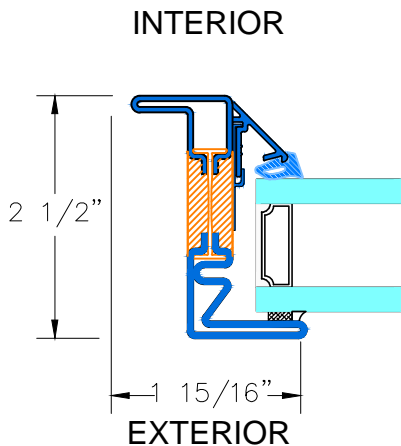
## OPTIONAL FLANGE FRAME



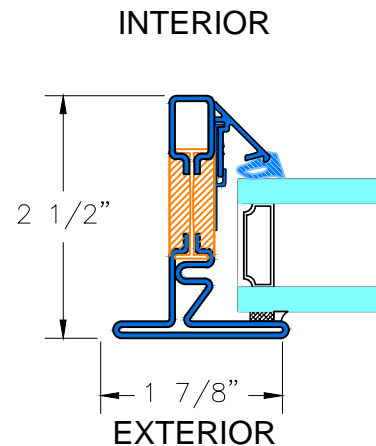
**1** TYPICAL JAMB INTERIOR FLANGE



**2** TYPICAL JAMB EXTERIOR FLANGE



**3** TYPICAL FIXED INTERIOR FLANGE



**4** TYPICAL FIXED EXTERIOR FLANGE