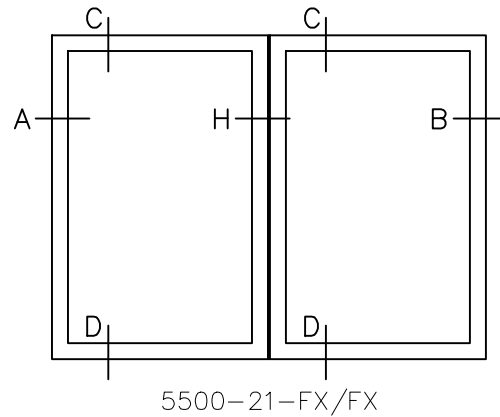
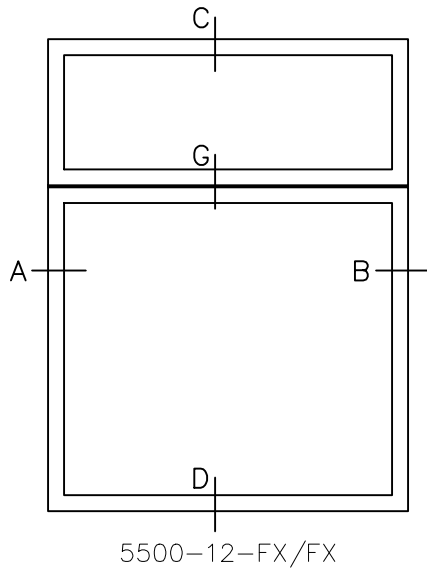
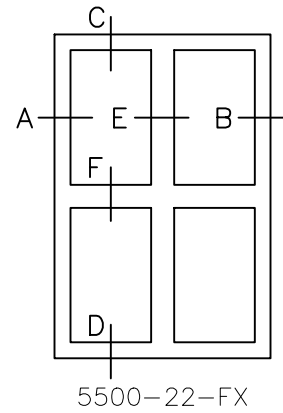
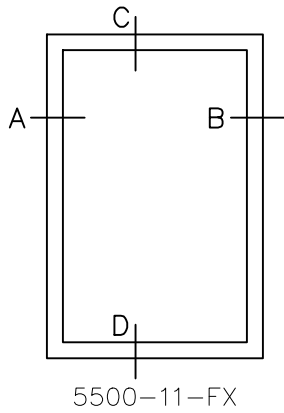
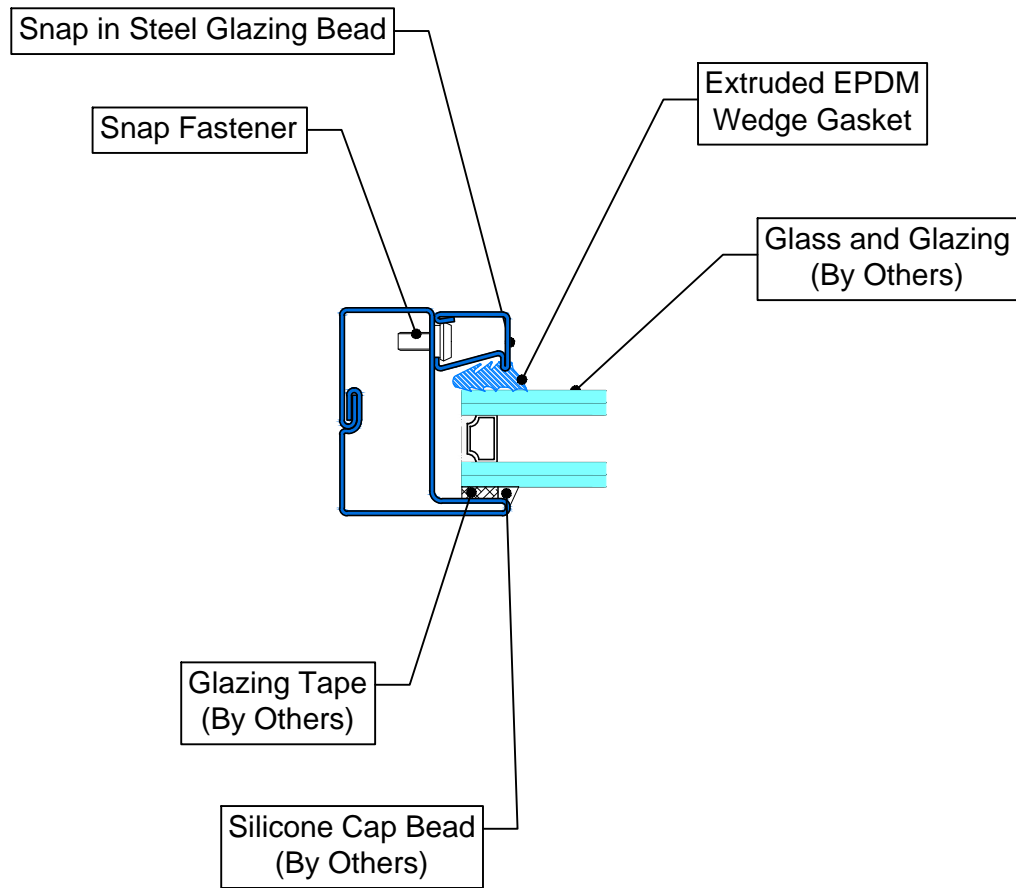


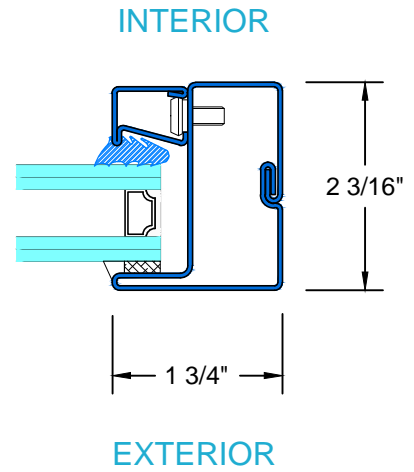
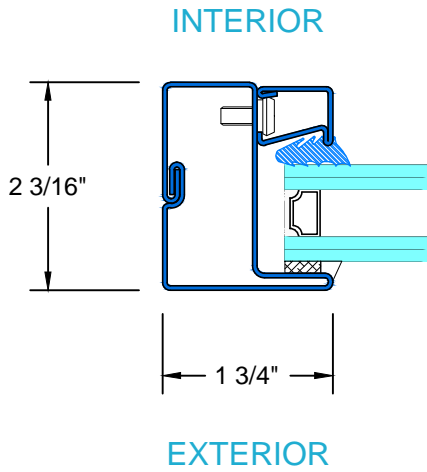
FIXED WINDOW



FIXED WINDOW

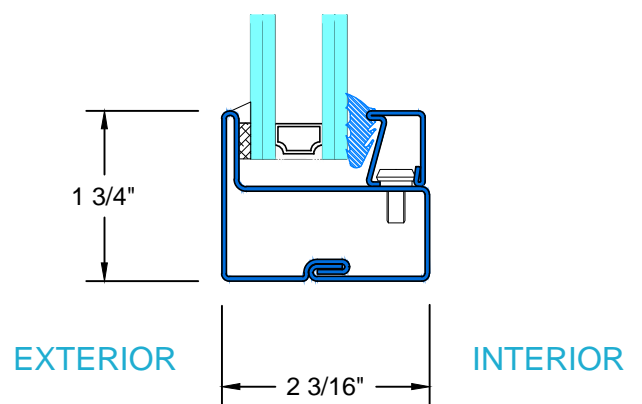
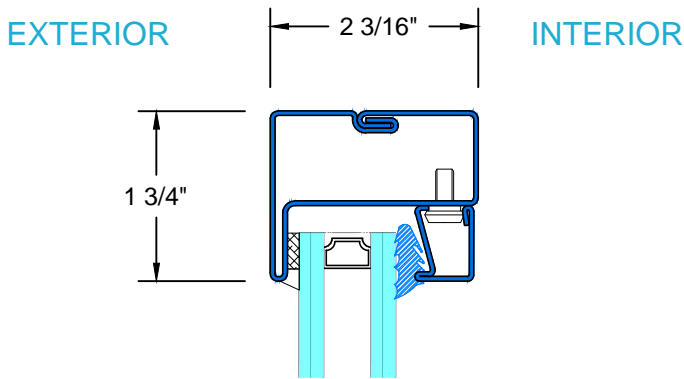


FIXED WINDOW



A TYPICAL JAMB

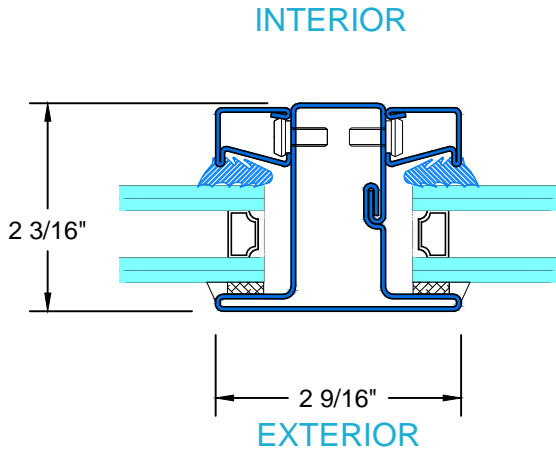
B TYPICAL JAMB



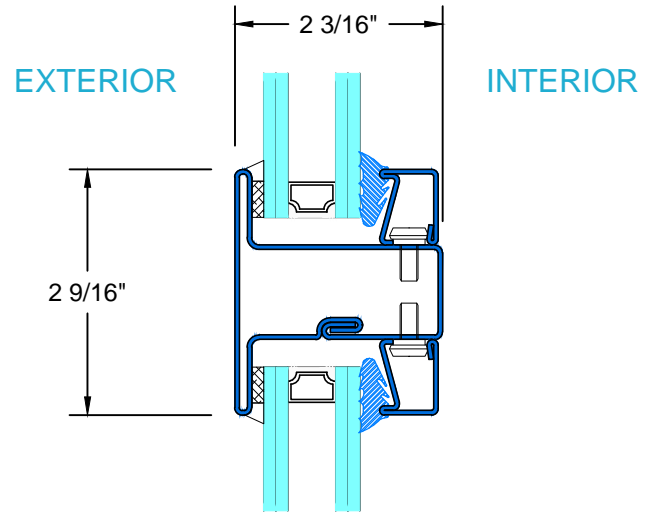
C TYPICAL HEAD

D TYPICAL SILL

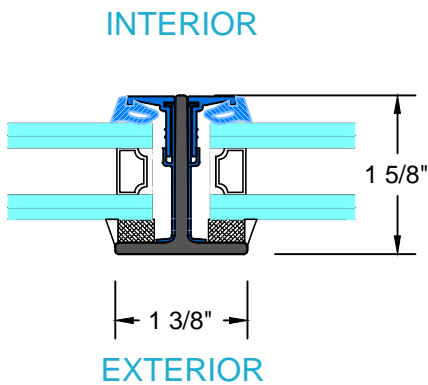
FIXED WINDOW



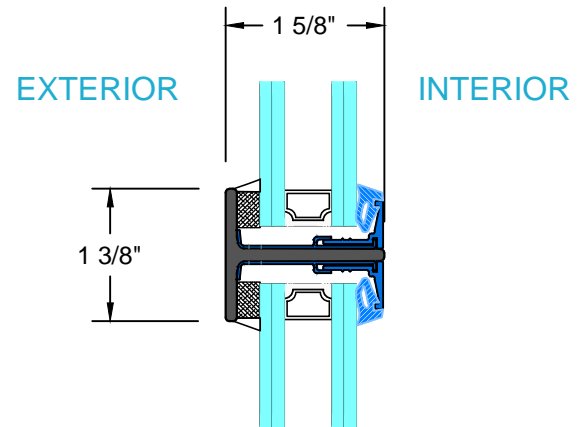
E TYPICAL VERTICAL MUNTIN



F TYPICAL HORIZONTAL MUNTIN

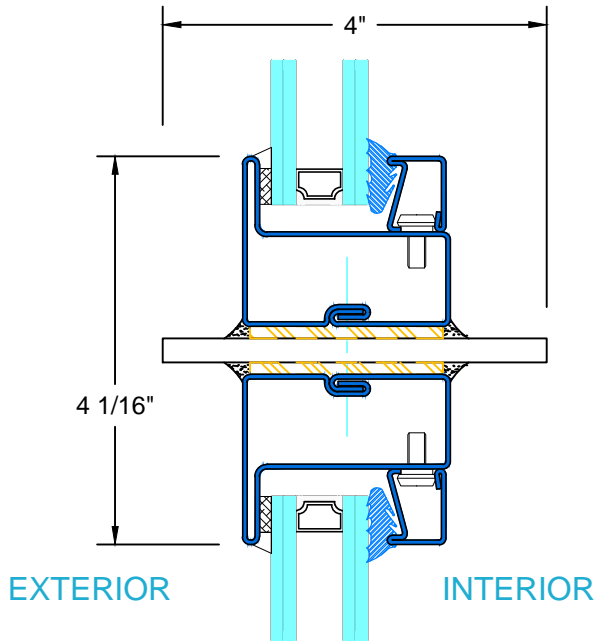


E OPTIONAL HR VERTICAL MUNTIN

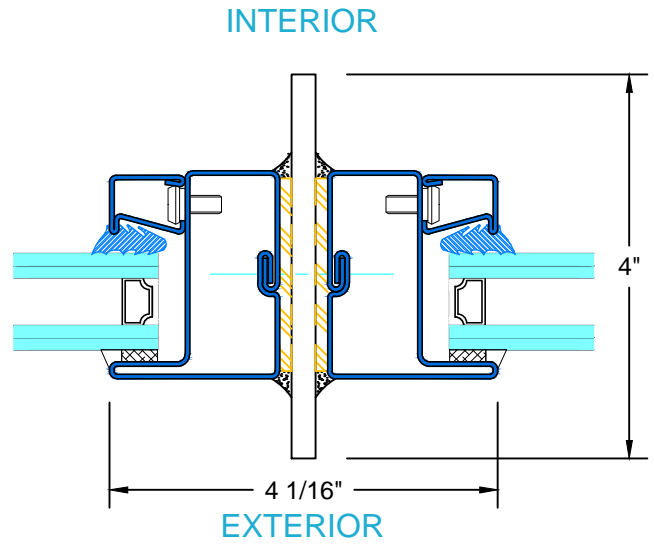


F OPTIONAL HR HORIZONTAL MUNTIN

FIXED WINDOW

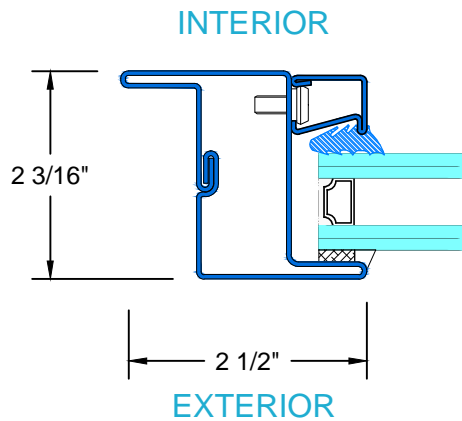


G TYPICAL STACKING MULLION

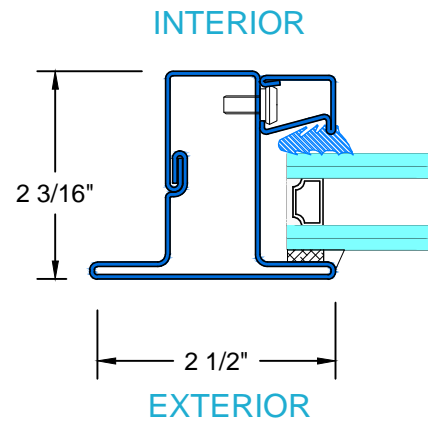


H TYPICAL JOINING MULLION

OPTIONAL FLANGE FRAME



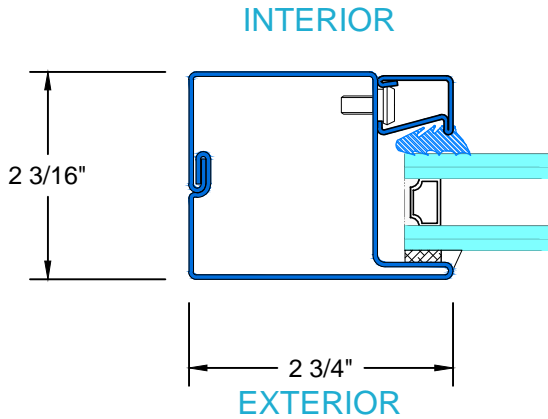
1 TYPICAL JAMB INTERIOR FLANGE



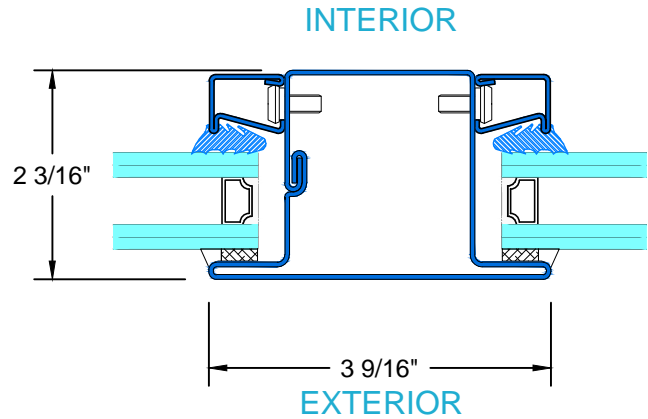
2 TYPICAL JAMB EXTERIOR FLANGE

FIXED WINDOW

OPTIONAL LARGE FRAME

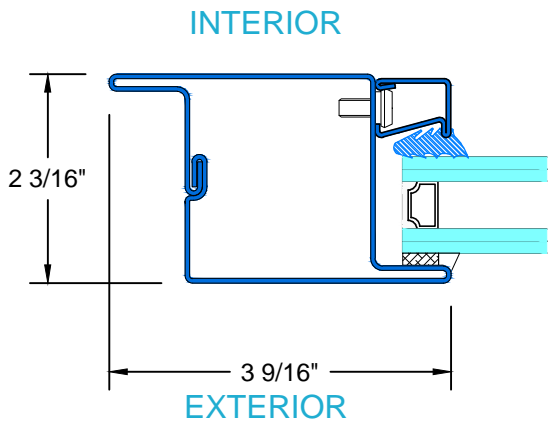


1 TYPICAL LARGE JAMB

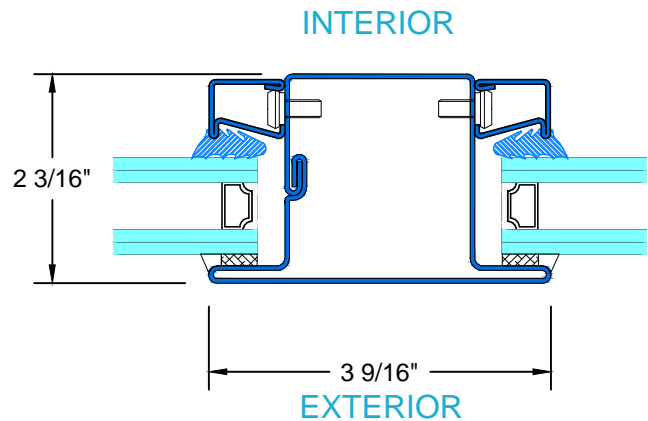


2 TYPICAL LARGE MUNTIN

OPTIONAL LARGE FLANGE FRAME



3 TYPICAL LARGE JAMB INTERIOR FLANGE



4 TYPICAL LARGE JAMB EXTERIOR FLANGE