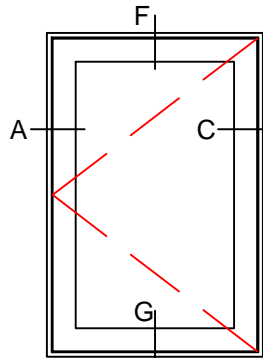
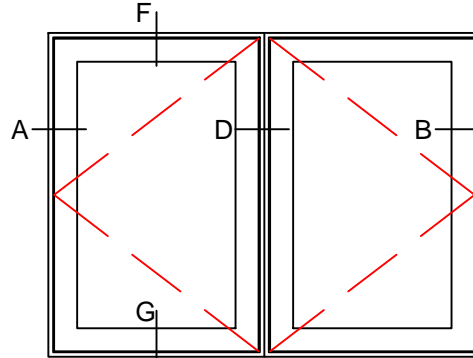


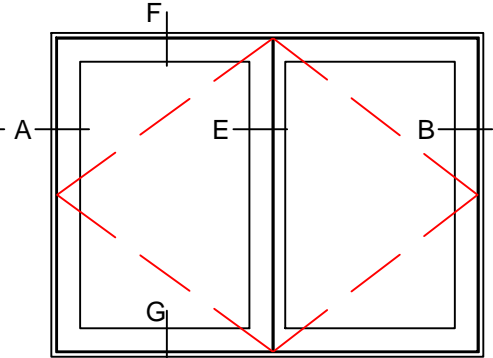
OUTSWING CASEMENT



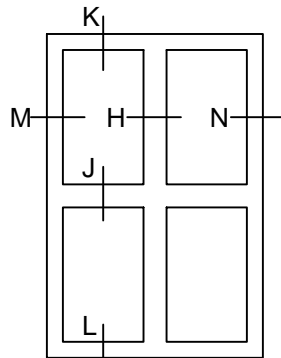
5500_11_OC



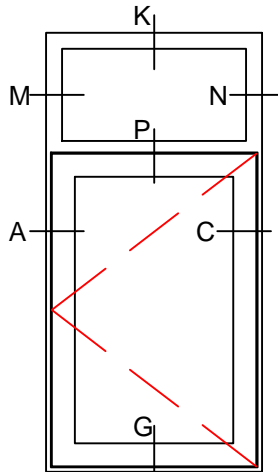
5500_21_DC_OC



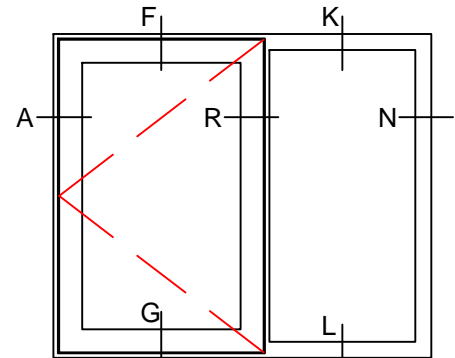
5500_21_FR_OC



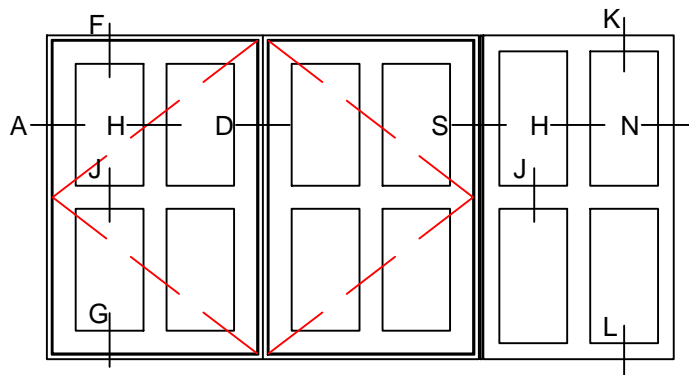
5500_22_FX



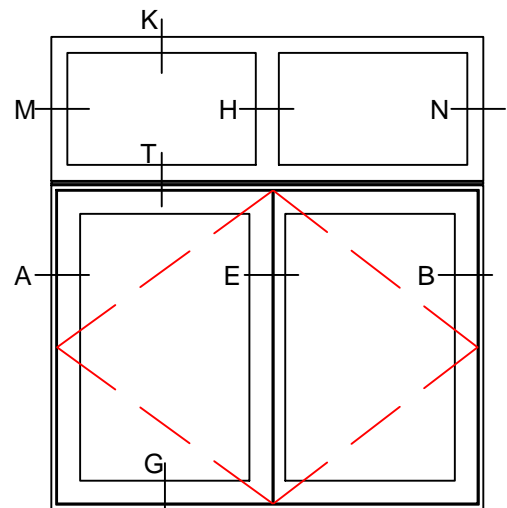
5500_12_OC_FX



5500_21_OC_FX



5500_62_DC_OC_FX



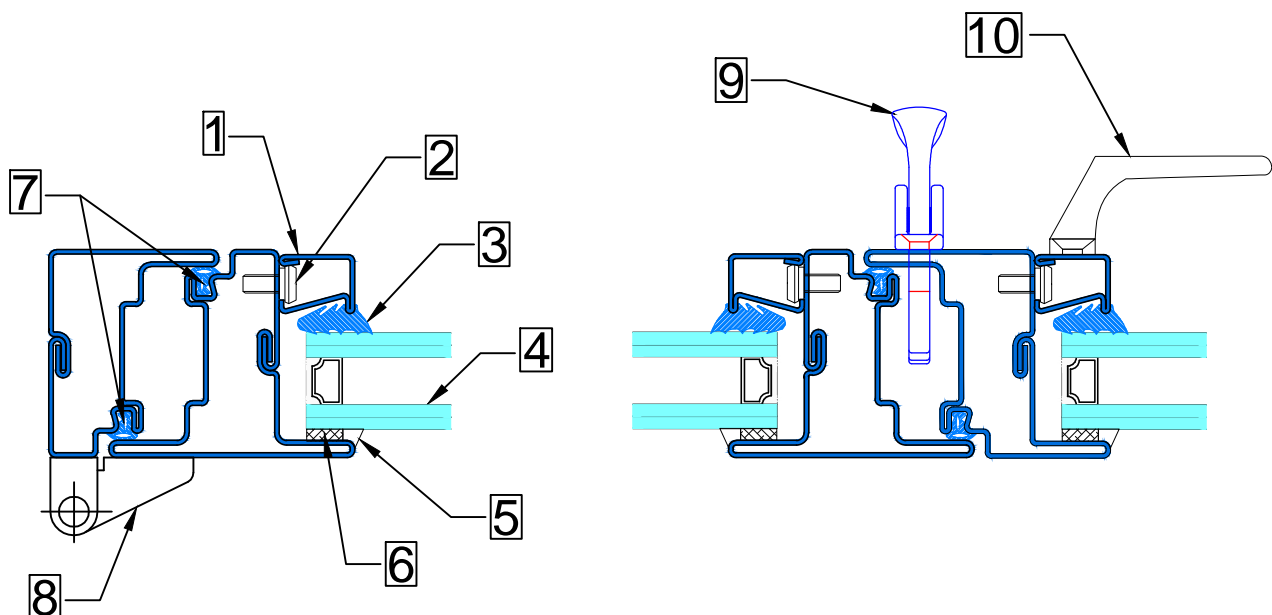
5500_22_FR_OC_FX

OUTSWING CASEMENT

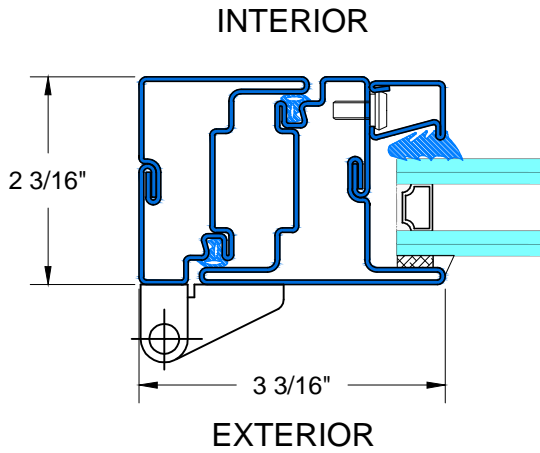
1. Snap in steel glazing bead
2. Snap fastener
3. Extruded EPDM wedge gasket (by OWM)
4. Glass and glazing (by others)
5. Silicone cap bead (by others)
6. Glazing tape (by others)
7. Weather stripping
8. Steel flex hinge
9. White bronze multipoint fastener with keeper

*Note: White bronze hardware is OWM's standard (other finishes and options available)

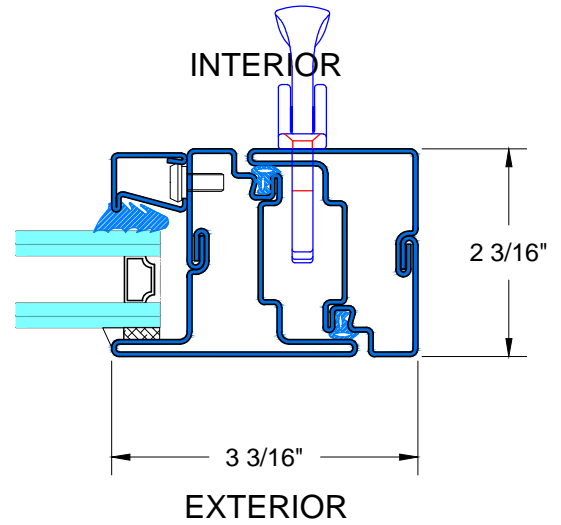
10. White bronze T-pull (located 4" above fastener)



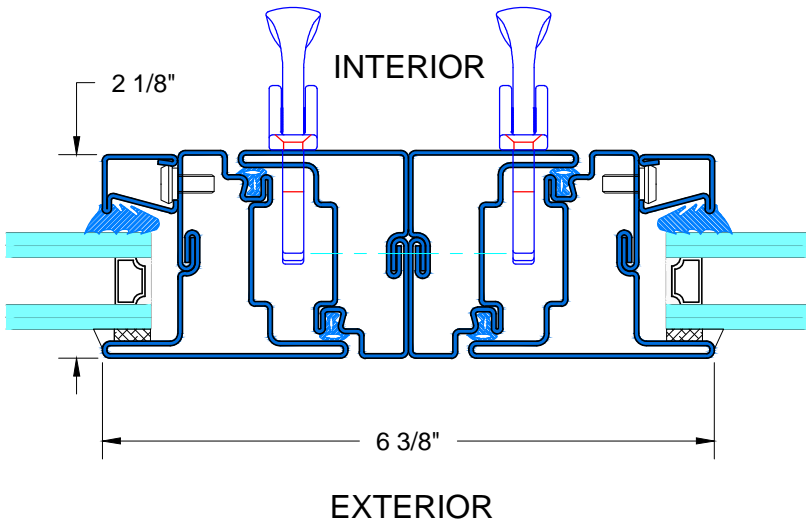
OUTSWING CASEMENT



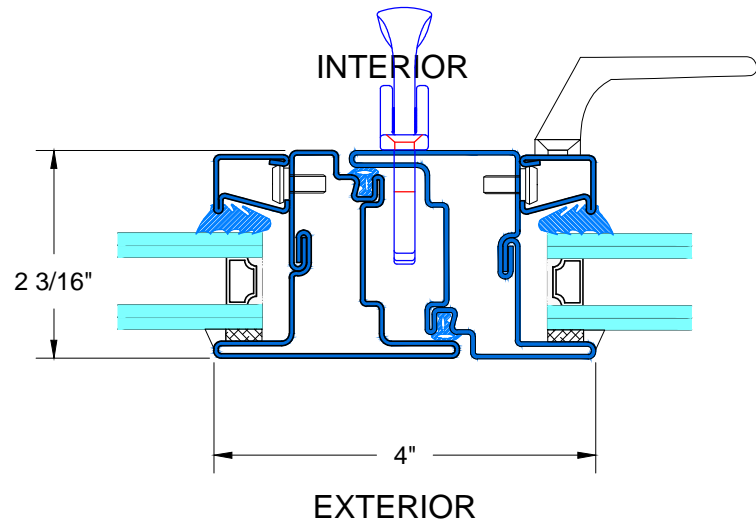
A&B TYPICAL HINGED JAMB



C TYPICAL LOCKING JAMB

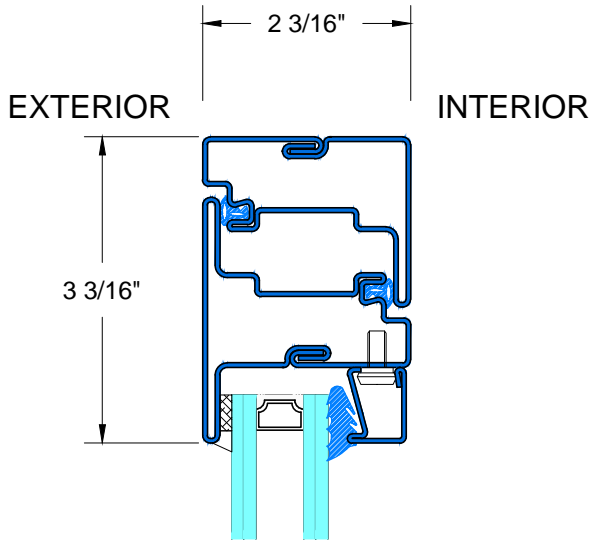


D TYPICAL MEETING RAIL

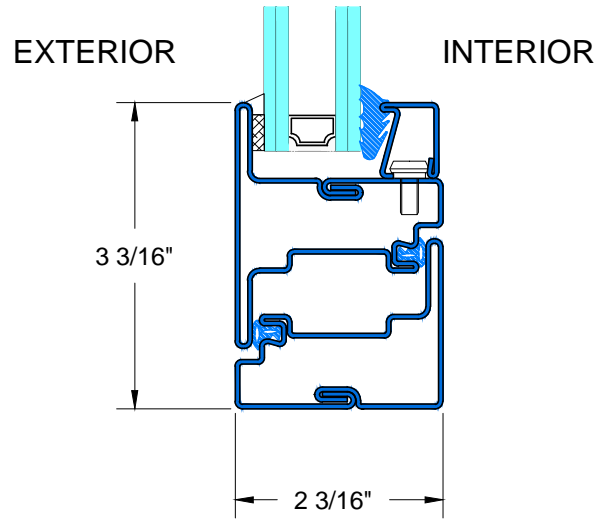


E TYPICAL FRENCH MEETING RAIL

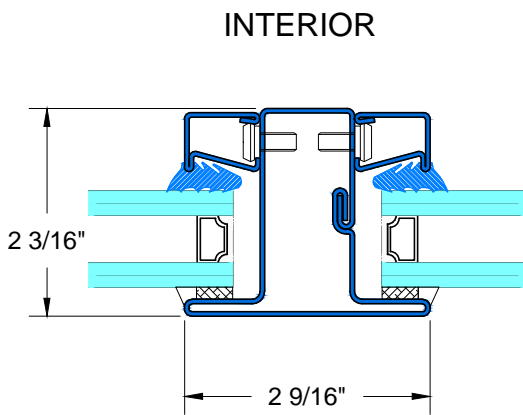
OUTSWING CASEMENT



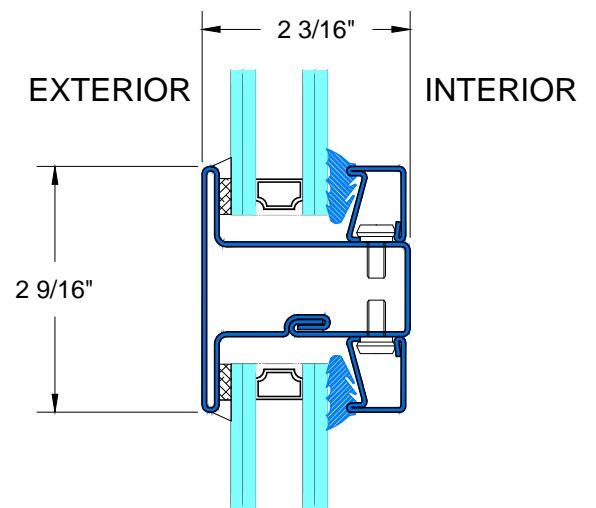
F TYPICAL HEAD



G TYPICAL SILL

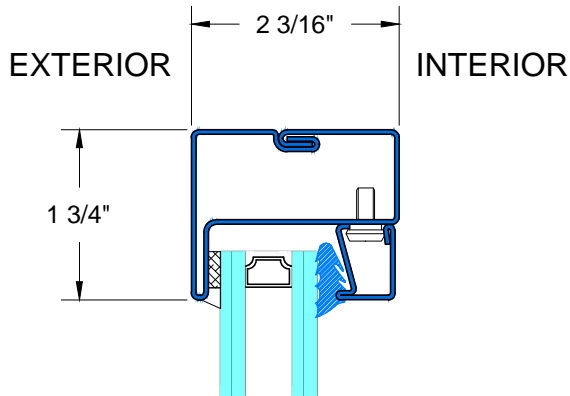


H TYPICAL VERTICAL MUNTIN

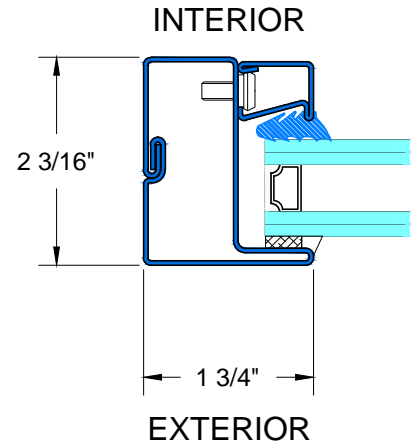


J TYPICAL HORIZONTAL MUNTIN

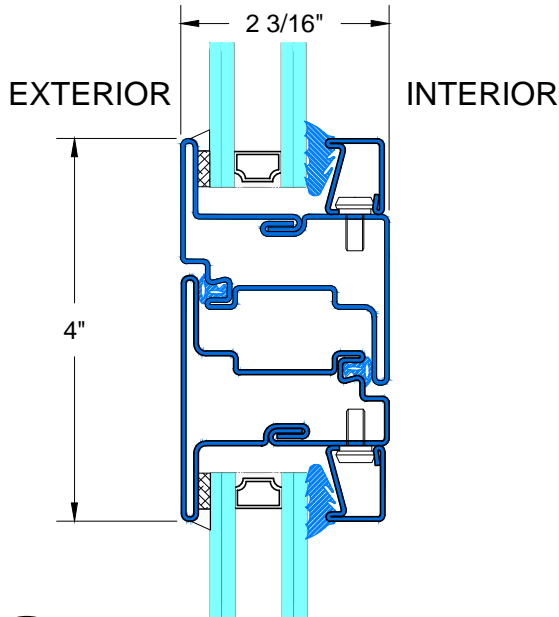
OUTSWING CASEMENT



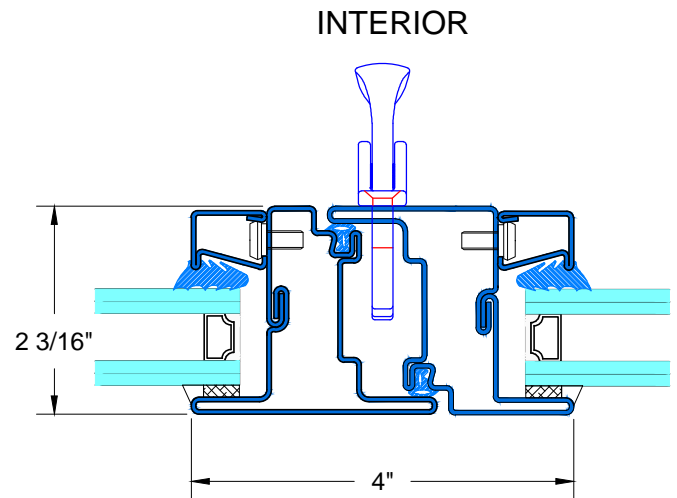
K&L TYPICAL FIXED HEAD & SILL



M&N TYPICAL FIXED JAMB



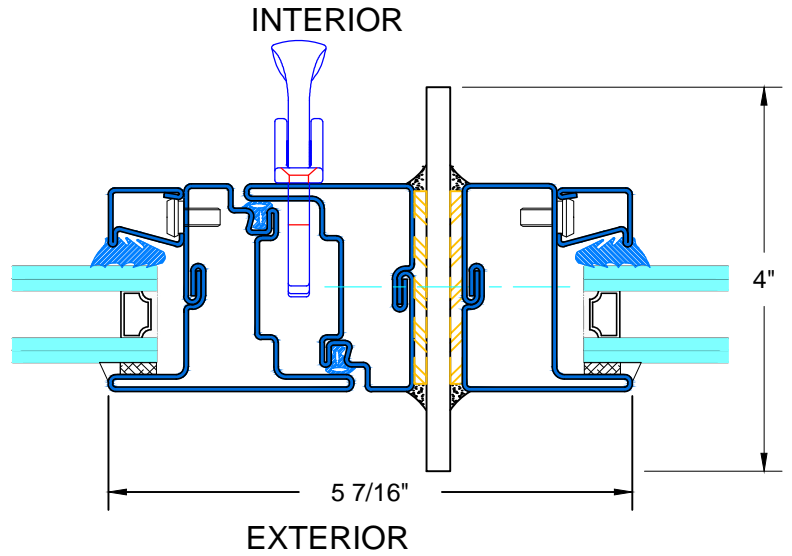
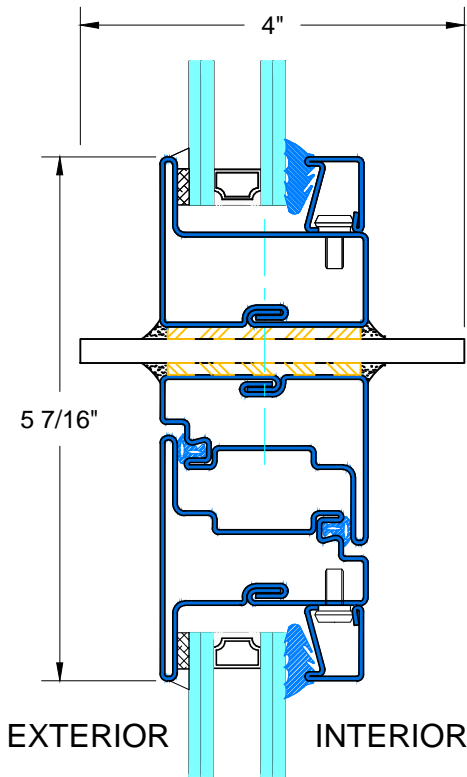
P TYPICAL HEAD W/ TRANSOM



R TYPICAL JAMB W/ SIDELITE



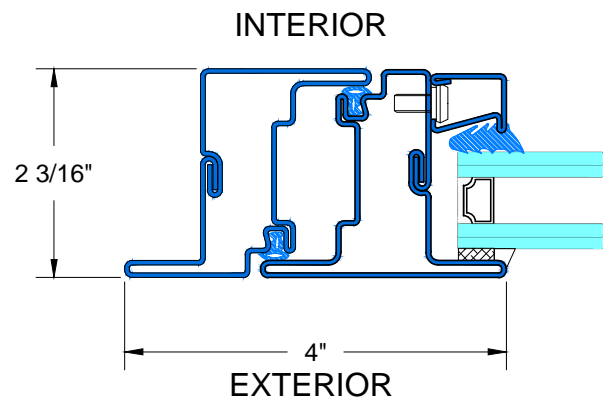
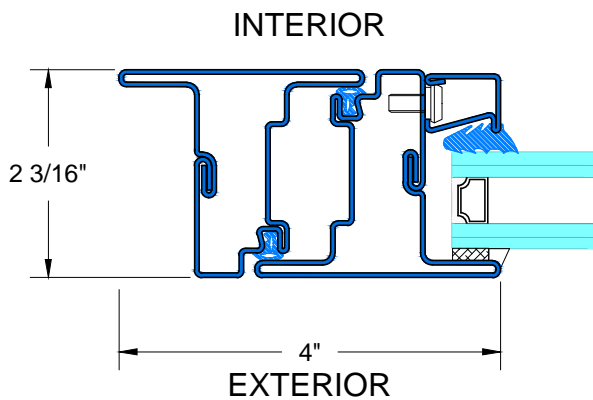
OUTSWING CASEMENT



S TYPICAL STACKING MULLION

T TYPICAL JOINING MULLION

OPTIONAL FLANGE FRAME



1 TYPICAL JAMB INTERIOR FLANGE

2 TYPICAL JAMB EXTERIOR FLANGE