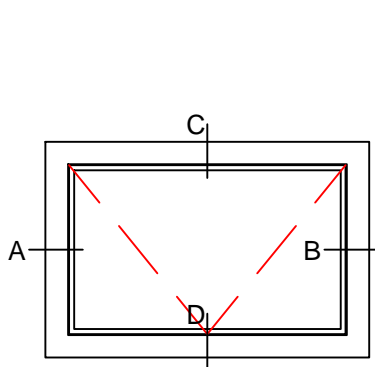
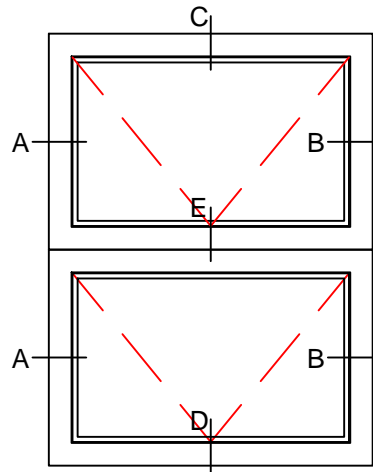


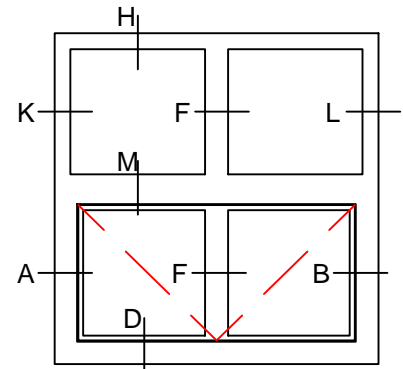
# PROJECT-IN WINDOW



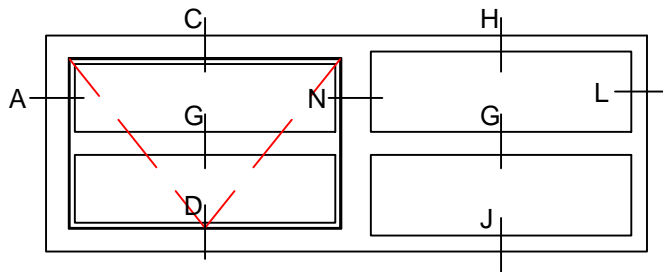
5500\_11\_PI



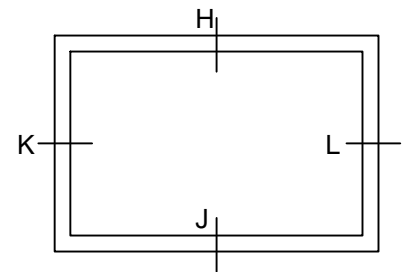
5500\_12\_PI\_PI



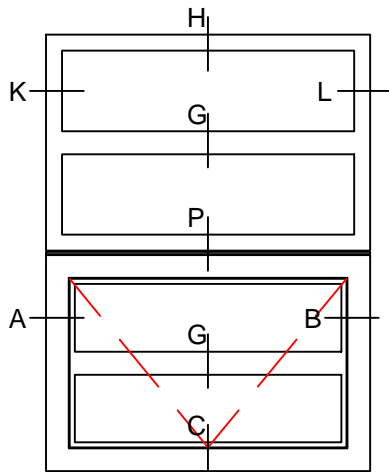
5500\_22\_PI\_FX



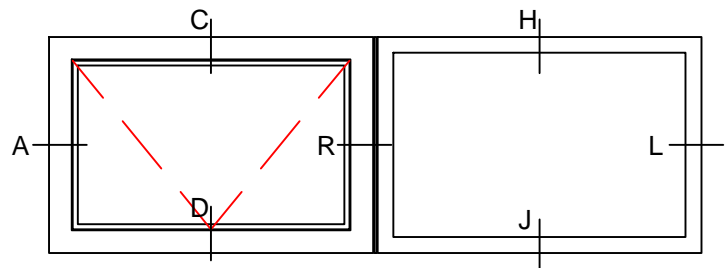
5500\_22\_PI\_FX



5500\_11\_FX



5500\_14\_PI\_FX

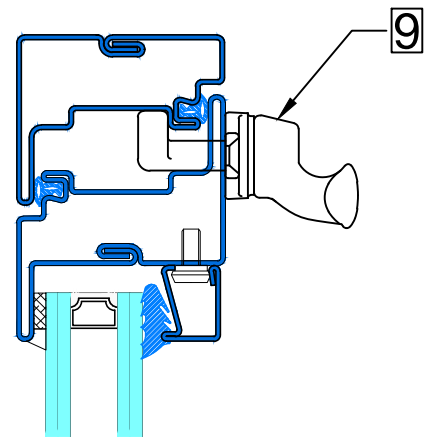
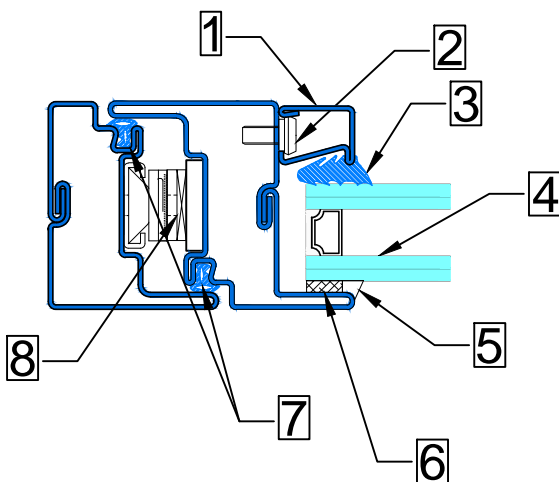


5500\_21\_PI\_FX

## PROJECT-IN WINDOW

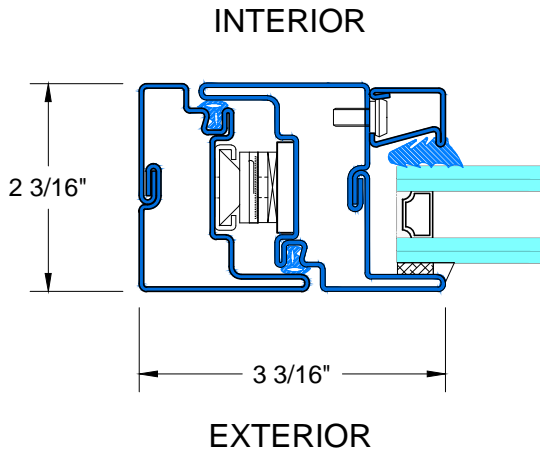
1. Snap in steel glazing bead
2. Snap fastener
3. Extruded EPDM wedge gasket (by OWM)
4. Glass and glazing (by others)
5. Silicone cap bead (by others)
6. Glazing tape (by others)
7. Weather stripping
8. Stainless steel 4-bar hinge
9. White bronze single point project in fastener with keeper

\*Note: White bronze hardware is OWM's standard (other finishes and options available)

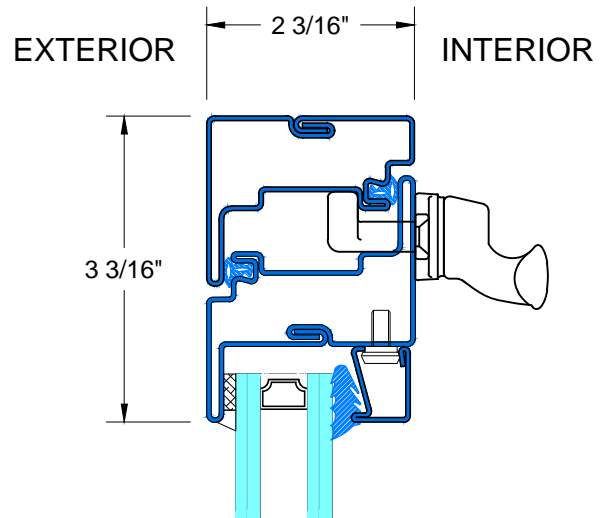




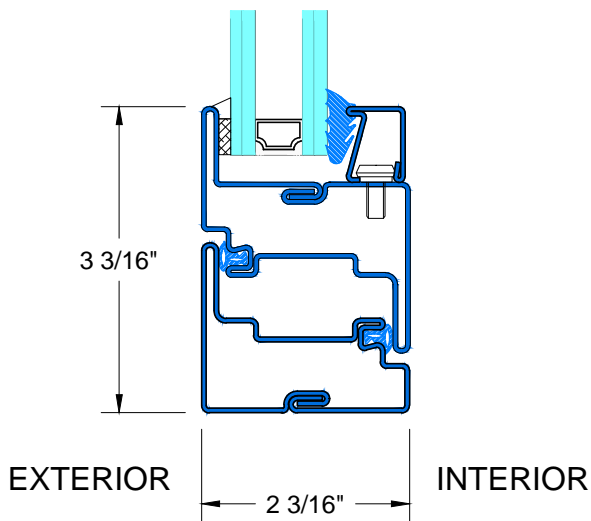
PROJECT-IN WINDOW



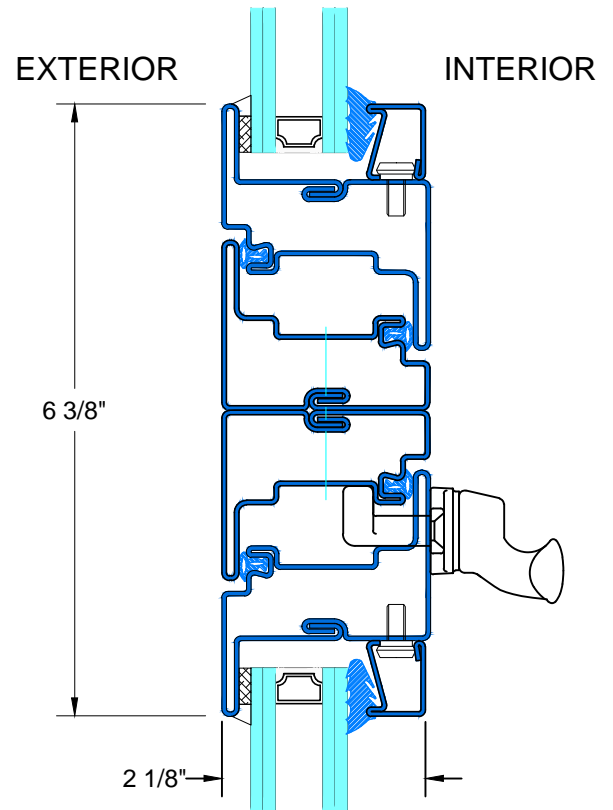
**A&B** TYPICAL HINGED JAMB



**C** TYPICAL HEAD



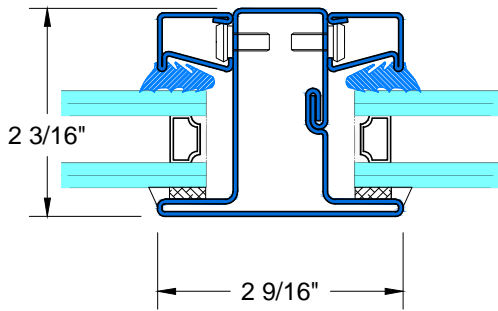
**D** TYPICAL SILL



**E** TYPICAL STACKING JOINT

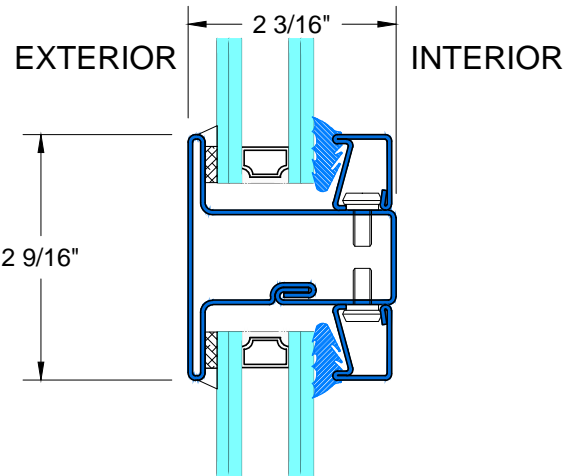
**PROJECT-IN WINDOW**

INTERIOR

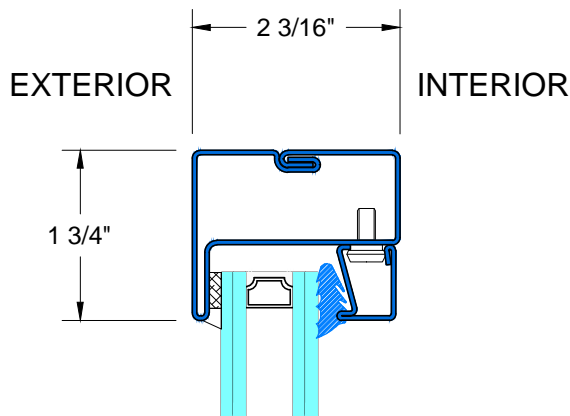


EXTERIOR

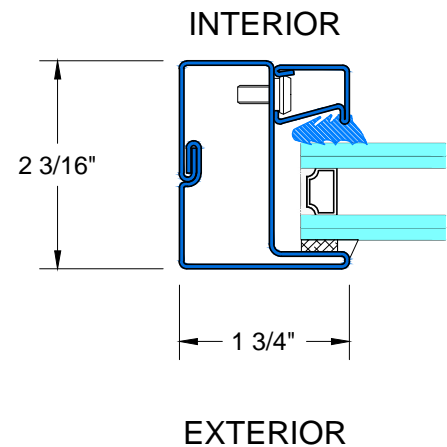
**F** TYPICAL VERTICAL MUNTIN



**G** TYPICAL HORIZONTAL MUNTIN



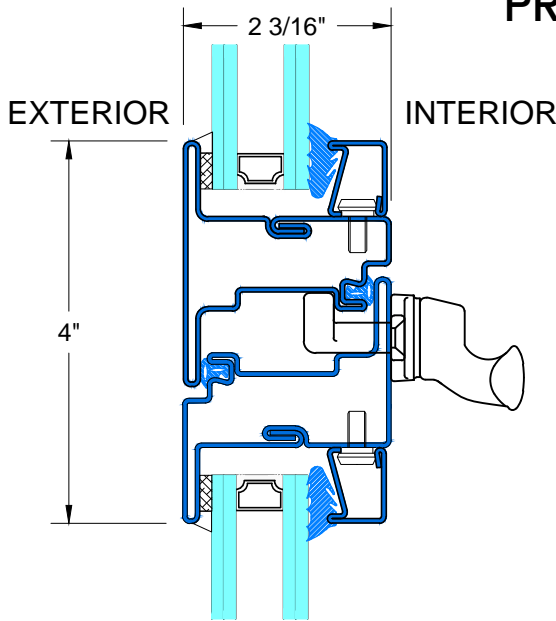
**H&J** TYPICAL FIXED HEAD & SILL



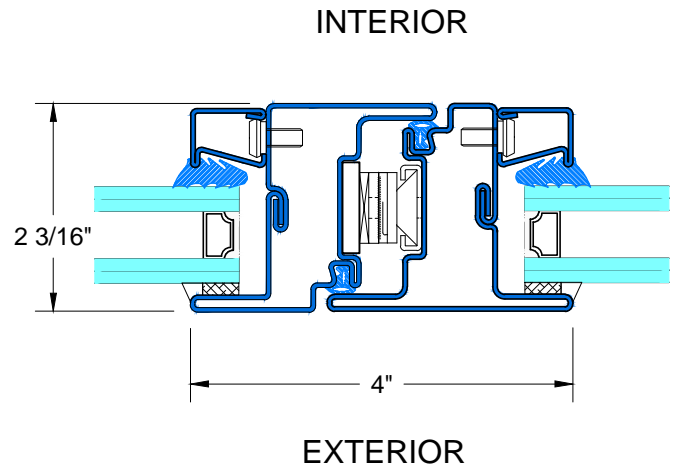
**K&L** TYPICAL FIXED JAMB



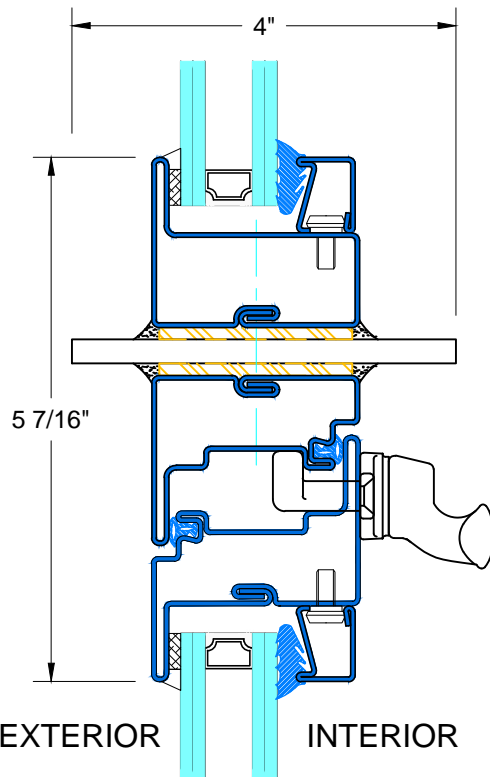
PROJECT-IN WINDOW



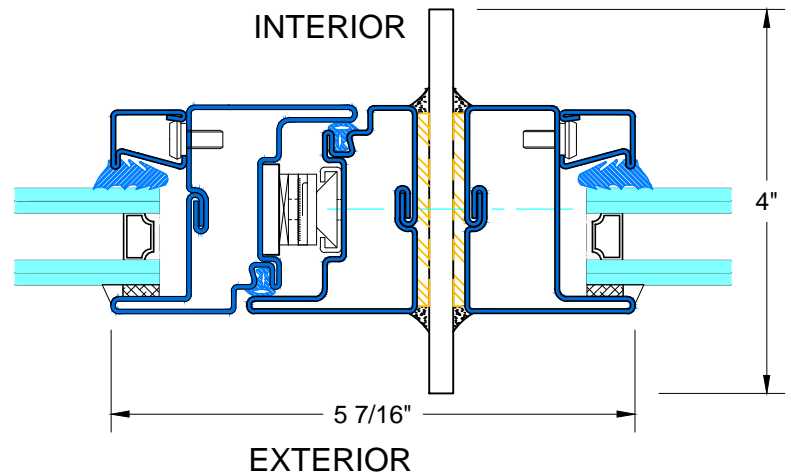
**M** TYPICAL HEAD W/ TRANSOM



**N** TYPICAL JAMB W/ SIDELITE



**P** TYPICAL STACKING MULLION

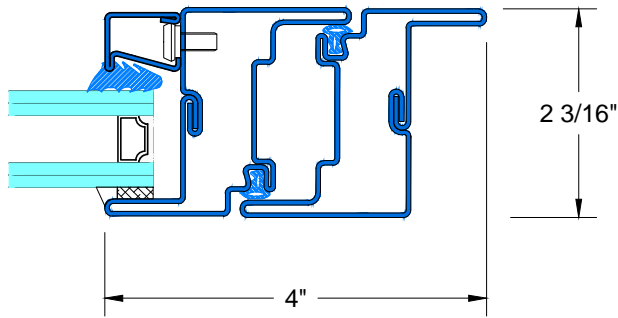


**R** TYPICAL JOINING MULLION

PROJECT-IN WINDOW

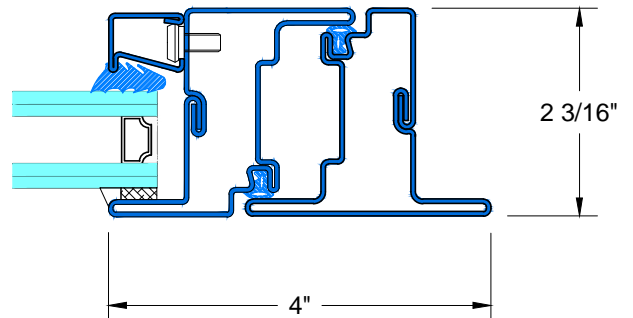
OPTIONAL FLANGE FRAME

INTERIOR



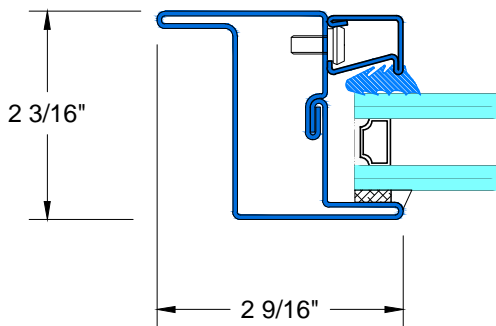
**1** TYPICAL JAMB INTERIOR FLANGE

INTERIOR



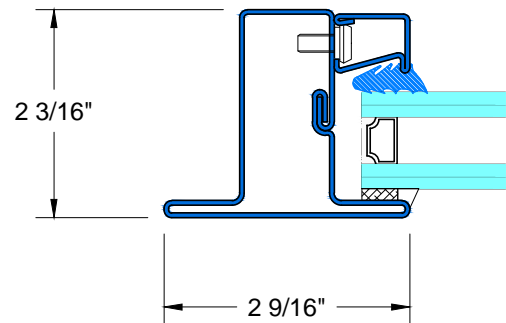
**2** TYPICAL JAMB EXTERIOR FLANGE

INTERIOR



**3** TYPICAL FIXED INTERIOR FLANGE

INTERIOR



**4** TYPICAL FIXED EXTERIOR FLANGE

EXTERIOR

EXTERIOR