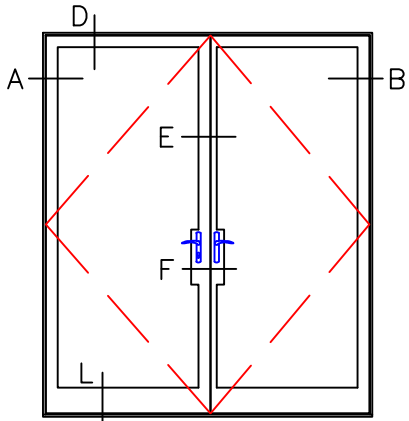
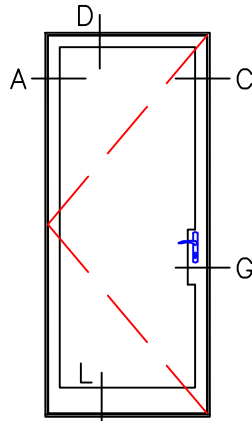


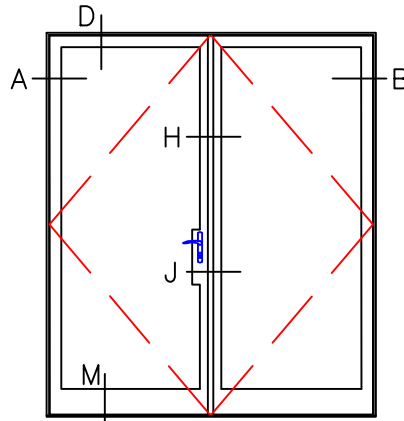
# OUTSWING DOOR



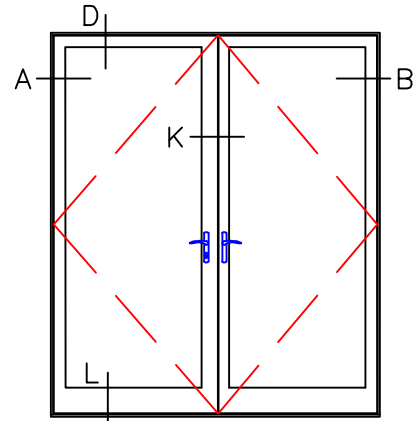
5500\_21\_OD



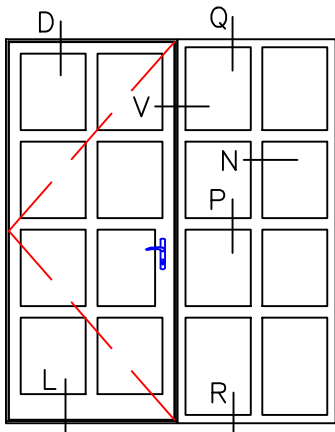
5500\_11\_OD



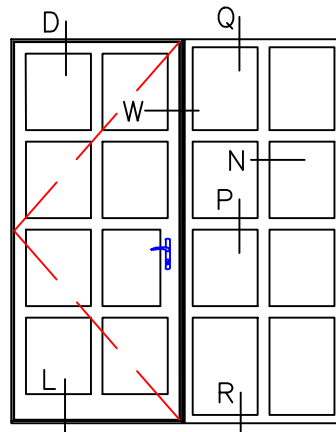
5500\_21\_OD



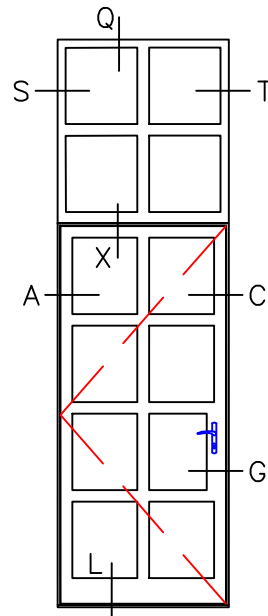
5500\_21\_OD



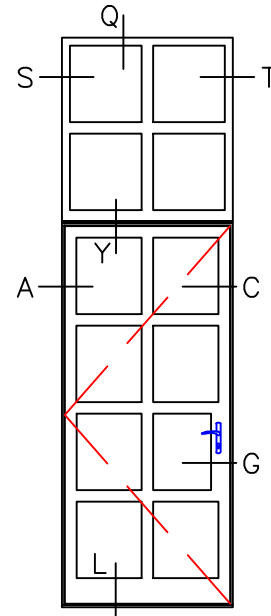
5500\_44\_OD



5500\_44\_OD



5500\_26\_OD

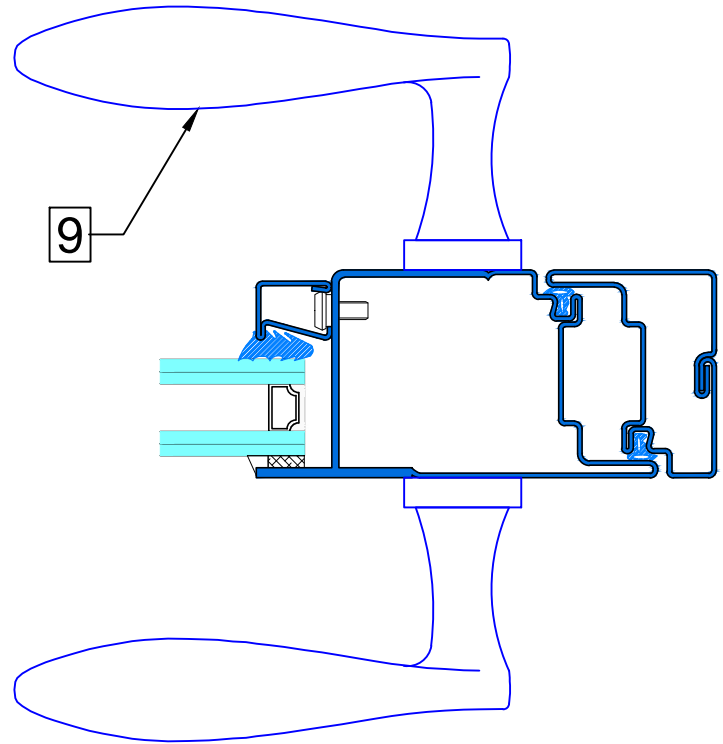
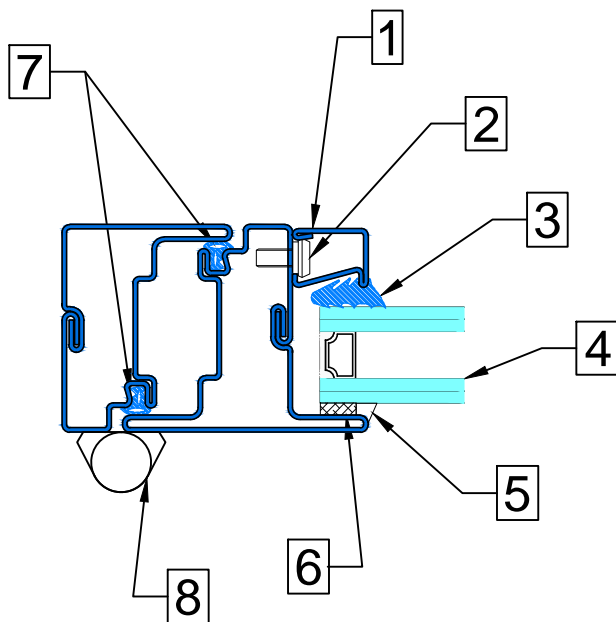


5500\_26\_OD

\*LEVER HANDLE ON  
PRIMARY VENT ONLY  
\* PUSH/PULL ARMS TO BE  
SELECTED BY OTHERS

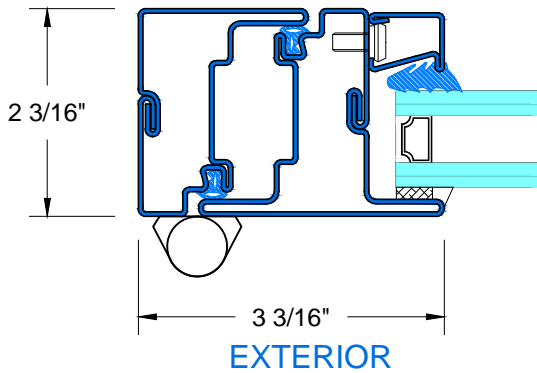
## OUTSWING DOOR

1. Snap in steel glazing bead (other options available)
2. Snap fastener
3. Extruded EPDM wedge gasket
4. Glass and glazing (by others)
5. Silicone cap bead (by others)
6. Glazing tape (by others)
7. Weather stripping
8. Weld on hinge
9. Rodos handle



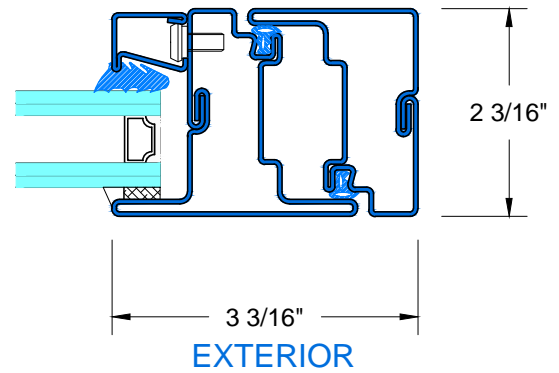
# OUTSWING DOOR

INTERIOR



EXTERIOR

INTERIOR

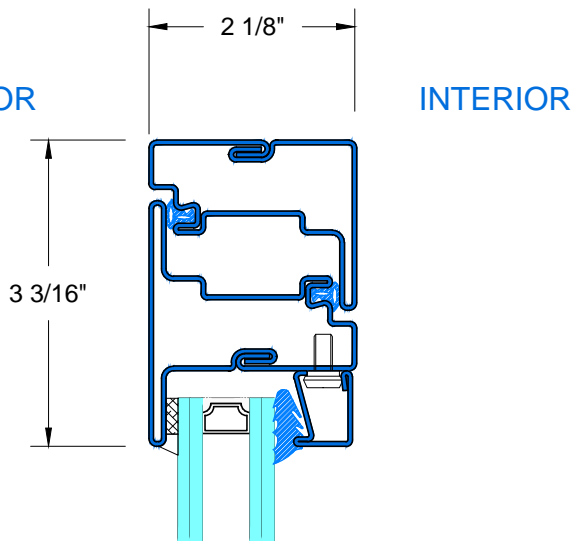


EXTERIOR

**A&B** TYPICAL HINGED JAMB

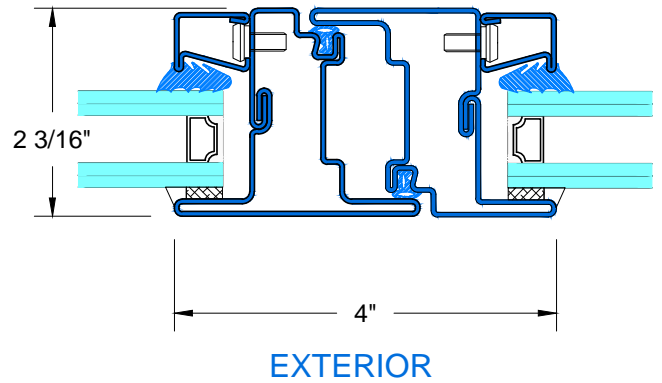
**C** TYPICAL LOCKING JAMB

EXTERIOR



INTERIOR

INTERIOR

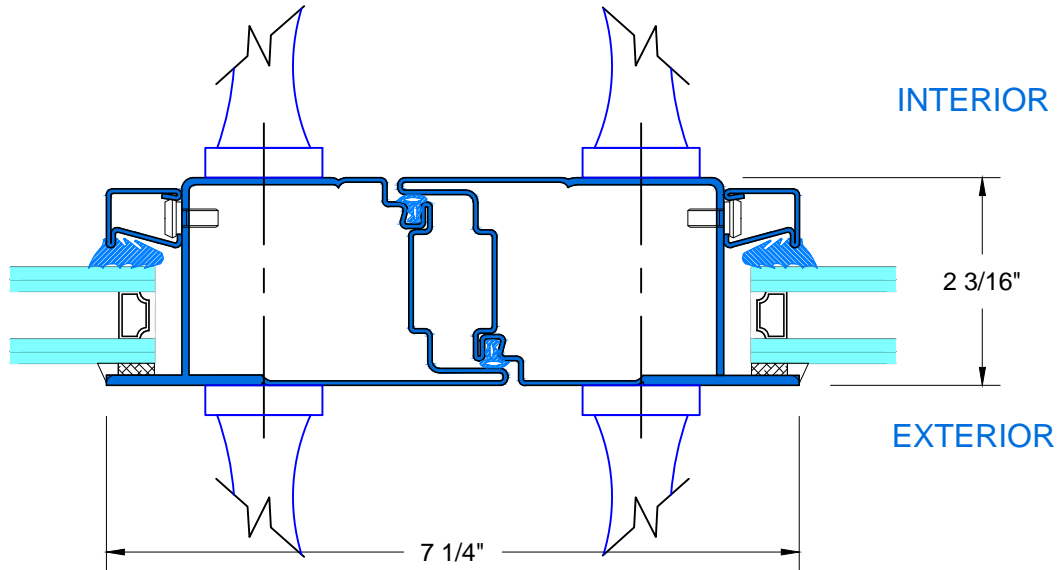


EXTERIOR

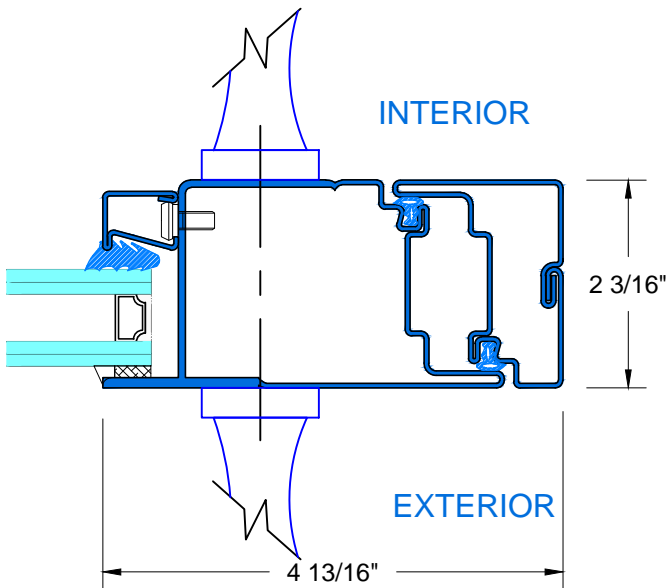
**D** TYPICAL HEAD

**E** TYPICAL FRENCH MEETING RAIL

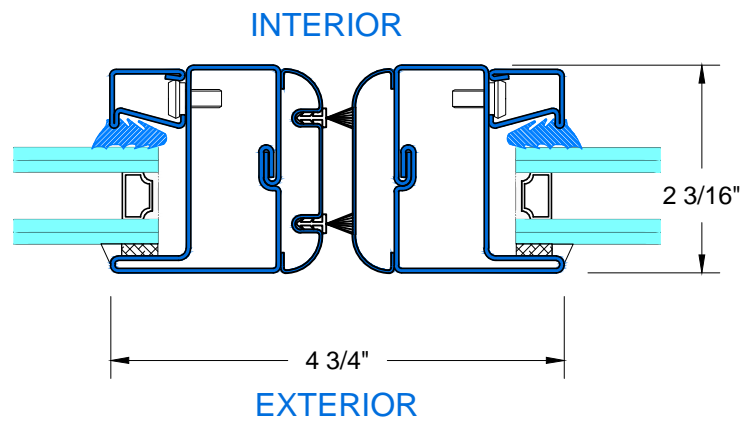
OUTSWING DOOR



**F** TYPICAL FRENCH LOCKBOX

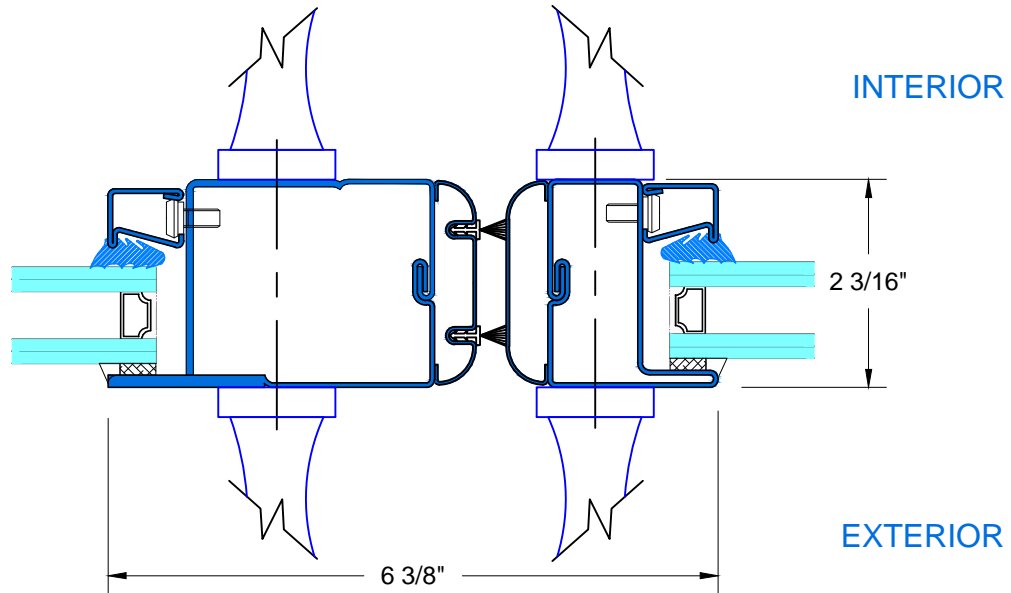


**G** TYPICAL SINGLE LOCKBOX

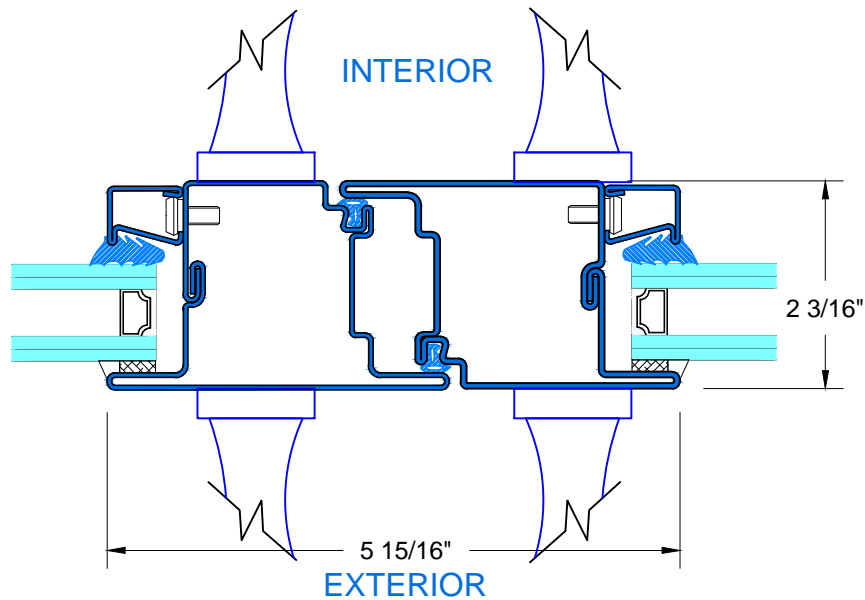


**H** TYPICAL DOUBLE MEETING RAIL

OUTSWING DOOR

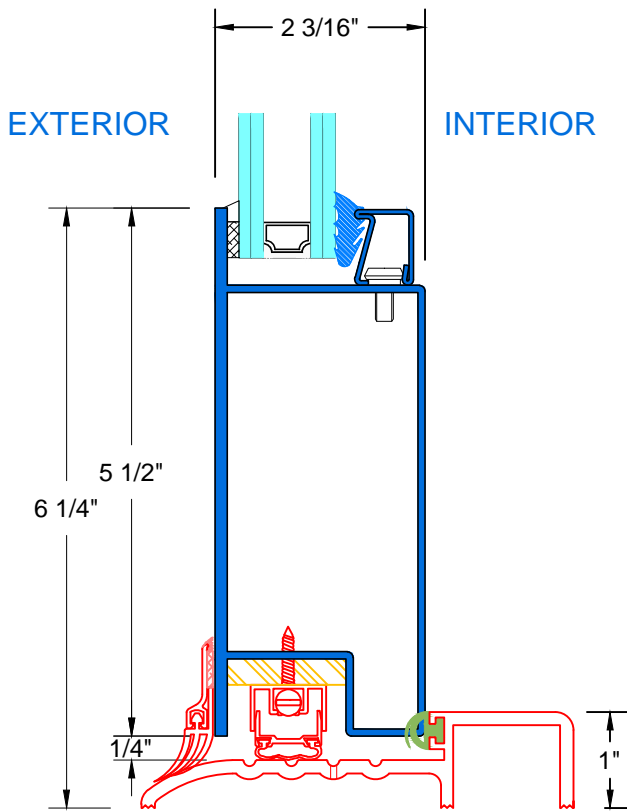


**J** TYPICAL FRENCH LOCKBOX

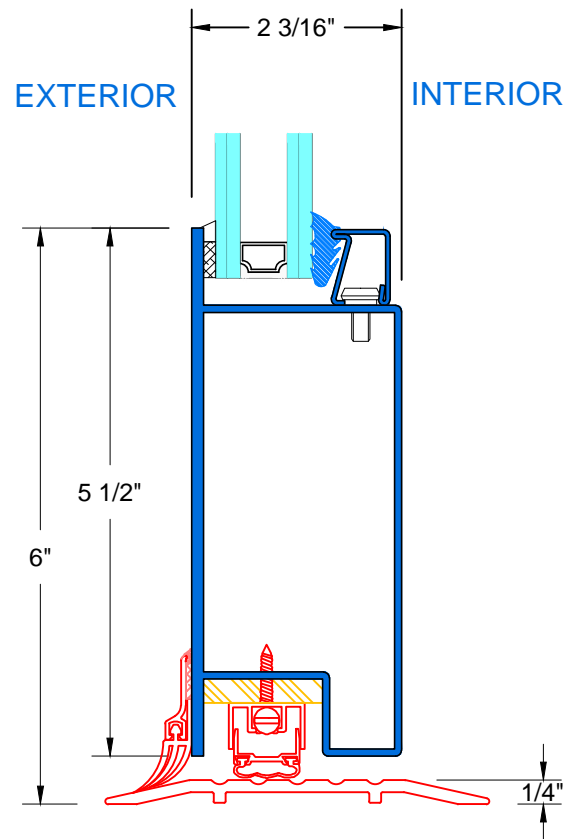


**K** TYPICAL FRENCH MEETING RAIL

# OUTSWING DOOR



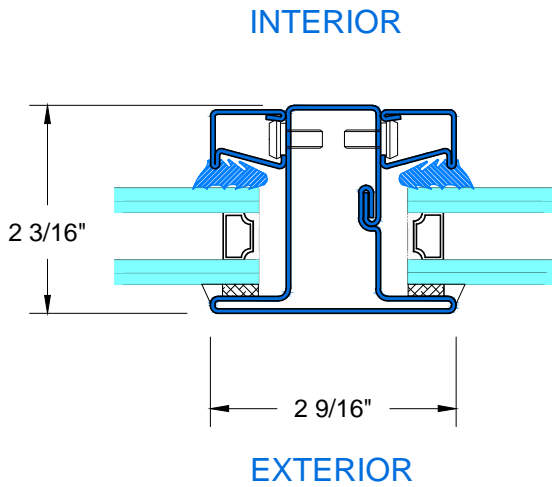
**L** TYPICAL KICKPLATE



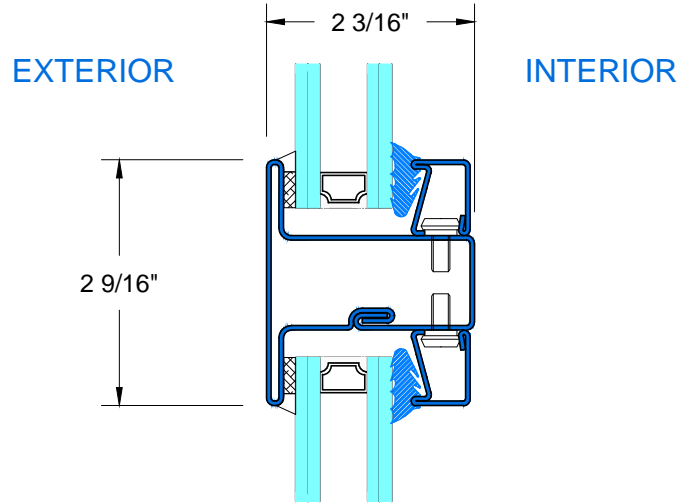
**M** TYPICAL COMMERCIAL KICKPLATE AND SADDLE



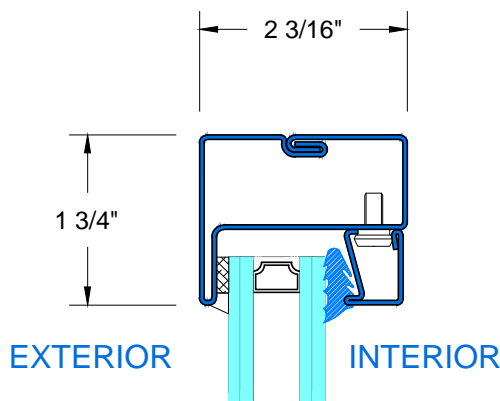
OUTSWING DOOR



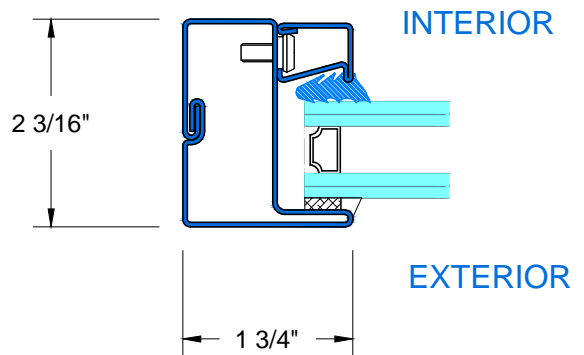
**N** TYPICAL VERTICAL MUNTIN



**P** TYPICAL HORIZONTAL MUNTIN

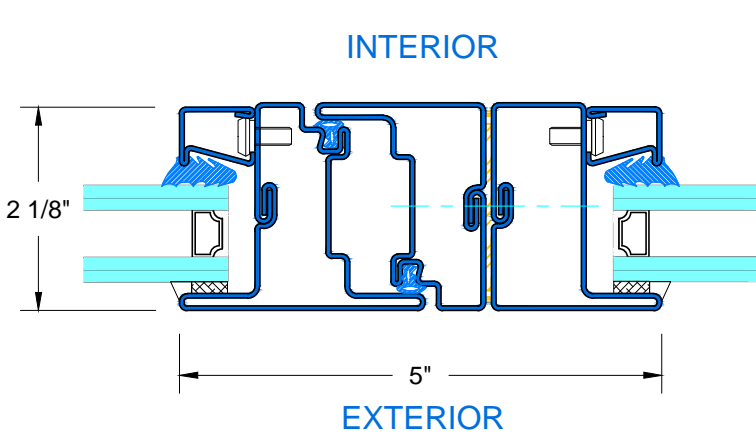


**Q&R** TYPICAL FIXED HEAD & SILL

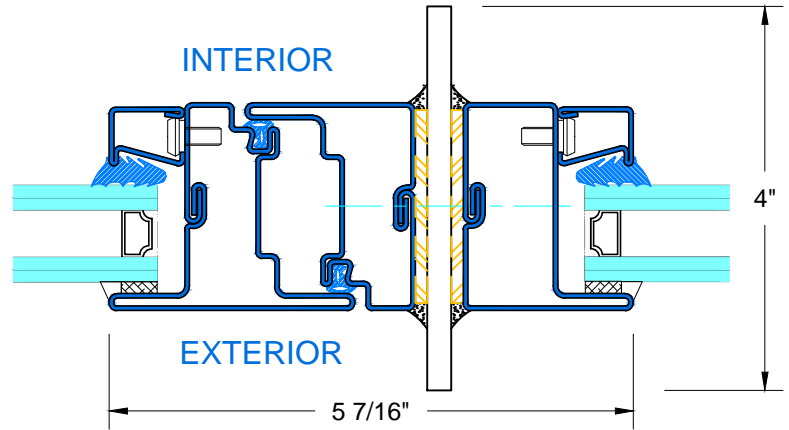


**S&T** TYPICAL FIXED JAMB

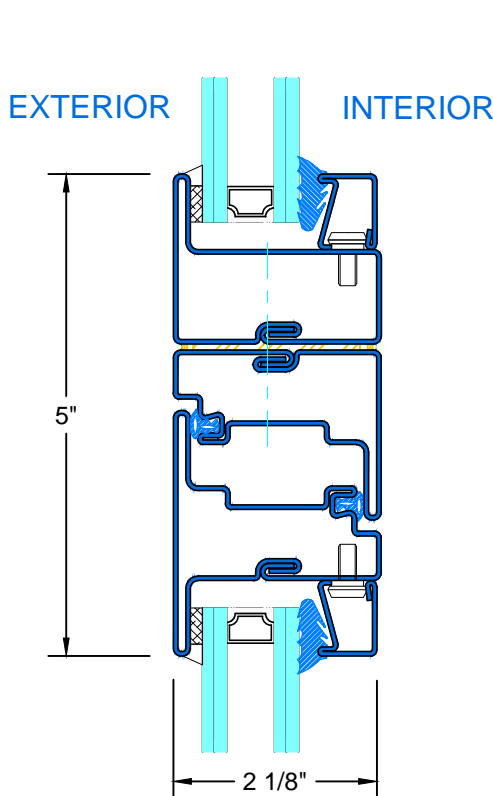
OUTSWING DOOR



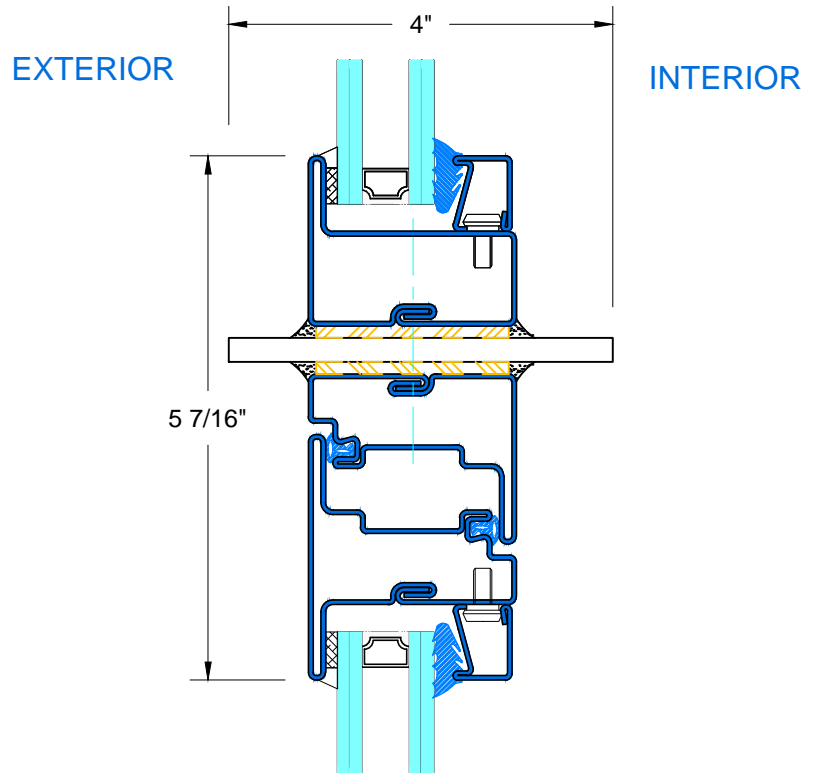
**V** TYPICAL JOINING SIDELITE



**W** TYPICAL JOINING MULLION



**X** TYPICAL STACKING TRANSOM



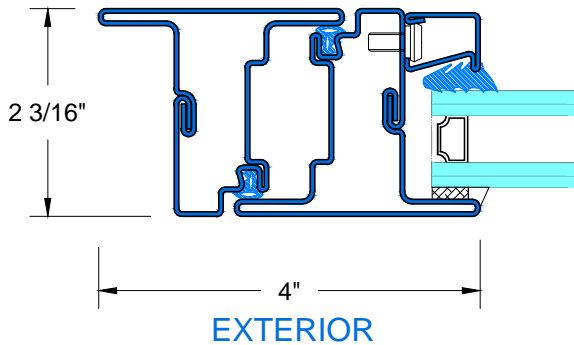
**Y** TYPICAL STACKING MULLION



OUTSWING DOOR

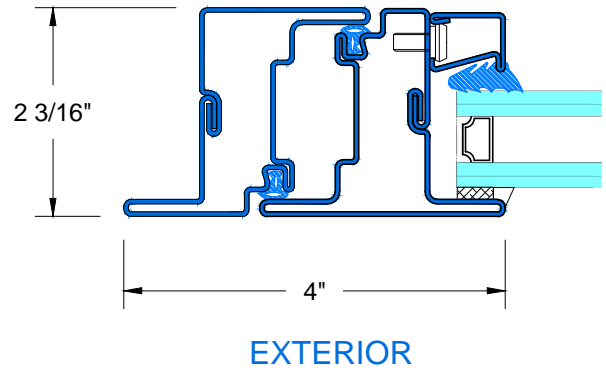
OPTIONAL FLANGE FRAME

INTERIOR



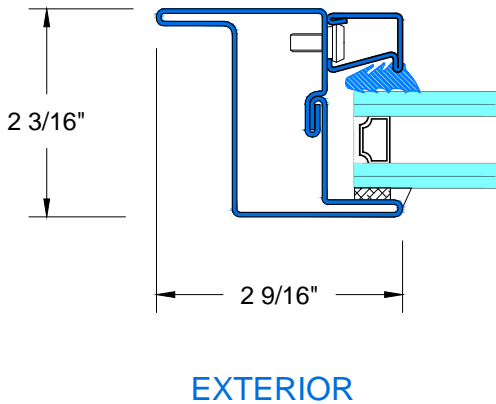
**1** TYPICAL JAMB  
INTERIOR FLANGE

INTERIOR



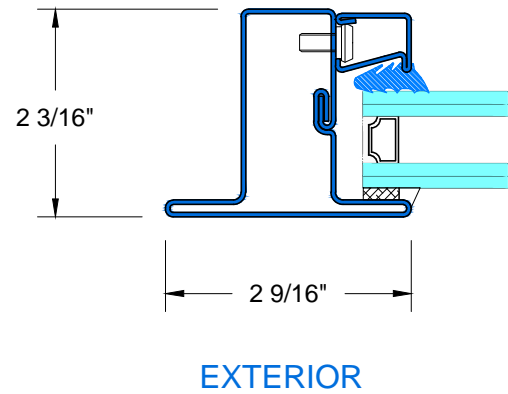
**2** TYPICAL JAMB  
EXTERIOR FLANGE

INTERIOR



**3** TYPICAL FIXED  
INTERIOR FLANGE

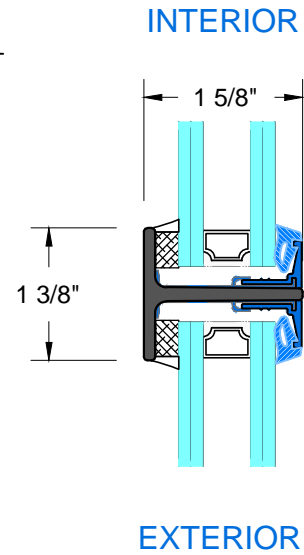
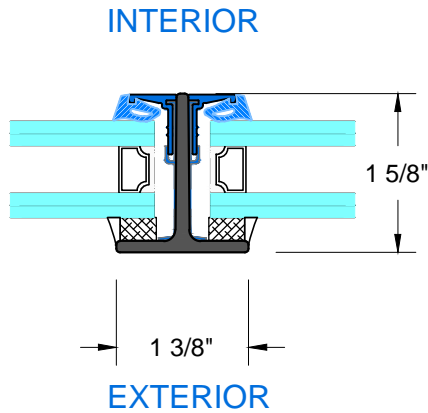
INTERIOR



**4** TYPICAL FIXED  
EXTERIOR FLANGE

OUTSWING DOOR

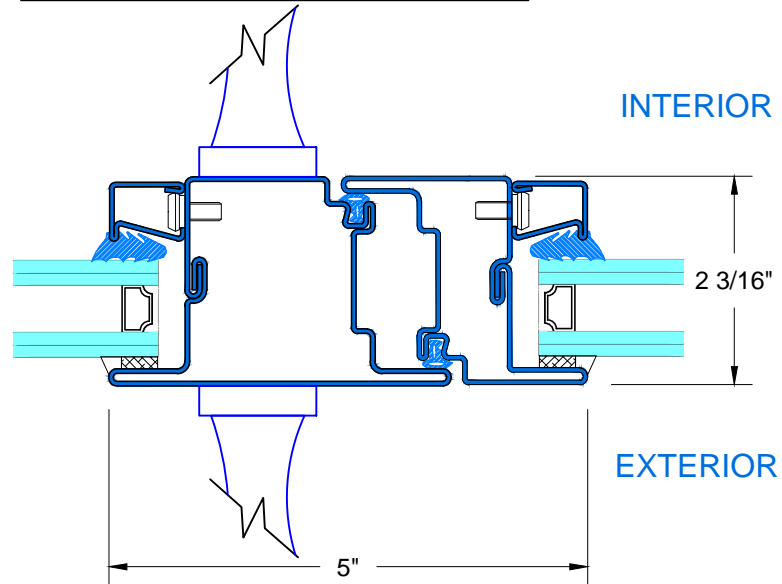
OPTIONAL MUNTIN



**N** TYPICAL VERTICAL MUNTIN

**P** TYPICAL HORIZONTAL MUNTIN

OPTIONAL MEETING RAIL



**K** OPTIONAL FRENCH MEETING RAIL