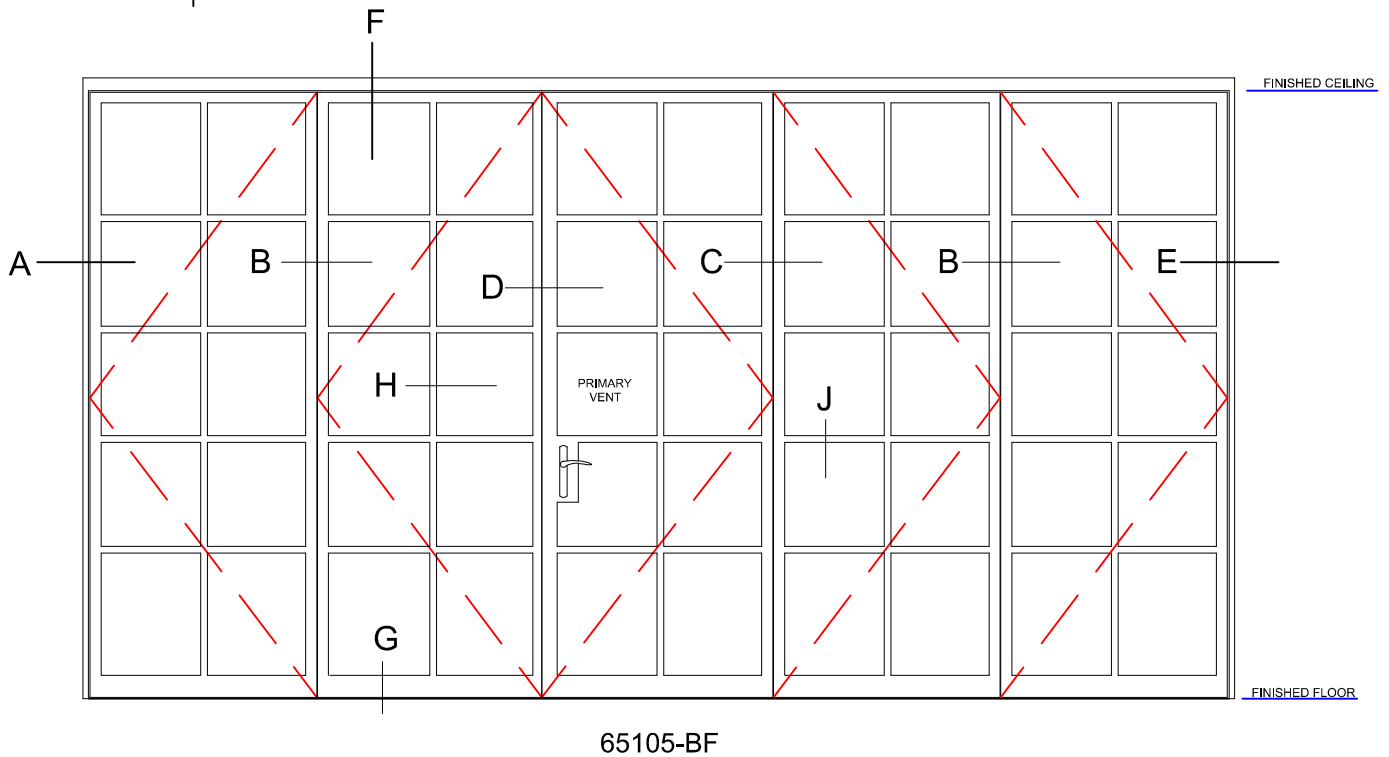
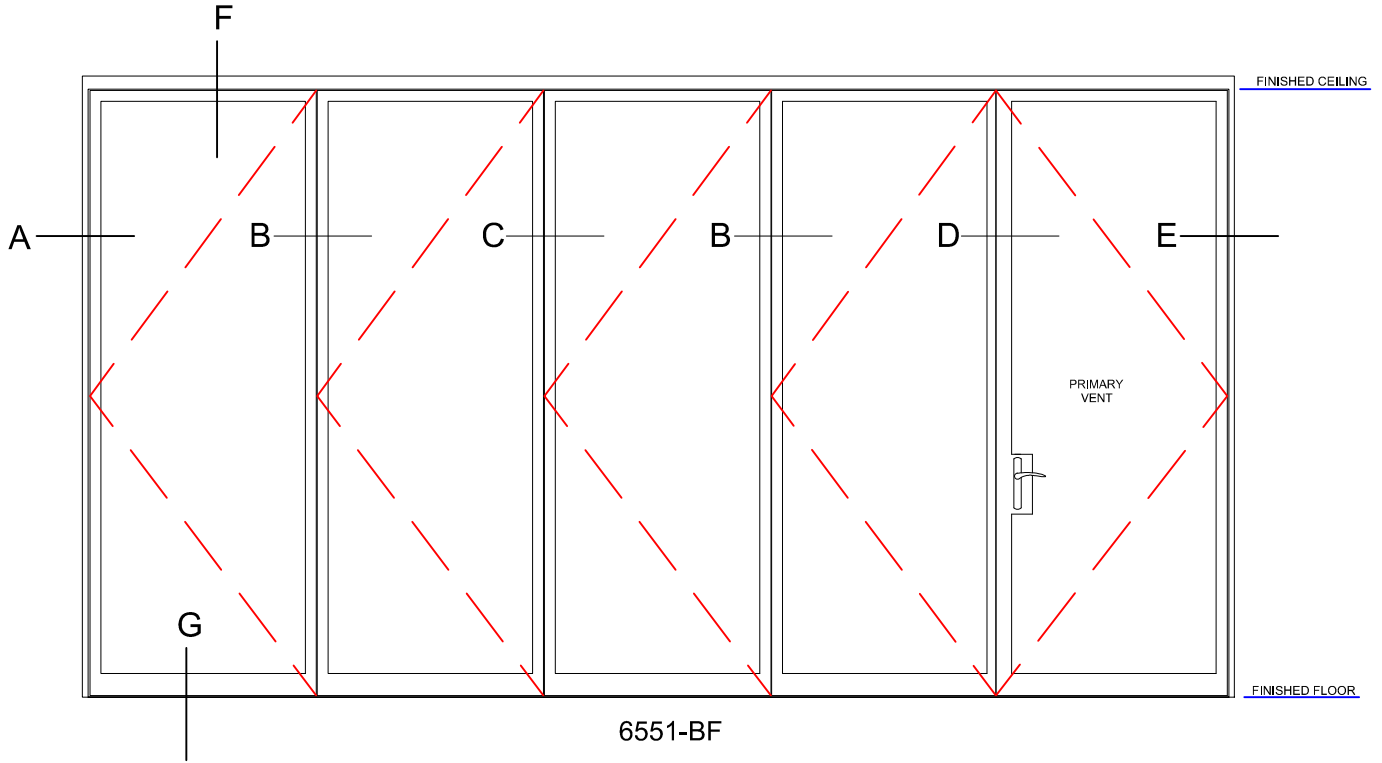


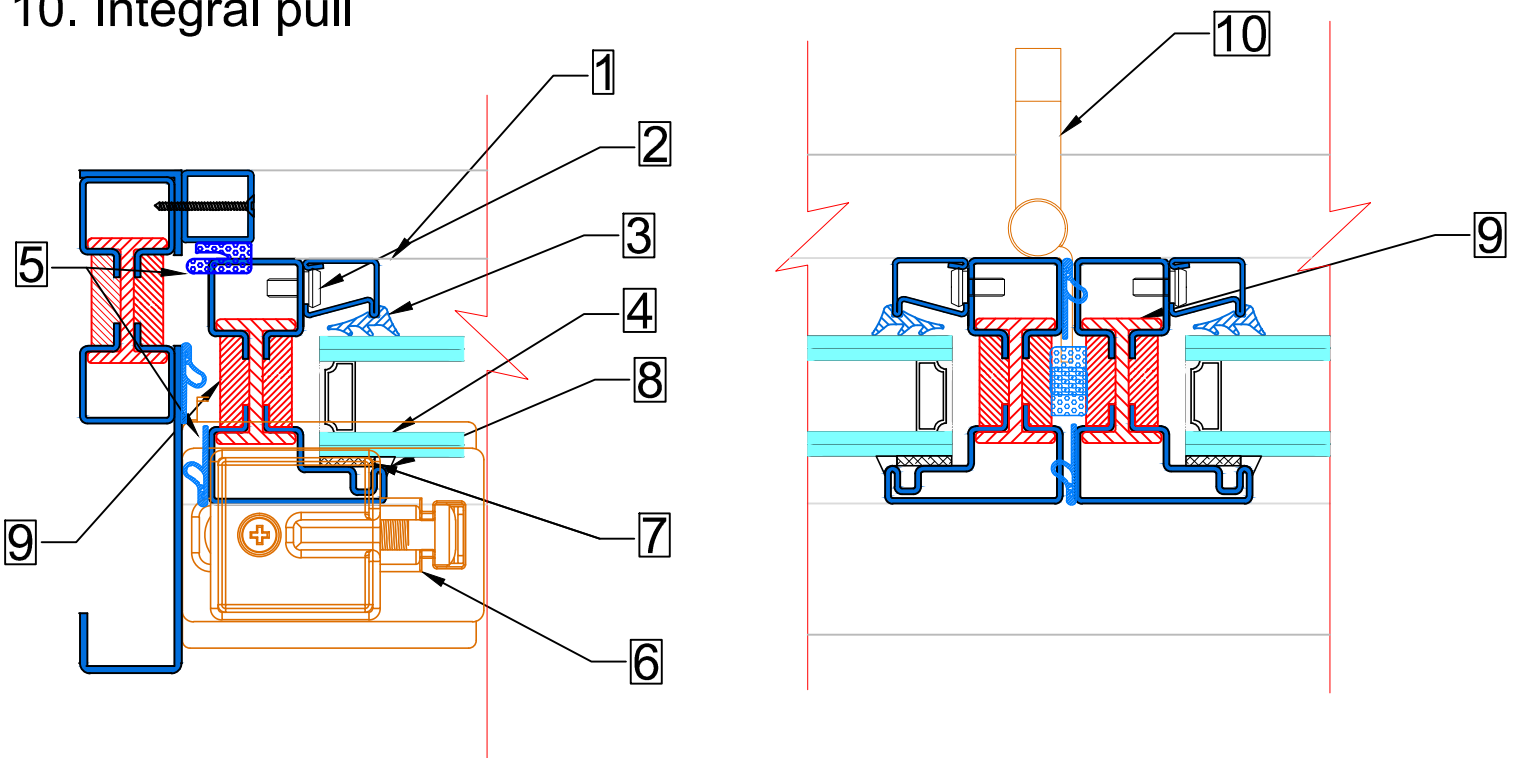
BI-FOLD DOOR



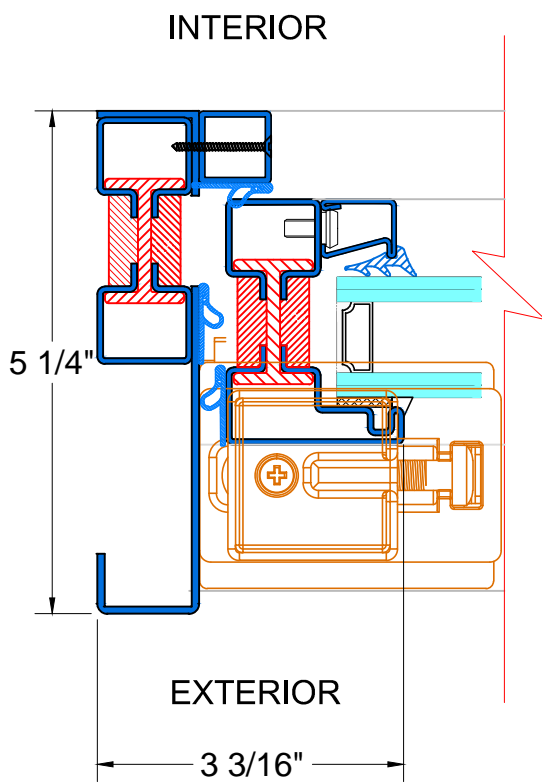
BI-FOLD DOOR

KEY (TYPICAL)

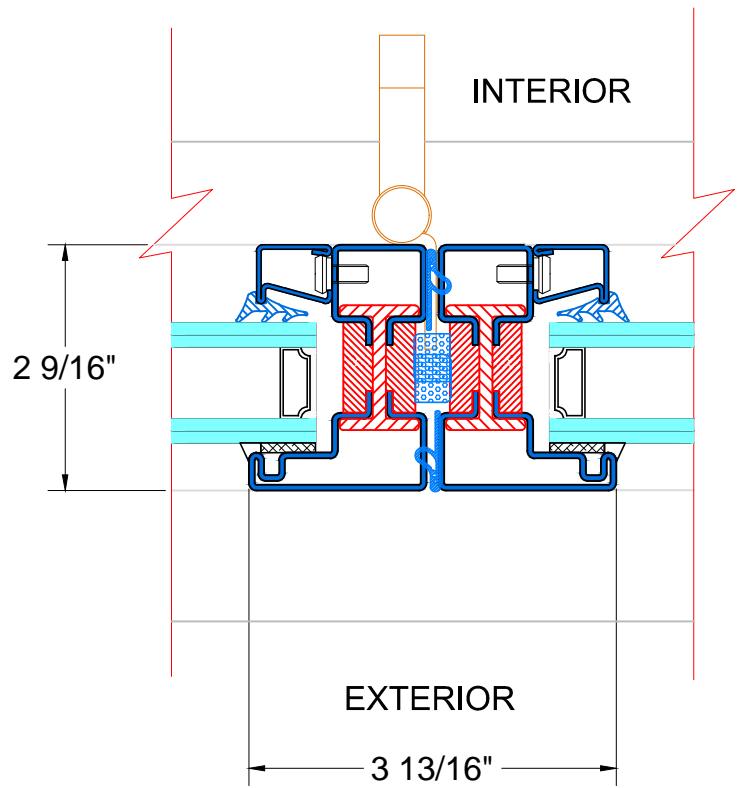
1. Snap in steel glazing bead
2. Snap fastener
3. Extruded EPDM wedge gasket
4. Glass and glazing (by others)
5. Weather stripping
6. Bi-fold door hardware
7. Glazing tape (by others)
8. Silicone cap bead (by others)
9. Thermal break
10. Integral pull



BI-FOLD DOOR

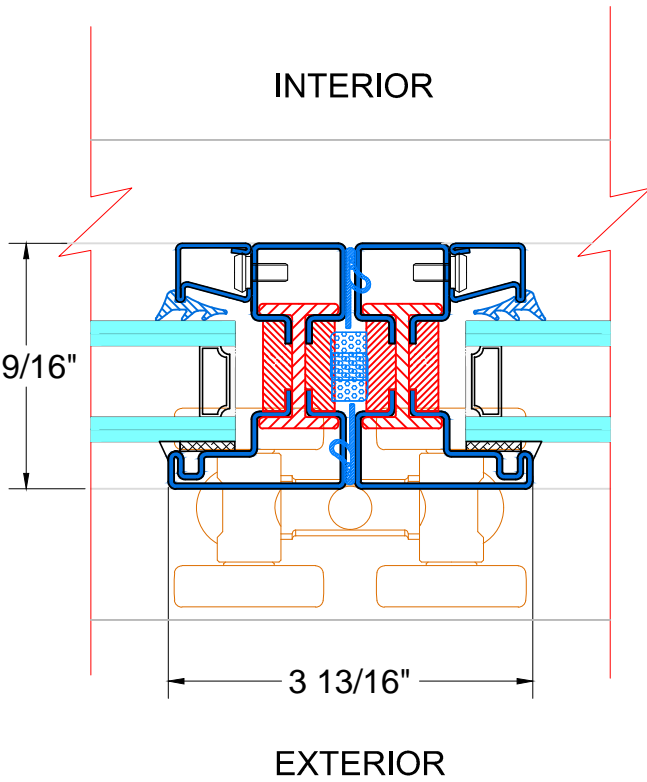


A TYPICAL JAMB

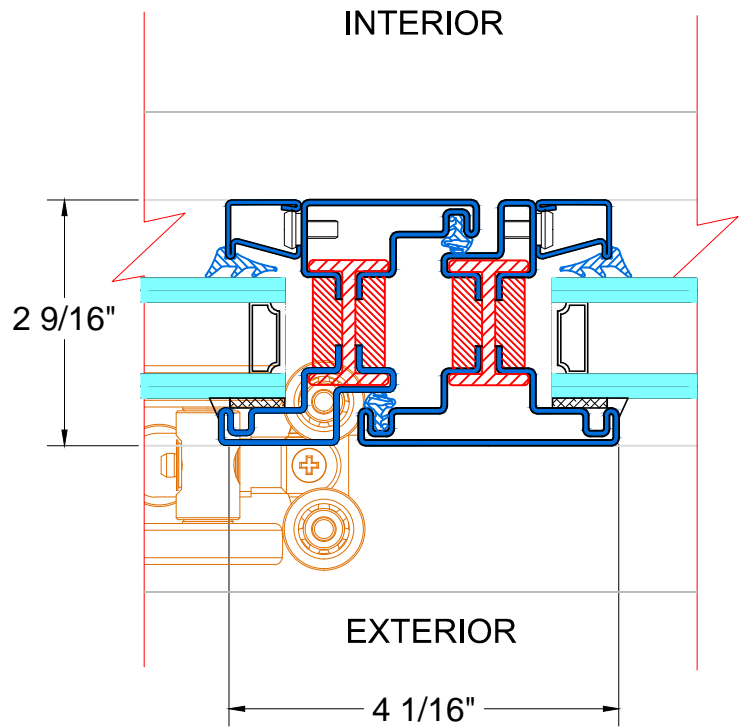


B TYPICAL MEETING RAIL WITH PULL HANDLE

BI-FOLD DOOR

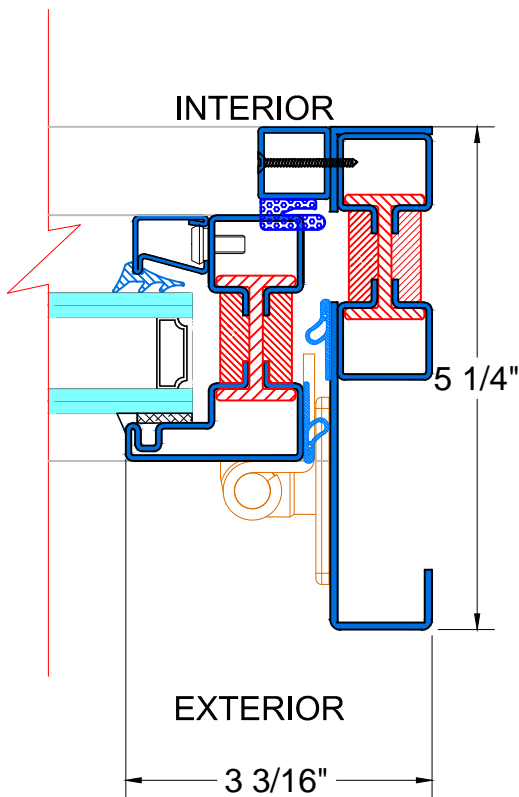


C TYPICAL MEETING RAIL

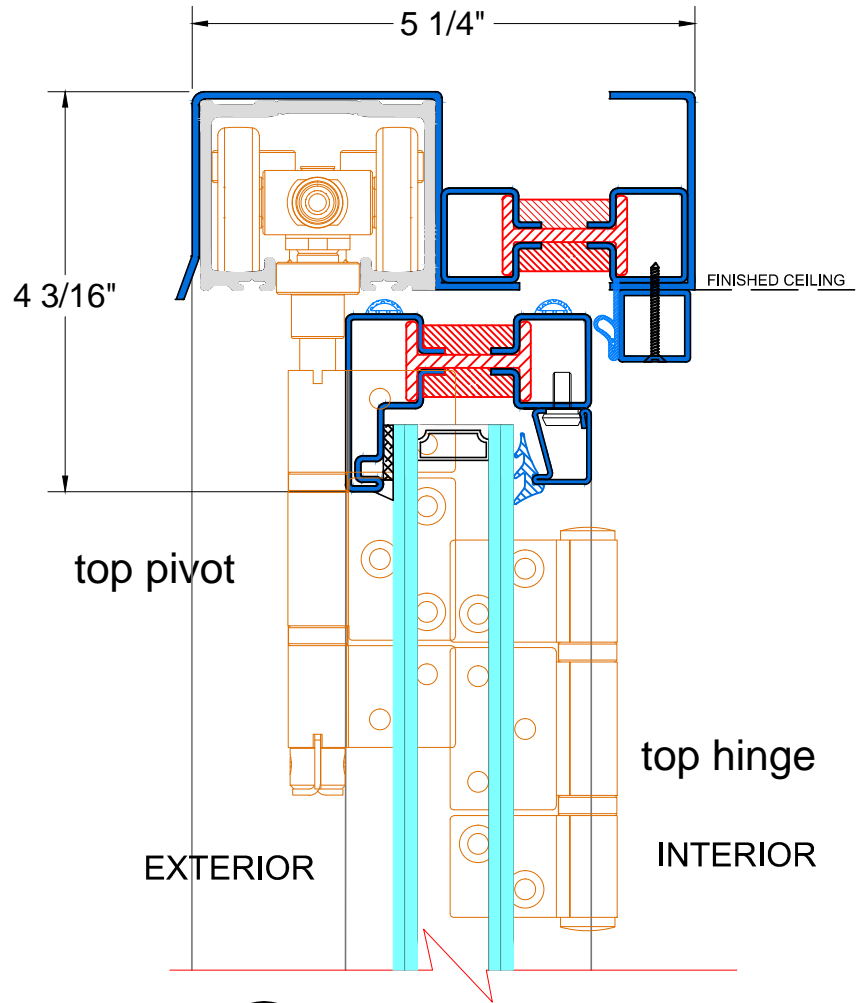


D TYPICAL FRENCH MEETING RAIL

BI-FOLD DOOR

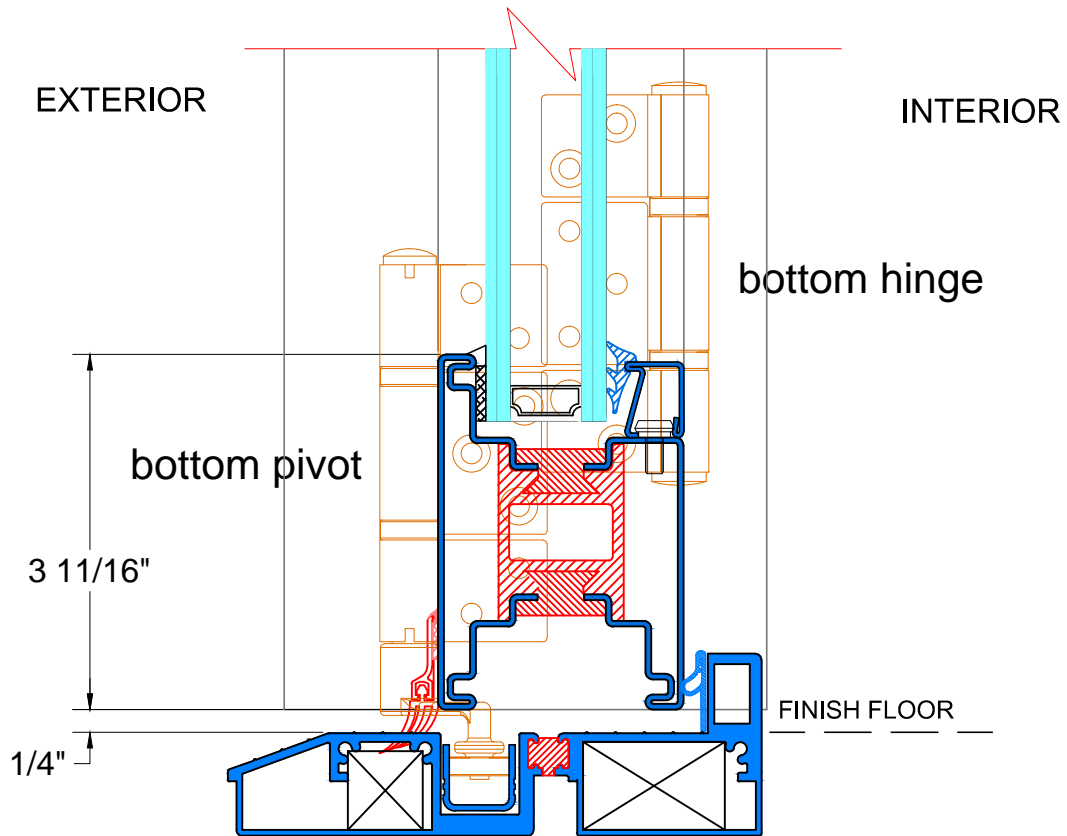


E TYPICAL JAMB FOR SWING PANEL



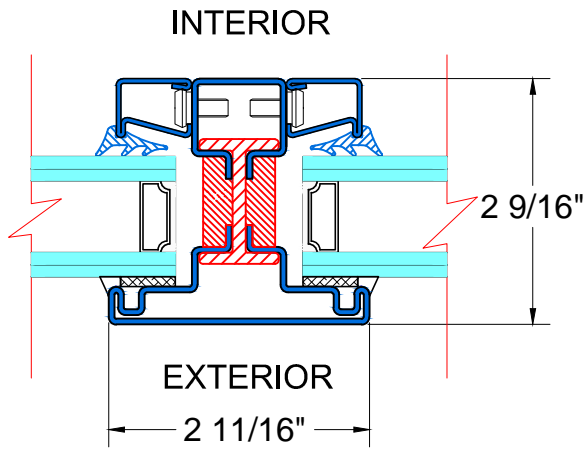
F TYPICAL HEADER @ BI-FOLD

BI-FOLD DOOR

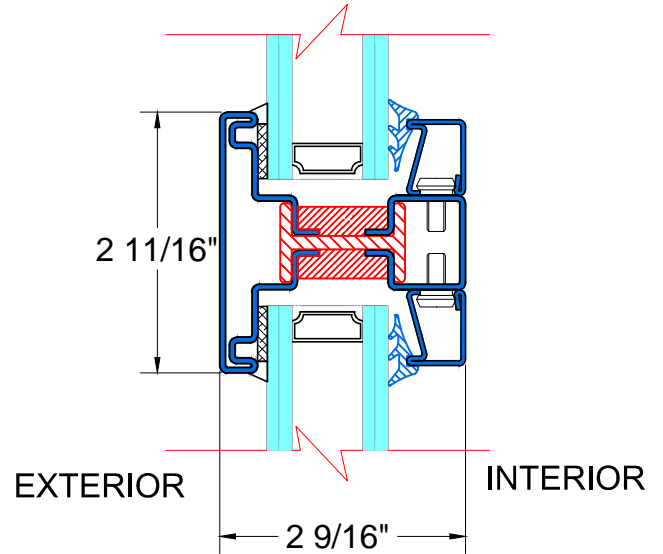


G TYPICAL BI-FOLD FLOOR CHANNEL

BI-FOLD DOOR



H TYPICAL VERTICAL MUNTIN



J TYPICAL HORIZONTAL MUNTIN