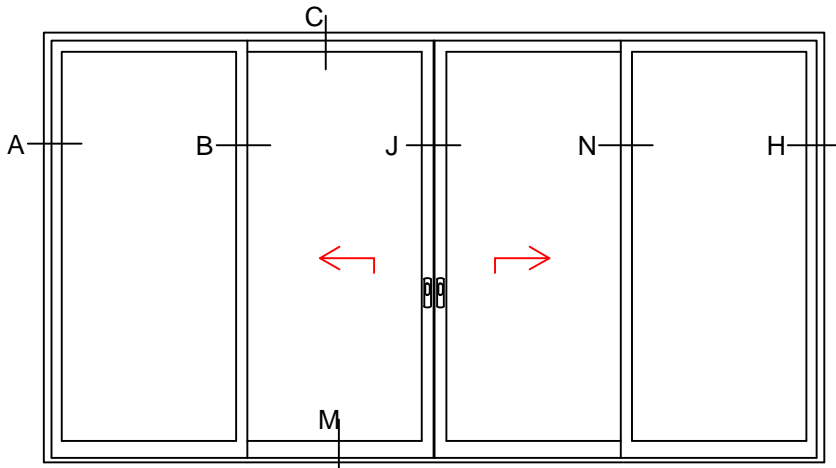
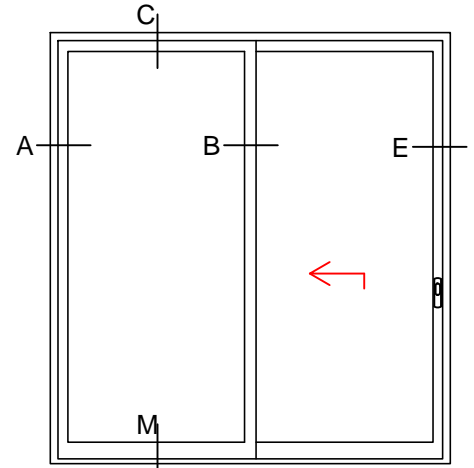


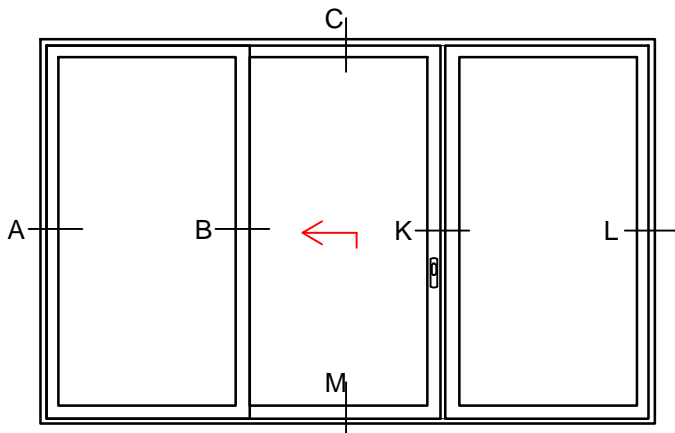
LIFT & SLIDE DOOR



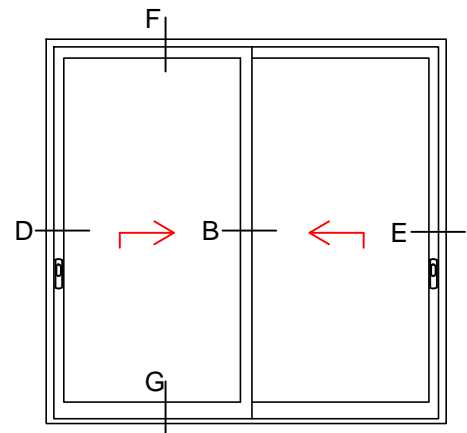
6541-FX-LS-FX



6521-FX-LS



6531-FX-LS-FX

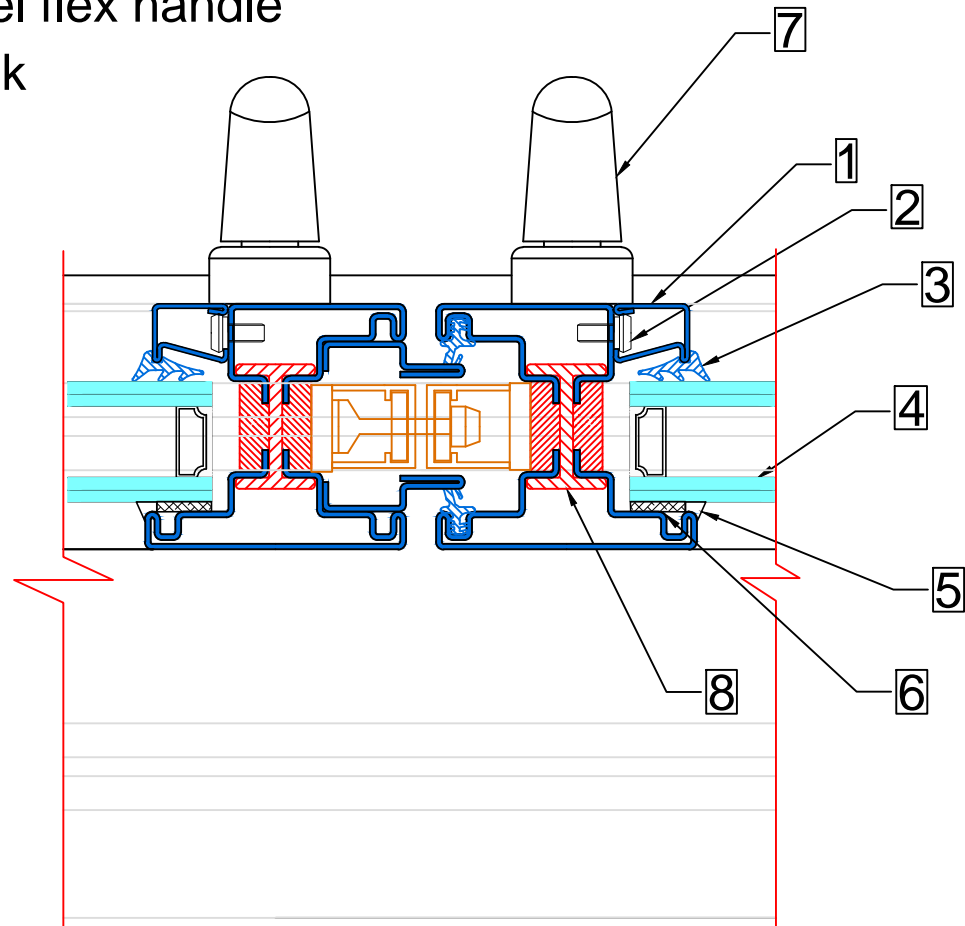


6521-LS

LIFT & SLIDE DOOR

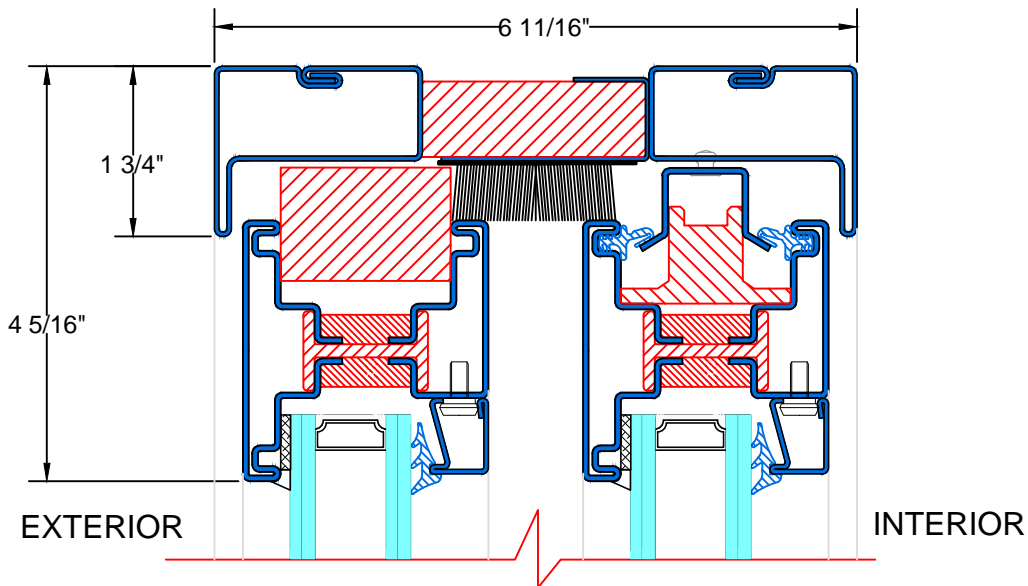
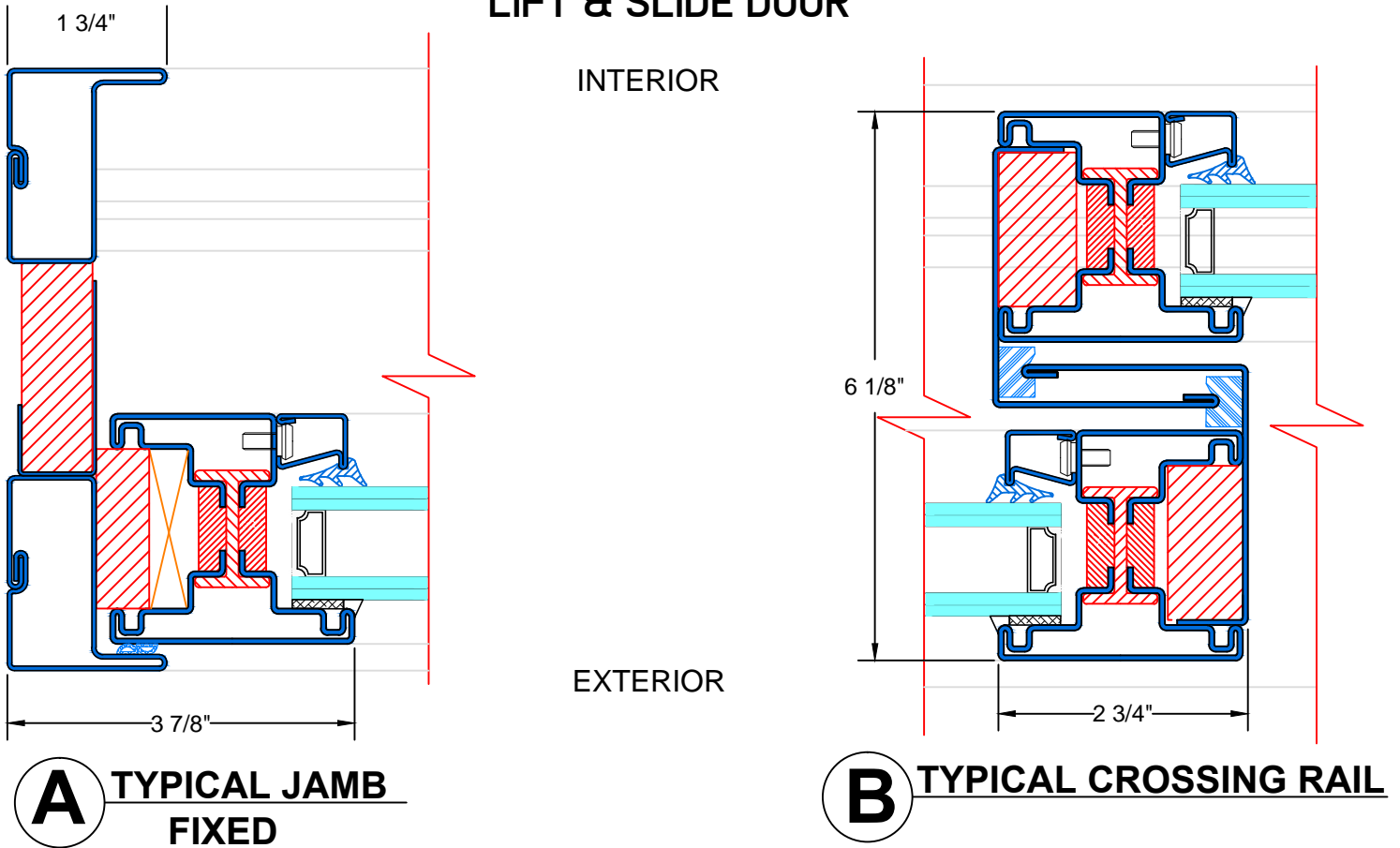
KEY (TYPICAL)

1. Snap in steel glazing bead
2. Snap fastener
3. Extruded EPDM wedge gasket
4. Glass and glazing (by others)
5. Silicone cap bead (by others)
6. Glazing tape (by others)
7. Stainless steel flex handle
8. Thermal break

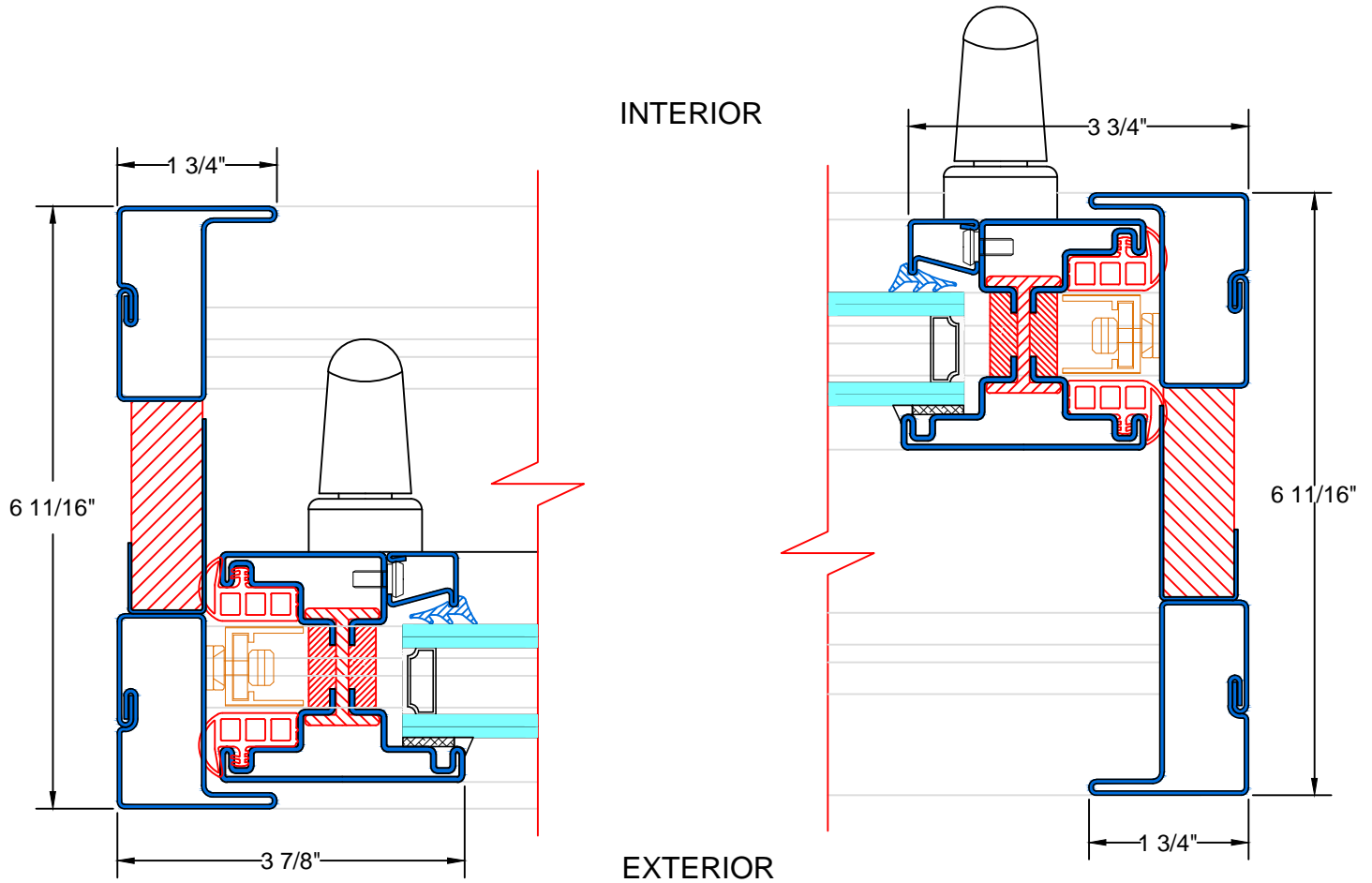




LIFT & SLIDE DOOR



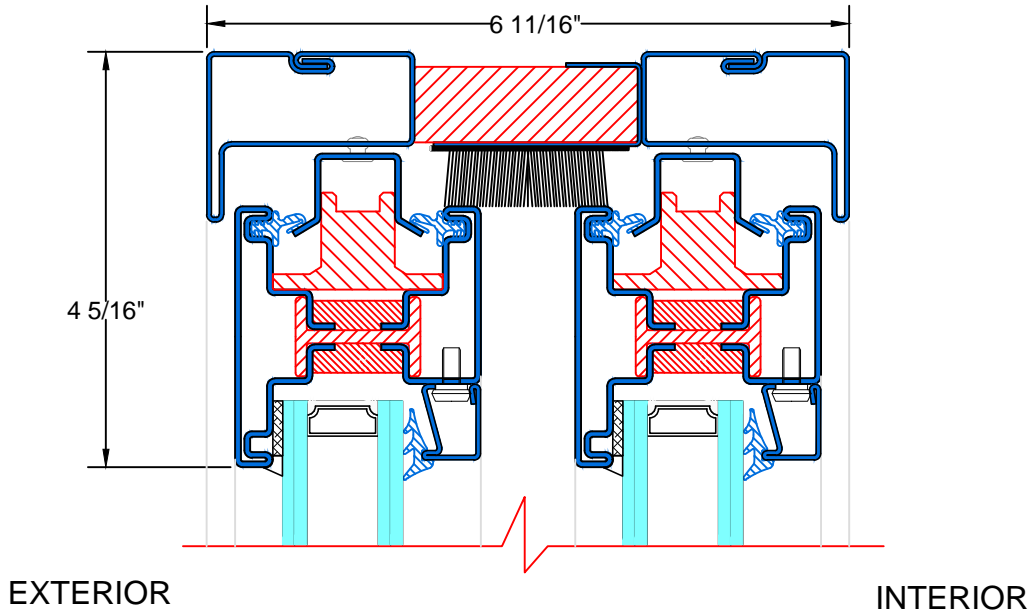
LIFT & SLIDE DOOR



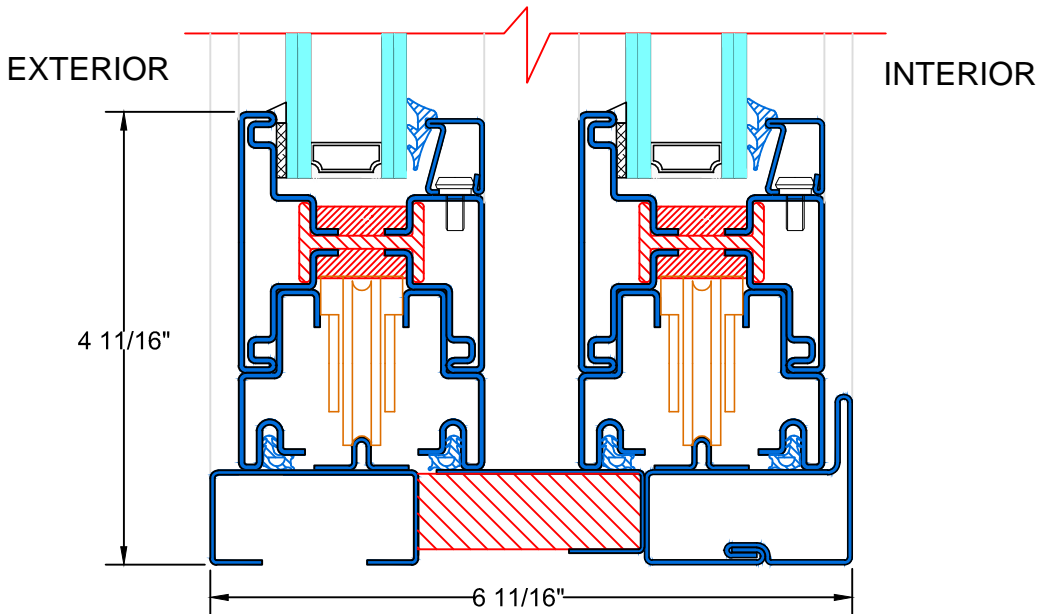
D TYPICAL JAMB
EXTERIOR SIDE OPERABLE

E TYPICAL JAMB
INTERIOR SIDE OPERABLE

LIFT & SLIDE DOOR

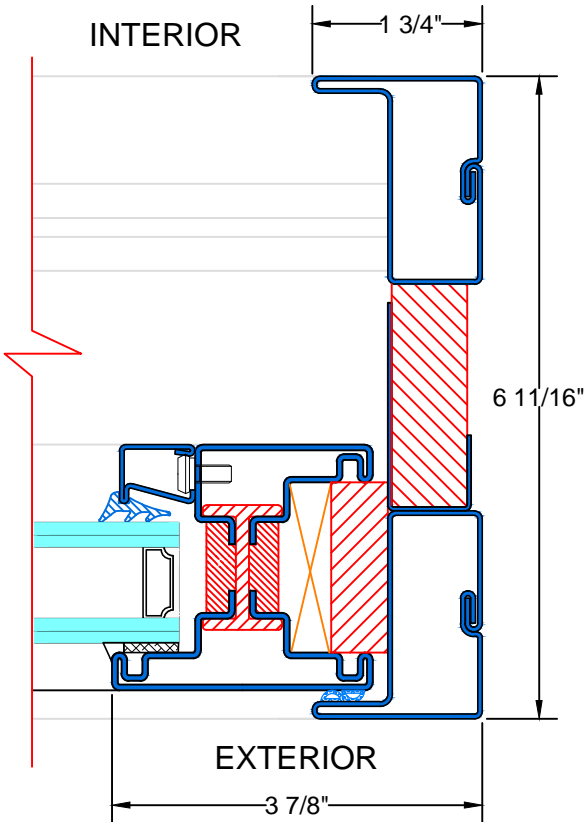


F TYPICAL HEAD
BOTH OPERABLE

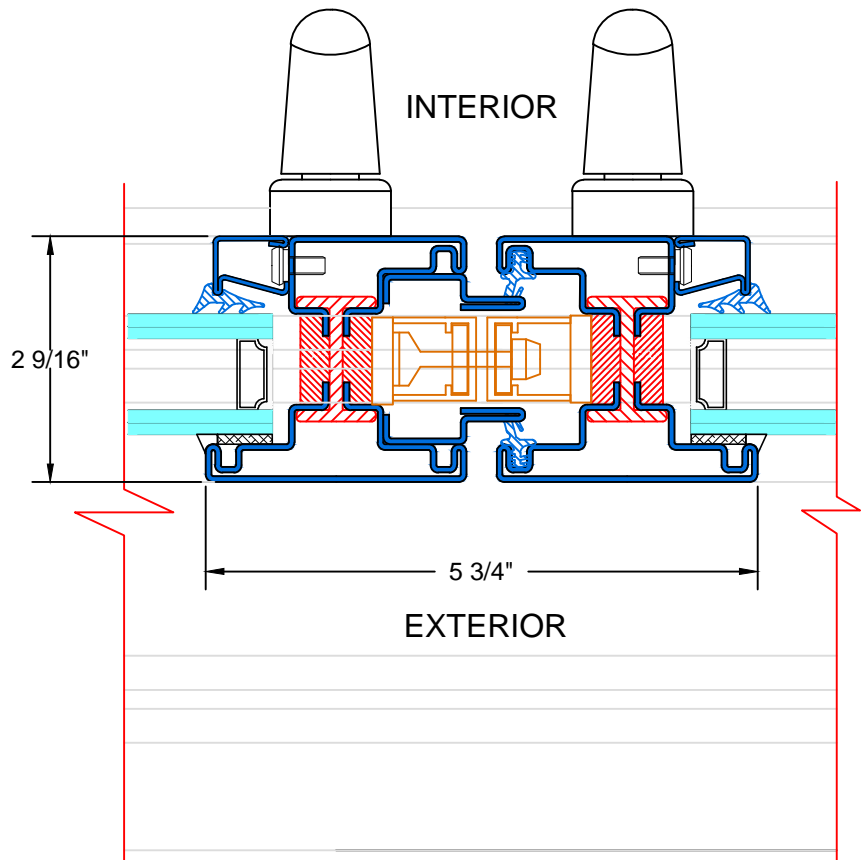


G TYPICAL SILL
BOTH OPERABLE

LIFT & SLIDE DOOR

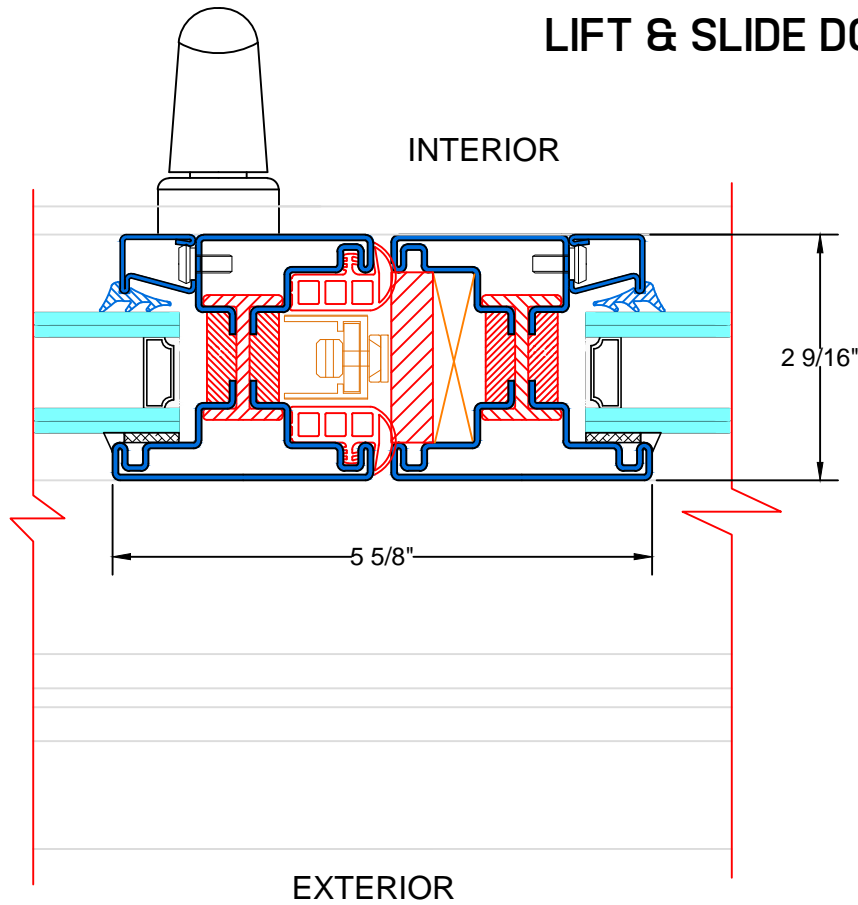


H TYPICAL HEAD
FIXED

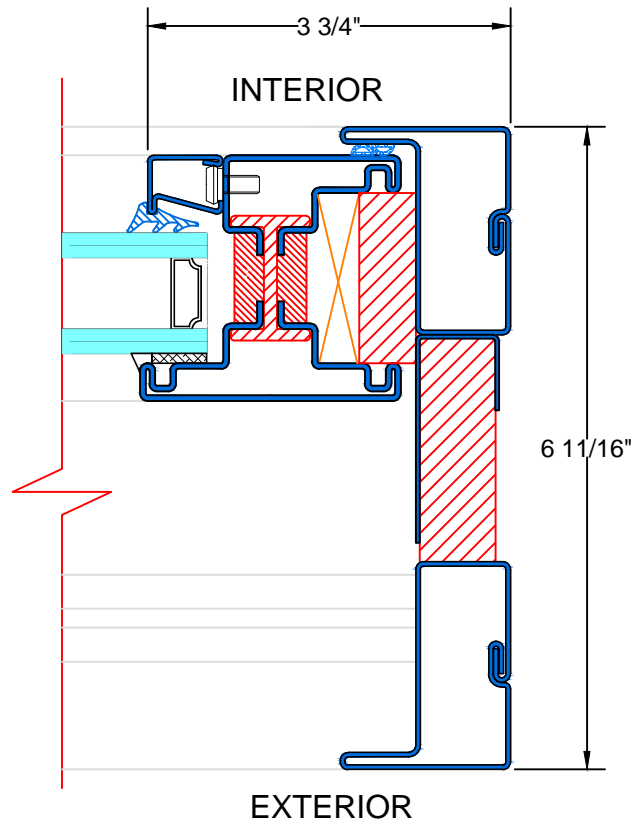


J TYPICAL MEETING RAIL
ONE OPERABLE

LIFT & SLIDE DOOR

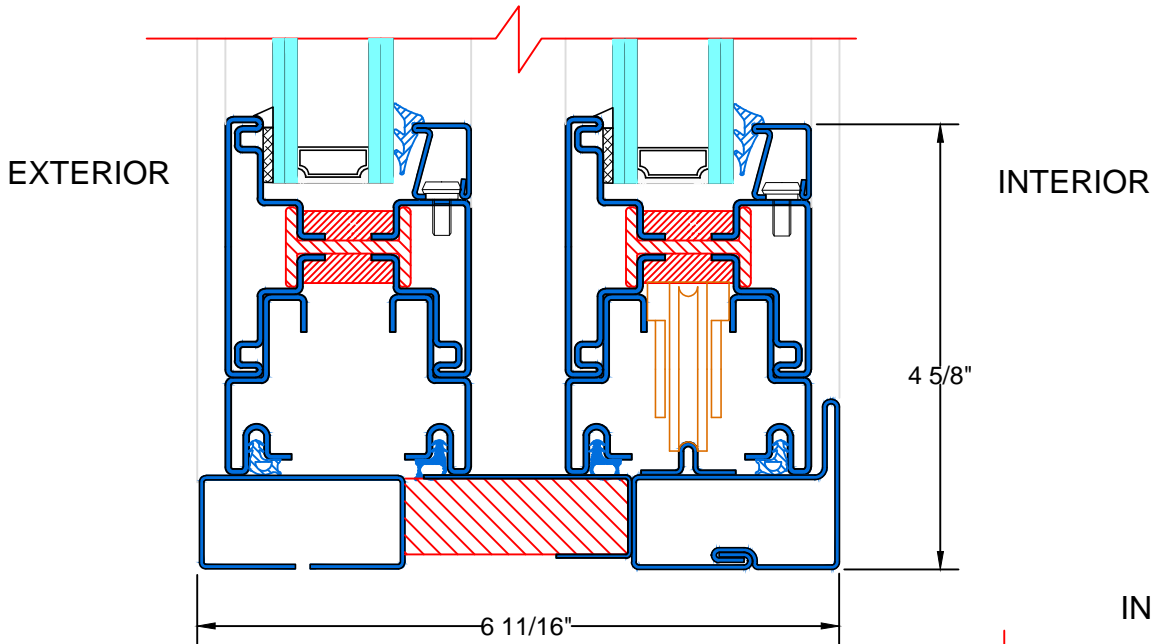


K TYPICAL MEETING RAIL
ONE OPERABLE

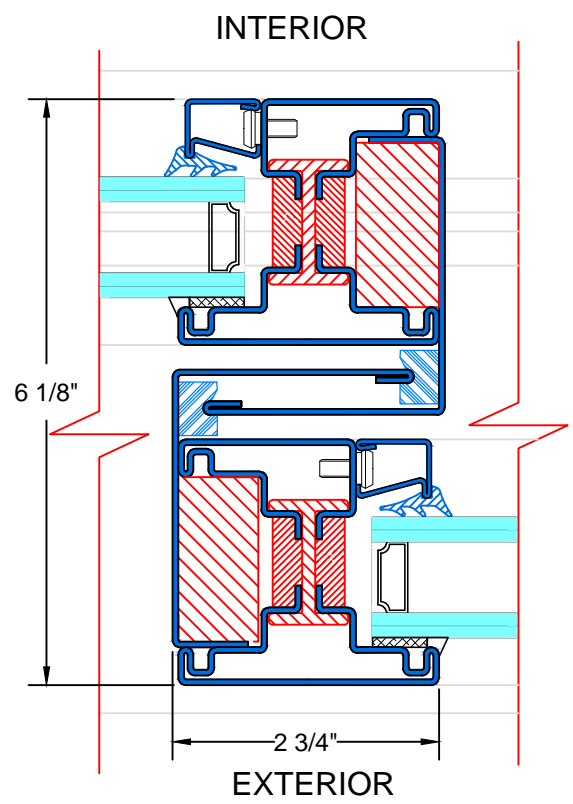


L TYPICAL JAMB
FIXED

LIFT & SLIDE DOOR



M TYPICAL SILL
INTERIOR SIDE OPERABLE

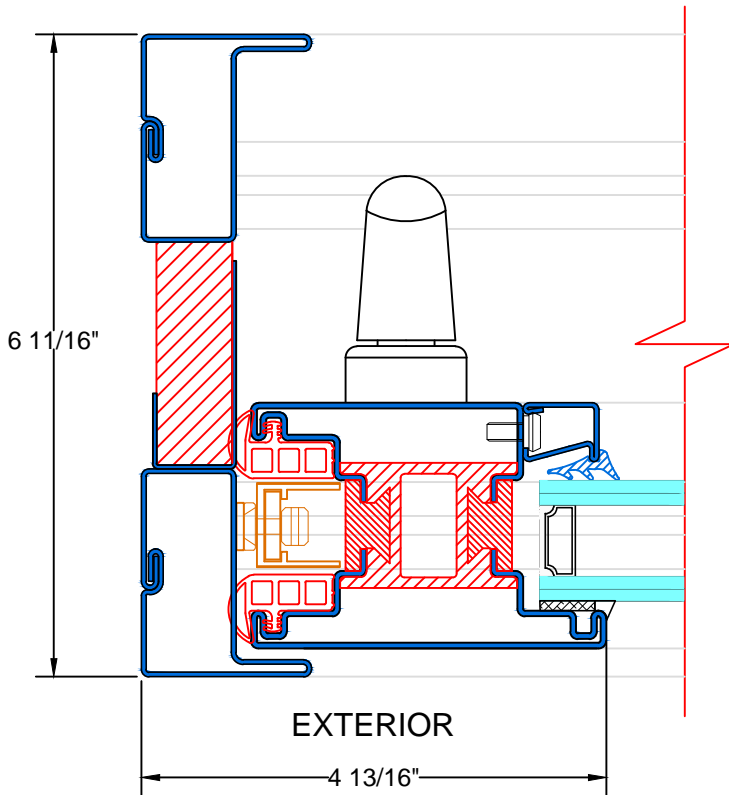


N TYPICAL CROSSING RAIL
EXTERIOR SIDE FIXED

LIFT & SLIDE DOOR

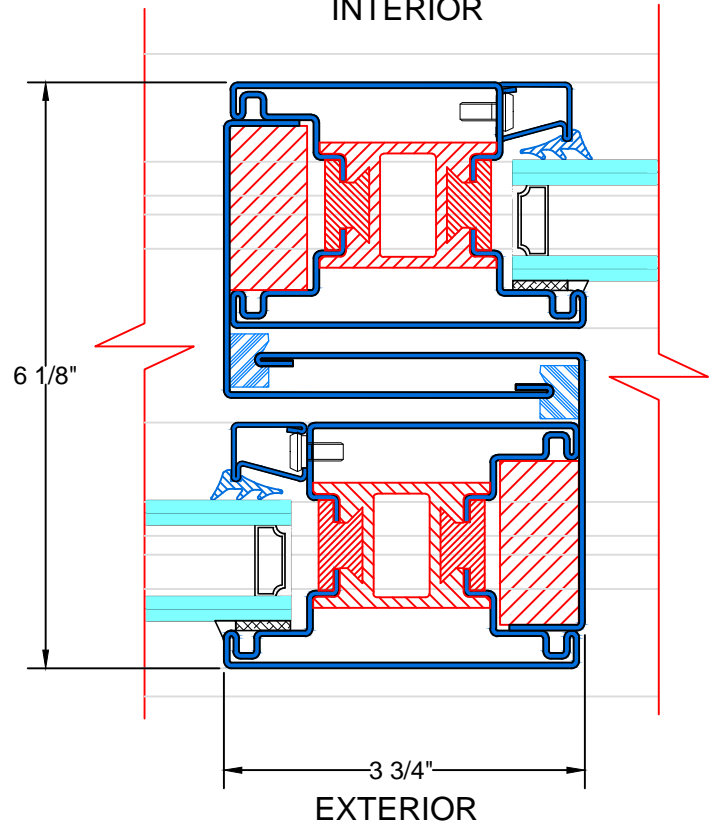
OPTIONAL PROFILES

INTERIOR



1 TYPICAL JAMB

INTERIOR



2 TYPICAL CROSSING RAIL