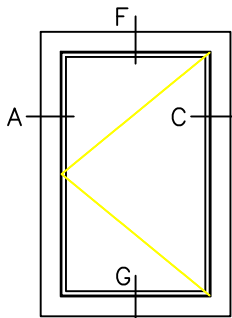
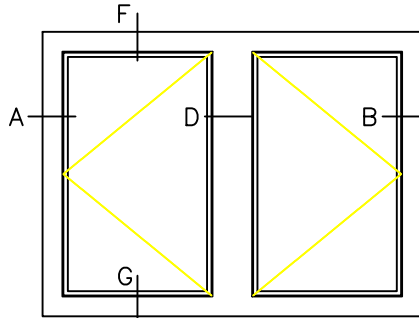




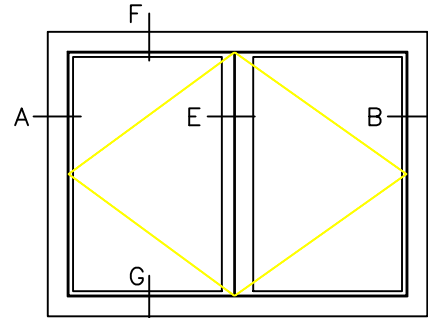
IN SWING CASEMENT



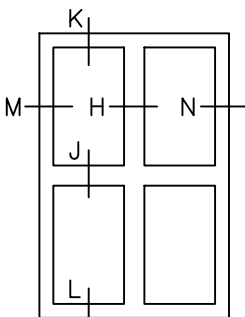
6511-IC



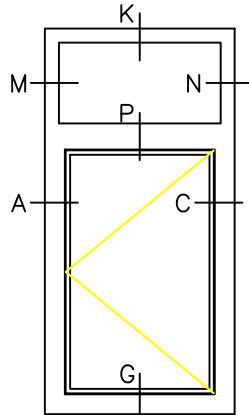
6521-DB-IC



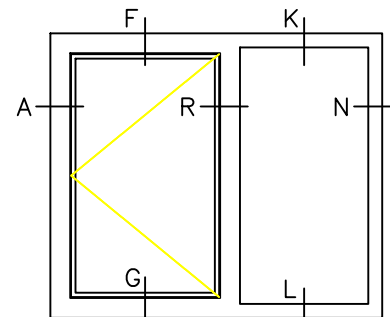
6521-FR-IC



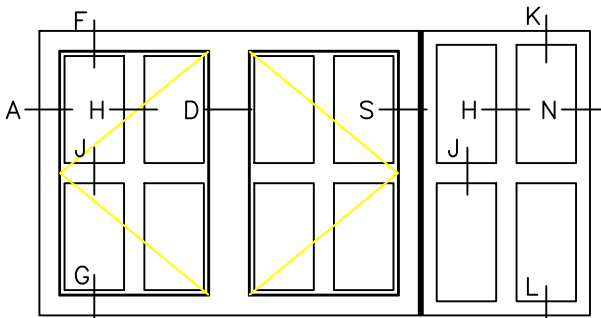
6522-FX



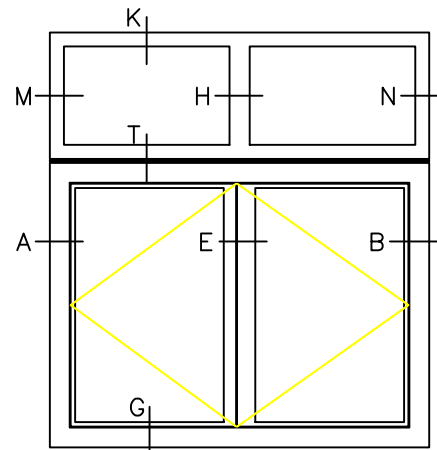
6512-IC-FX



6521-IC-FX

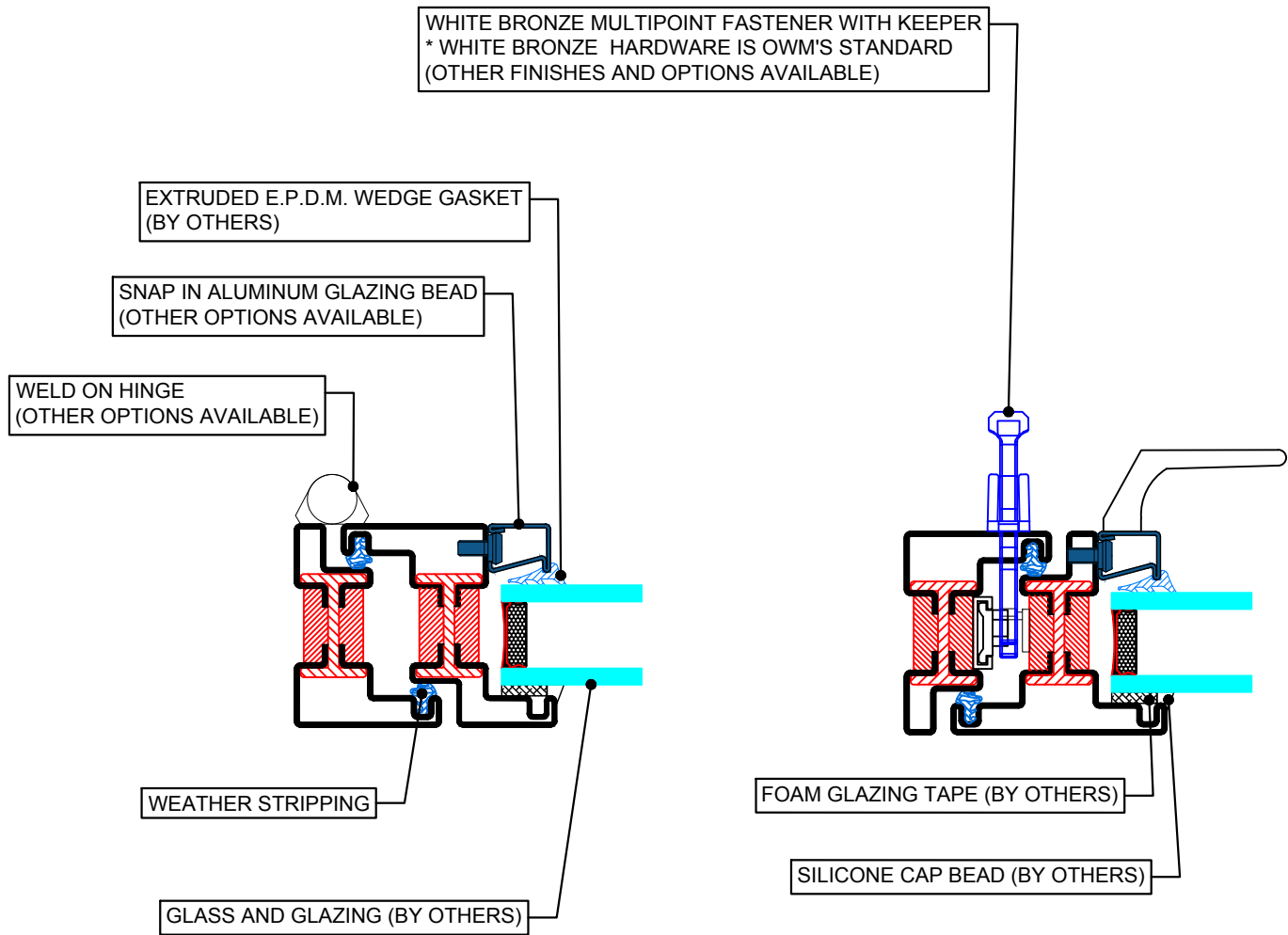


6562-DB-IC-FX



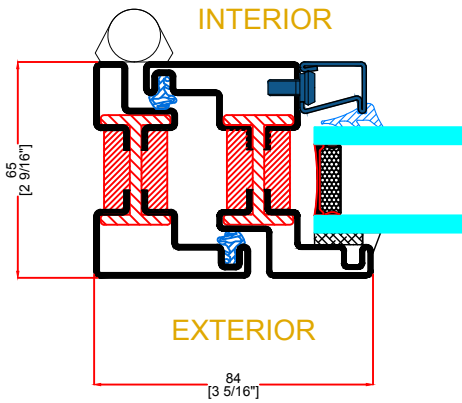
6522-FR-IC-FX

IN SWING CASEMENT

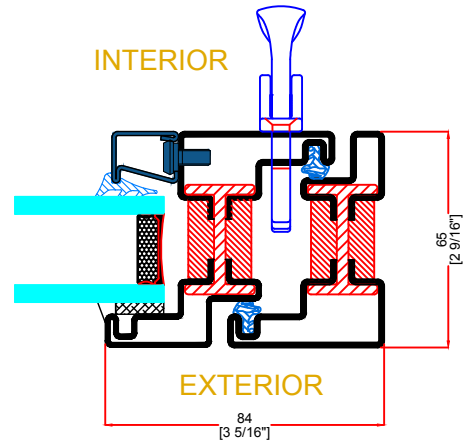




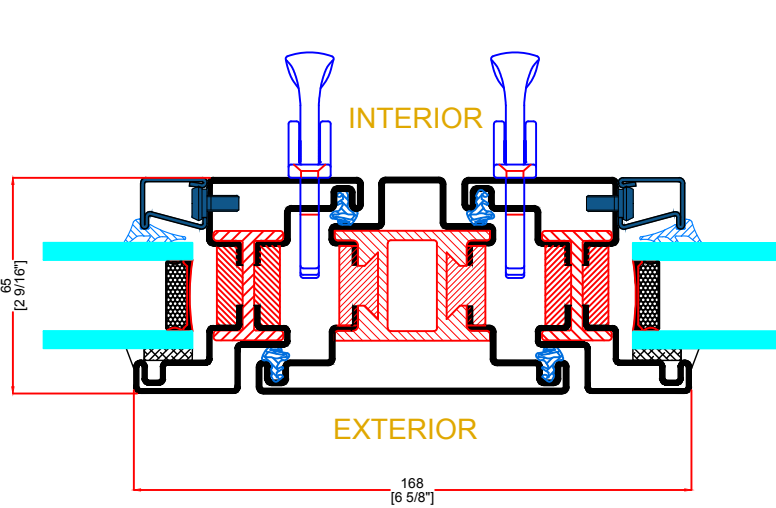
INSWING CASEMENT



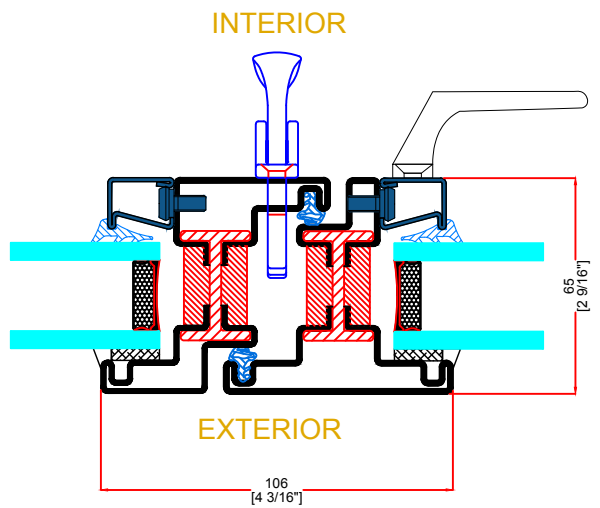
A&B TYPICAL HINGED JAMB



C TYPICAL LOCKING JAMB

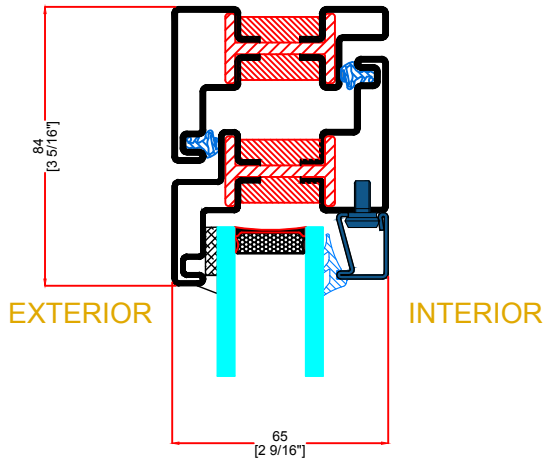


D TYPICAL MEETING RAIL

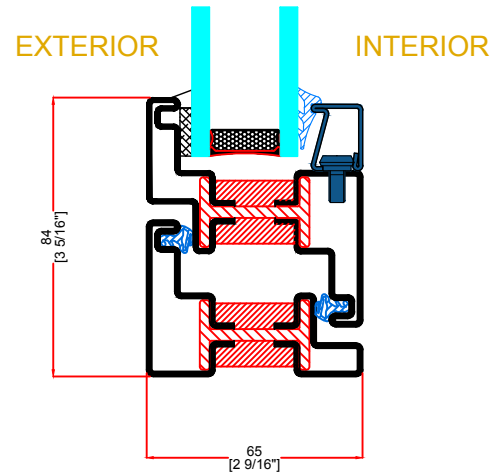


E TYPICAL FRENCH MEETING RAIL

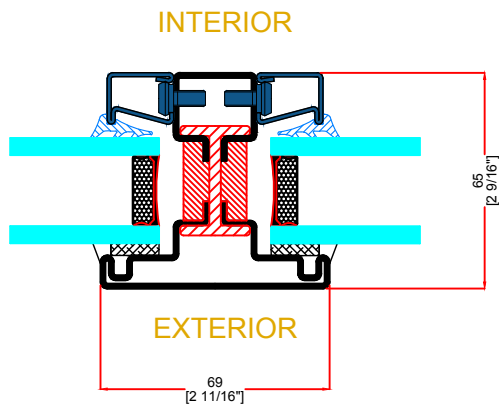
IN SWING CASEMENT



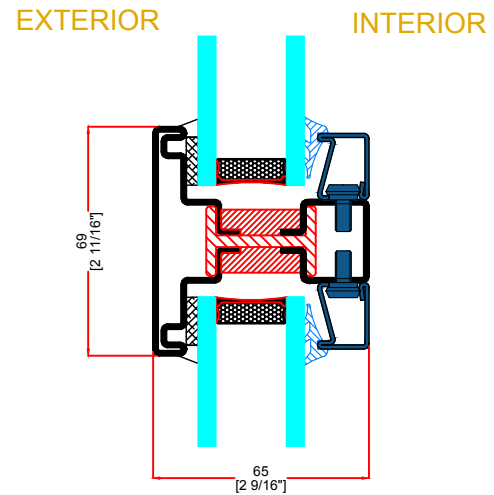
F TYPICAL HEAD



G TYPICAL SILL



H TYPICAL VERTICAL MUNTIN



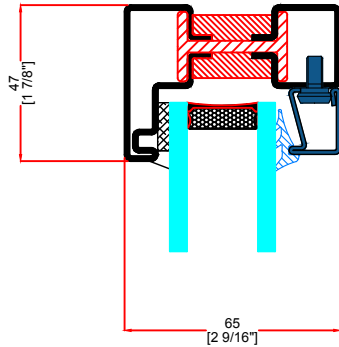
J TYPICAL HORIZONTAL MUNTIN



INSWING CASEMENT

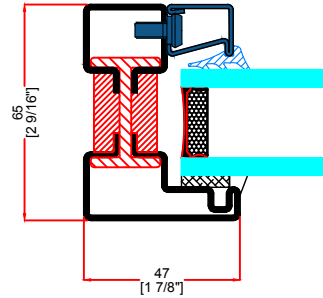
EXTERIOR

INTERIOR



K&L TYPICAL FIXED HEAD & SILL

INTERIOR

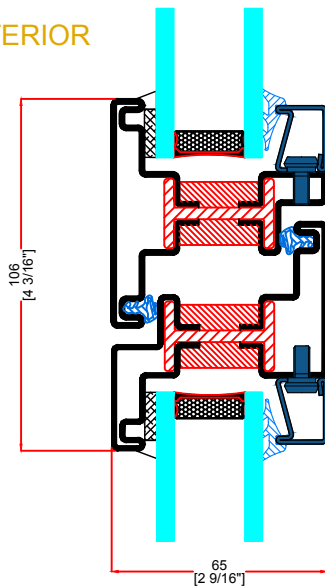


EXTERIOR

M&N TYPICAL FIXED JAMB

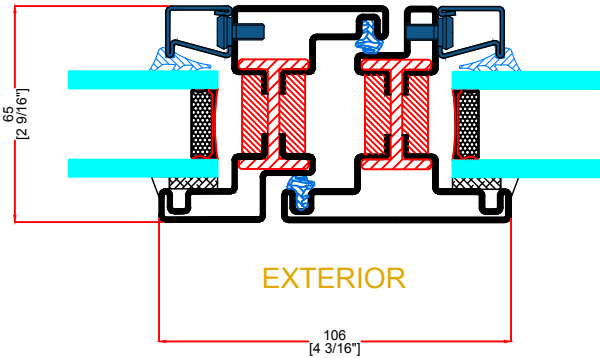
EXTERIOR

INTERIOR



P TYPICAL STACKING TRANSOM

INTERIOR

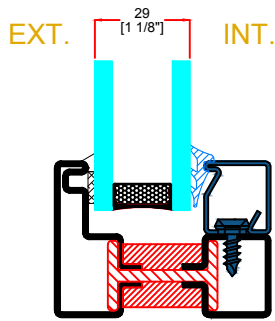


EXTERIOR

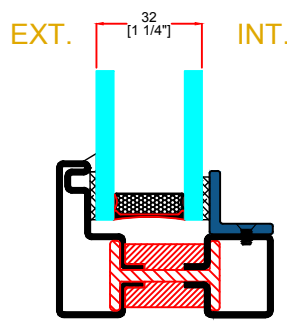
R TYPICAL JOINING SIDELITE



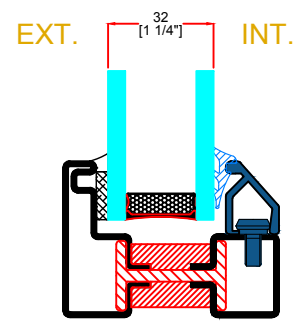
GLAZING BEADS



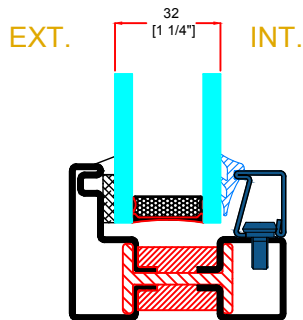
GB-1007
GLAZING BEAD



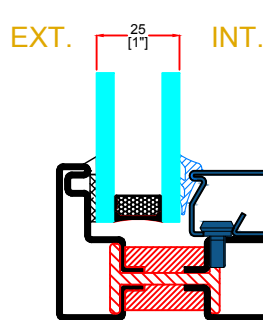
GB18-.75
GLAZING BEAD



GB-1015
GLAZING BEAD



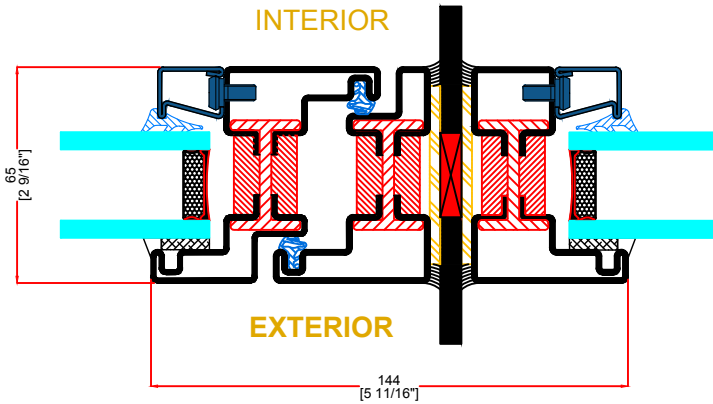
GB-2007
GLAZING BEAD



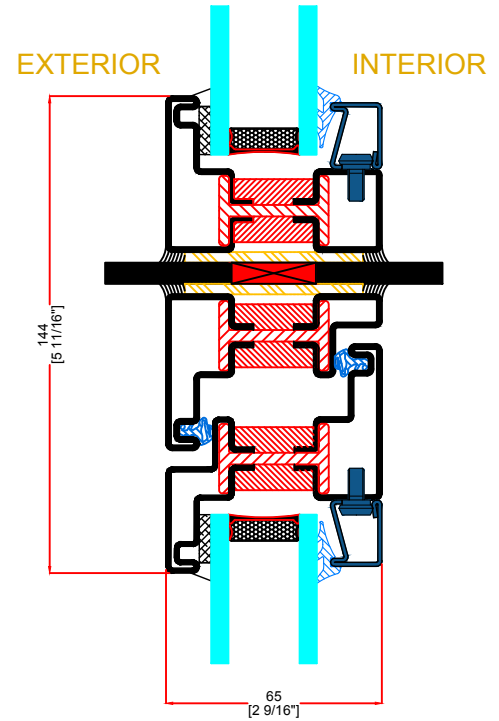
GB-2008
GLAZING BEAD



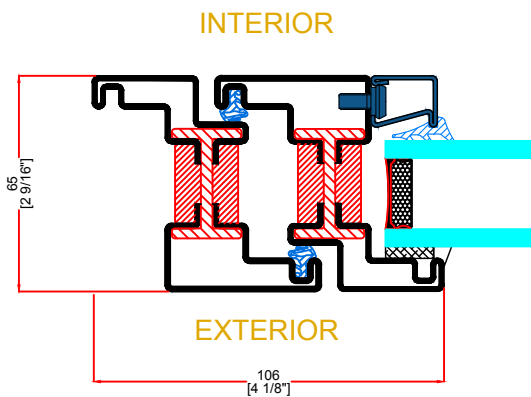
INSWING CASEMENT



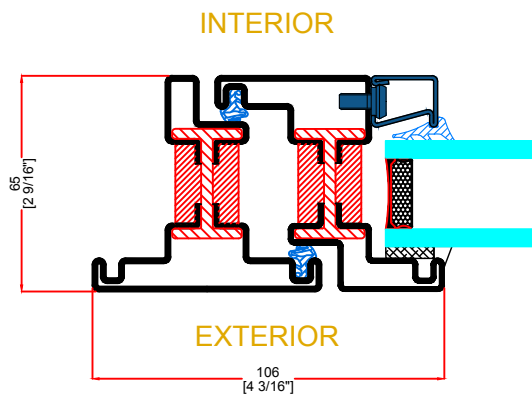
S TYPICAL JOINING MULLION



T TYPICAL STACKING TRANSOM



1 TYPICAL JAMB INTERIOR FLANGE



2 TYPICAL JAMB EXTERIOR FLANGE