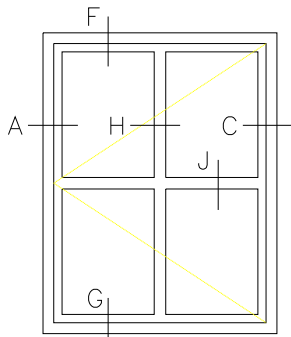
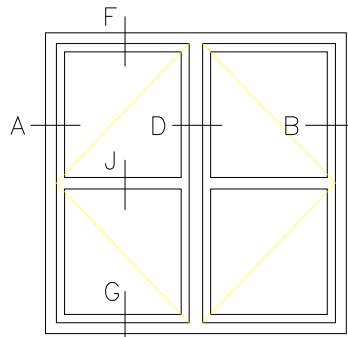


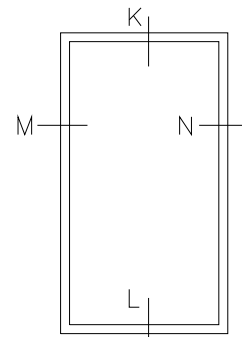
INSWING CASEMENT



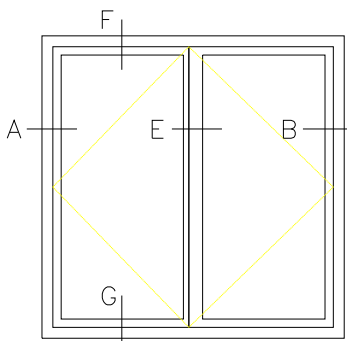
HR4522-IC



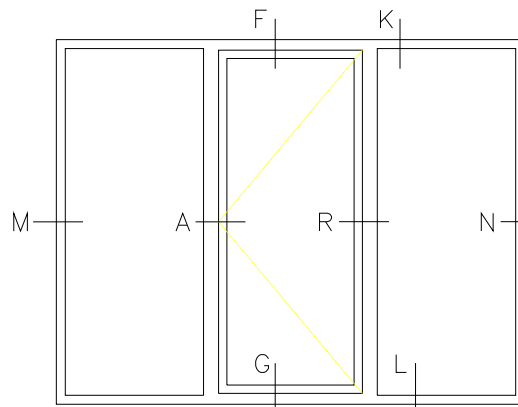
HR4522-DB-IC



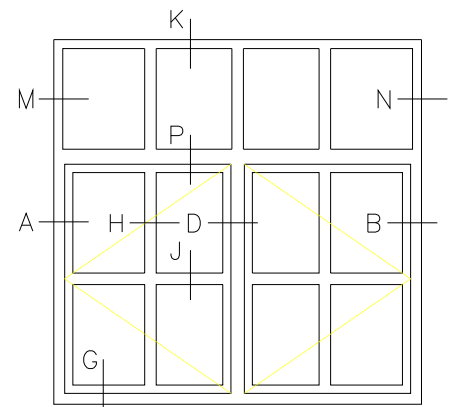
HR4511-FX



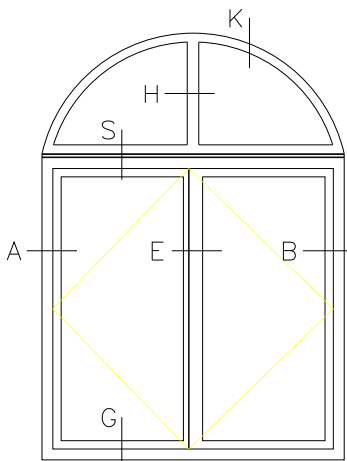
HR4521-FR-IC



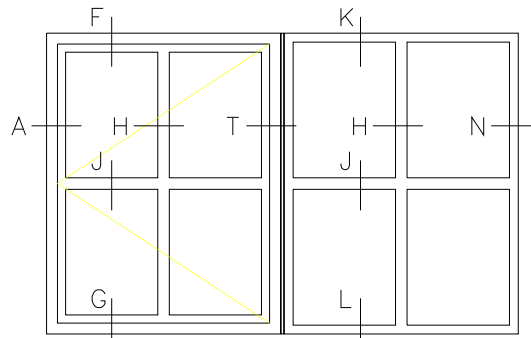
HR4531-IC-FX



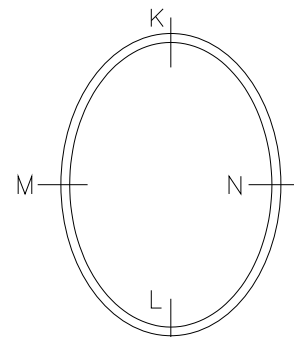
HR4543-DB-IC-FX



HR4522-FR-IC-FX-ARCH

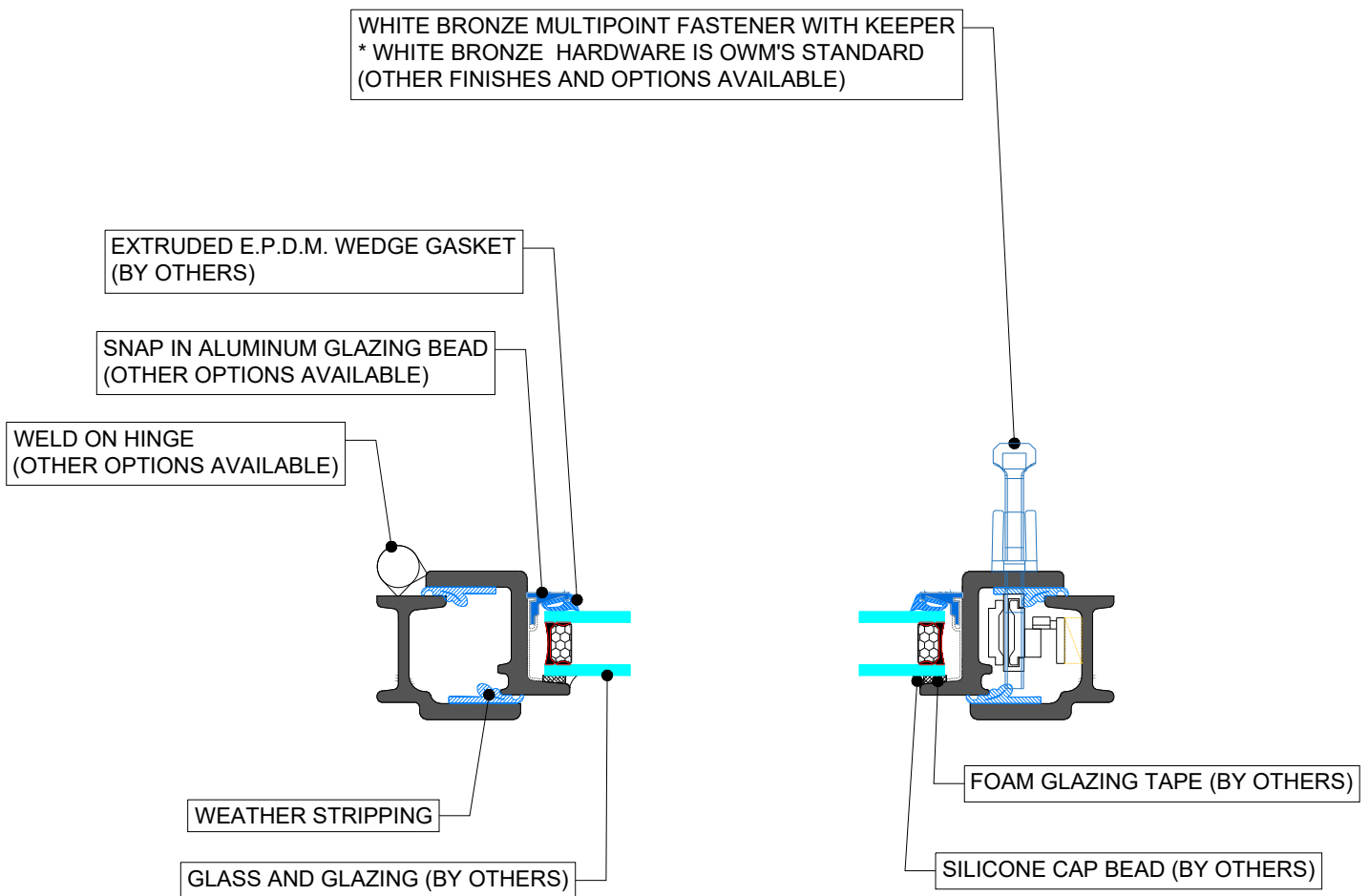


HR4542-IC-FX



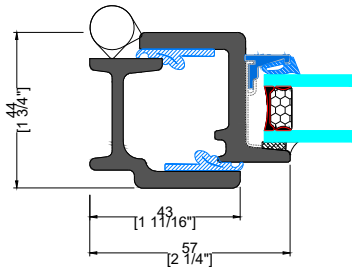
HR4511-FX-OVAL

INSWING CASEMENT



INSWING CASEMENT

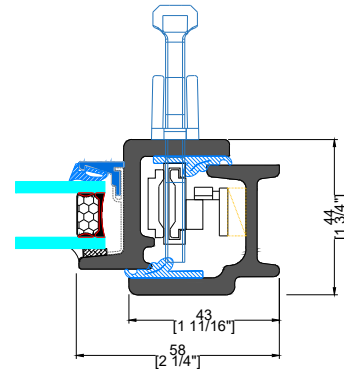
INTERIOR



EXTERIOR

A&B TYPICAL HINGED JAMB

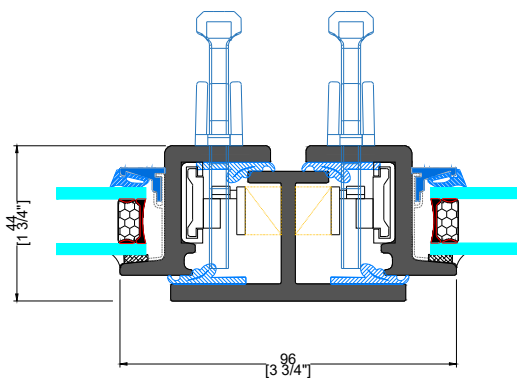
INTERIOR



EXTERIOR

C TYPICAL LOCKING JAMB

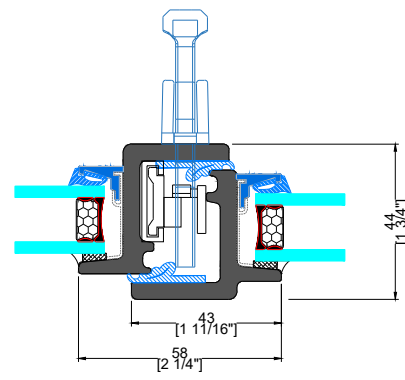
INTERIOR



EXTERIOR

D TYPICAL DOUBLE MEETING RAIL

INTERIOR



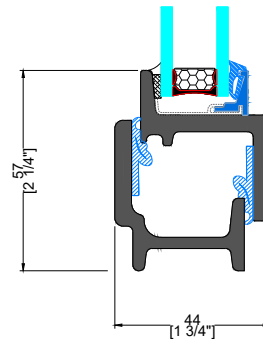
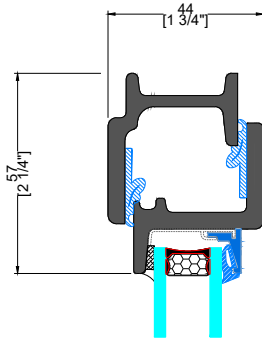
EXTERIOR

E TYPICAL FRENCH MEETING RAIL

IN SWING CASEMENT

EXTERIOR

INTERIOR



EXTERIOR

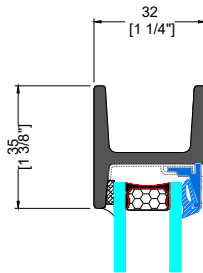
INTERIOR

F TYPICAL HEAD

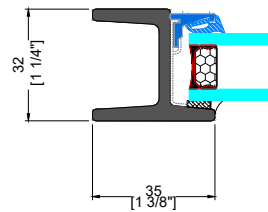
G TYPICAL SILL

EXTERIOR

INTERIOR



INTERIOR



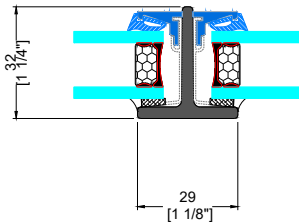
EXTERIOR

K&L TYPICAL FIXED HEAD & SILL

M&N TYPICAL FIXED JAMB

INSWING CASEMENT

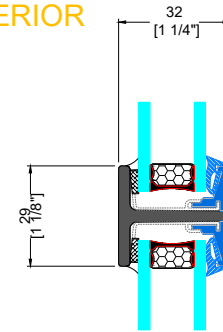
INTERIOR



EXTERIOR

H TYPICAL VERTICAL MUNTIN

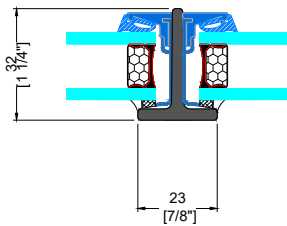
EXTERIOR



INTERIOR

J TYPICAL HORIZONTAL MUNTIN

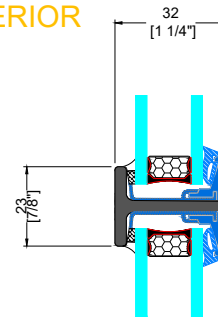
INTERIOR



EXTERIOR

E SMALL VERTICAL MUNTIN

EXTERIOR



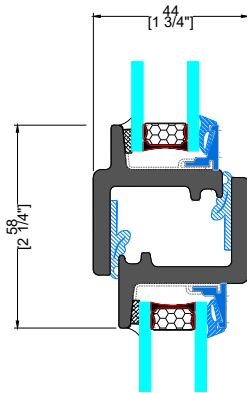
INTERIOR

F SMALL HORIZONTAL MUNTIN

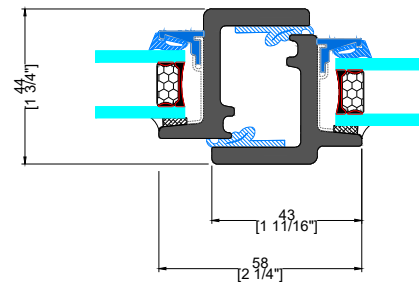
IN SWING CASEMENT

EXTERIOR

INTERIOR



INTERIOR

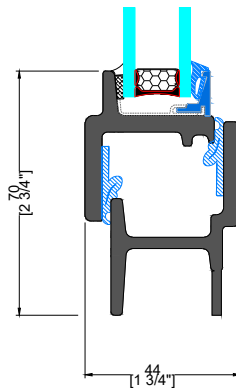


EXTERIOR

P TYPICAL HEAD
W/ TRANSOM

R TYPICAL JAMB
W/ SIDELITE

INTERIOR

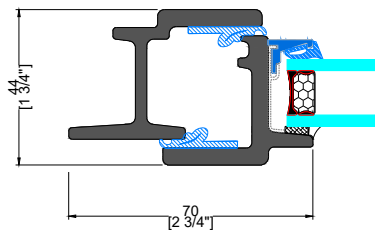


EXTERIOR

1 TYPICAL
LONG LEG FRAME

INSWING CASEMENT

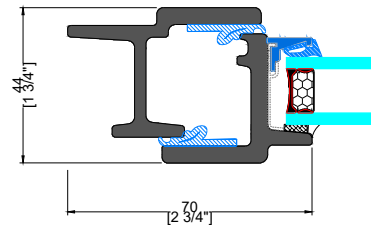
INTERIOR



EXTERIOR

1 TYPICAL JAMB
EXTERIOR FLANGE

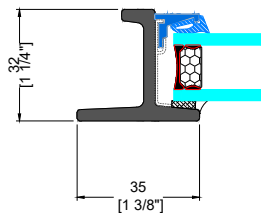
INTERIOR



EXTERIOR

2 TYPICAL JAMB
INTERIOR FLANGE

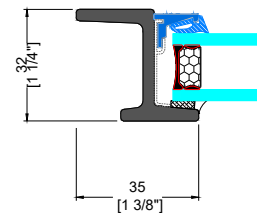
INTERIOR



EXTERIOR

3 TYPICAL FIXED
EXTERIOR FLANGE

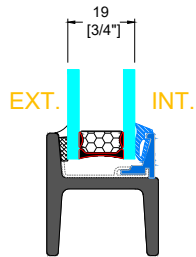
INTERIOR



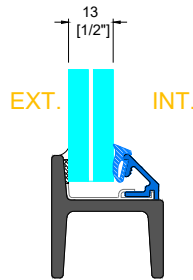
EXTERIOR

4 TYPICAL FIXED
INTERIOR FLANGE

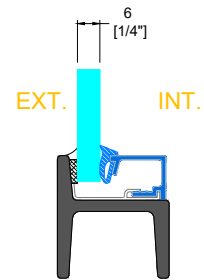
GLAZING BEADS



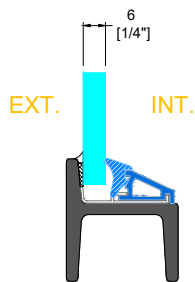
GB-05
GLAZING BEAD



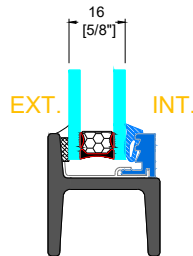
GB-04
GLAZING BEAD



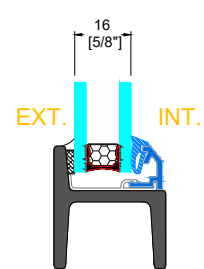
GB-06
GLAZING BEAD



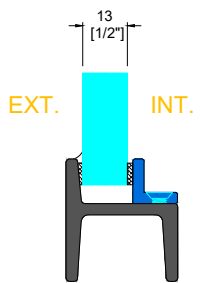
GB-16
GLAZING BEAD



GB-13
GLAZING BEAD



GB-12
GLAZING BEAD



GB-18X
GLAZING BEAD