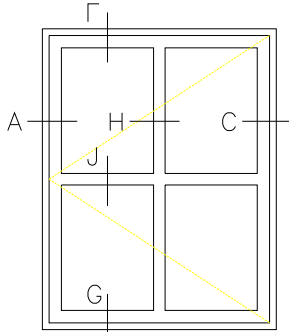
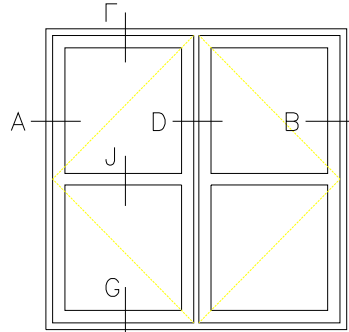


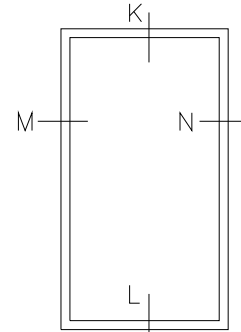
OUTSWING CASEMENT



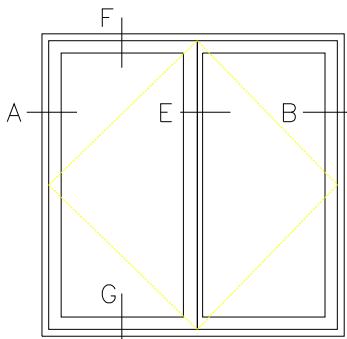
HR4522-OC



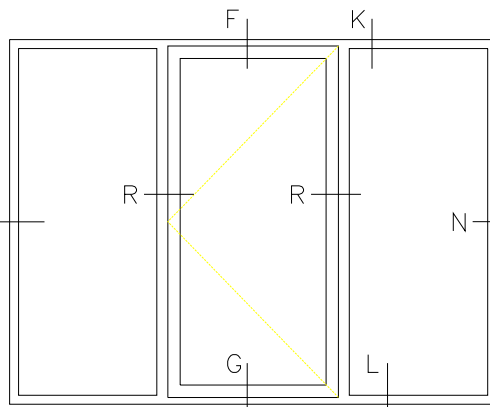
HR4522-DB-OC



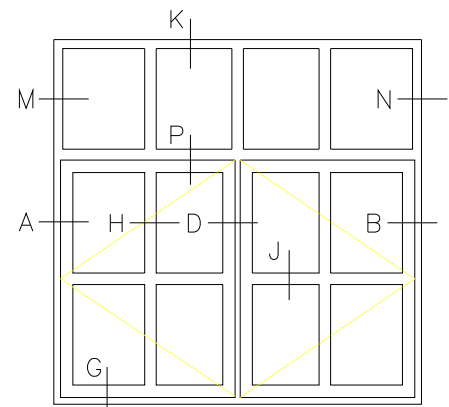
HR4511-FX



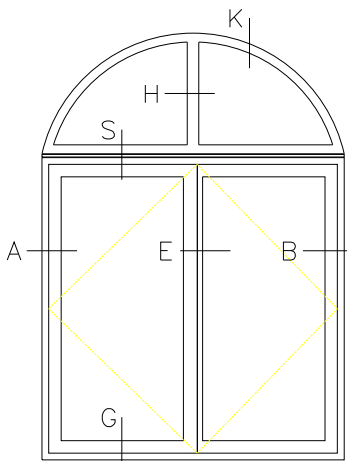
HR4521-FR-OC



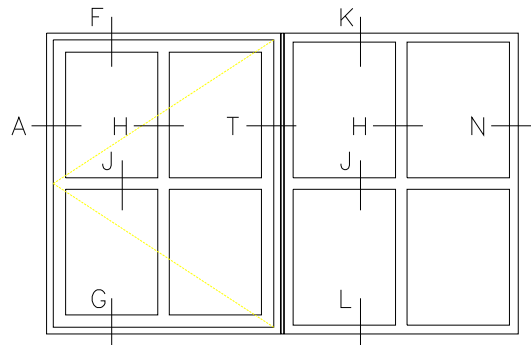
HR4531-OC-FX



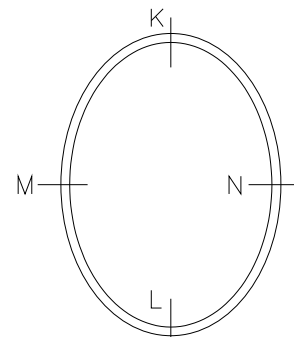
HR4543-DB-OC-FX



HR4522-FR-OC-FX ARCH

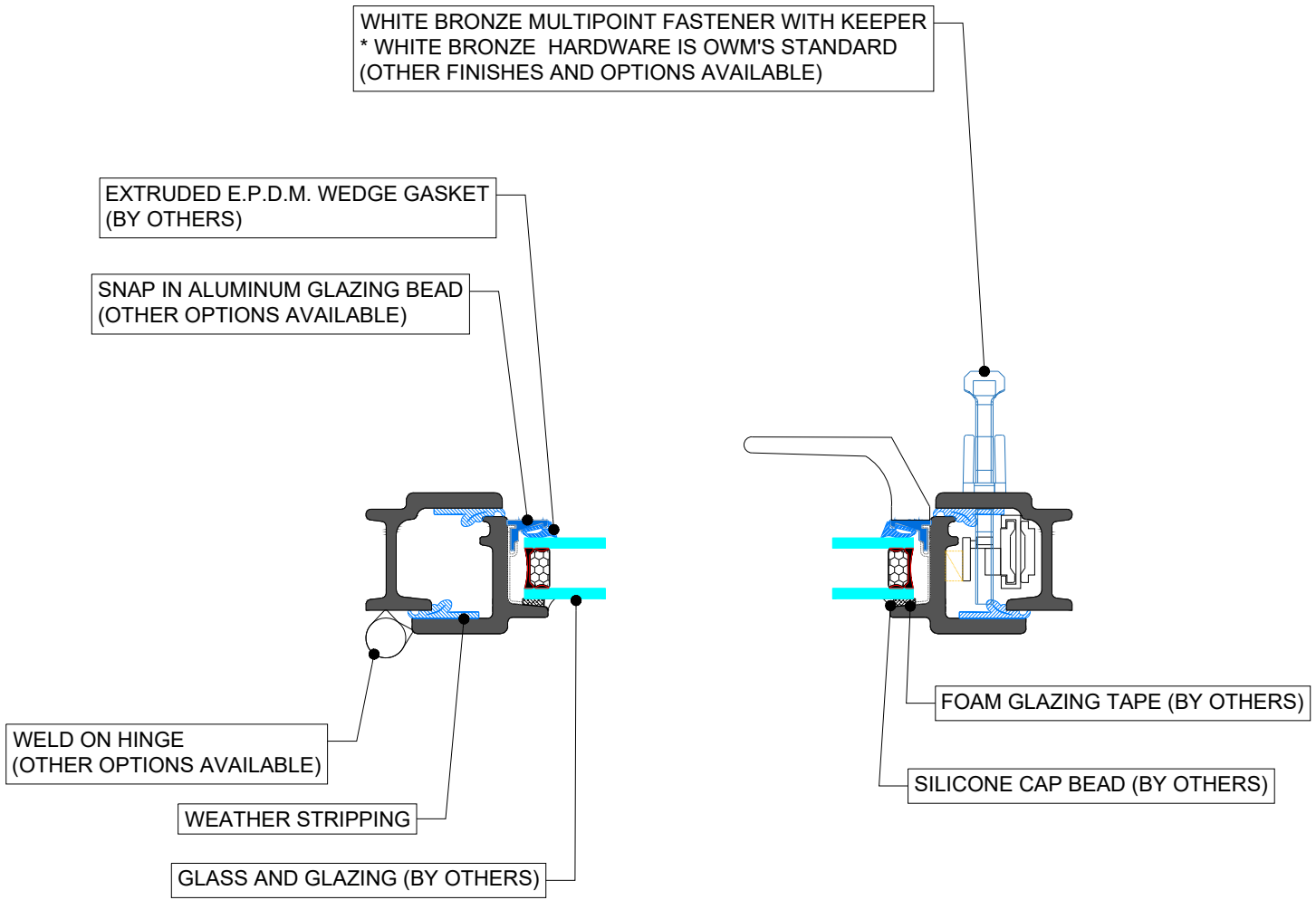


HR4542-OC-FX



HR4511-FX OVAL

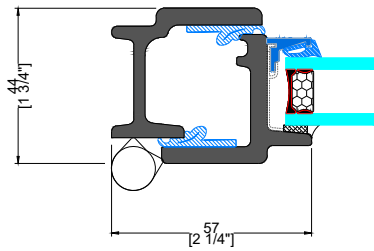
OUTSWING CASEMENT





OUTSWING CASEMENT

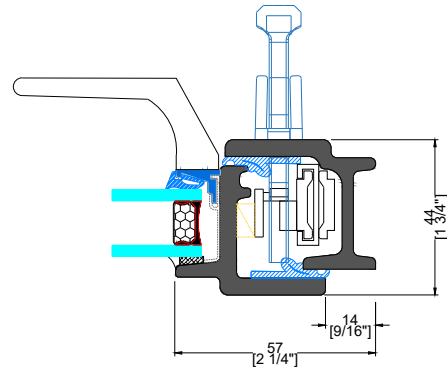
INTERIOR



EXTERIOR

A&B TYPICAL HINGED JAMB

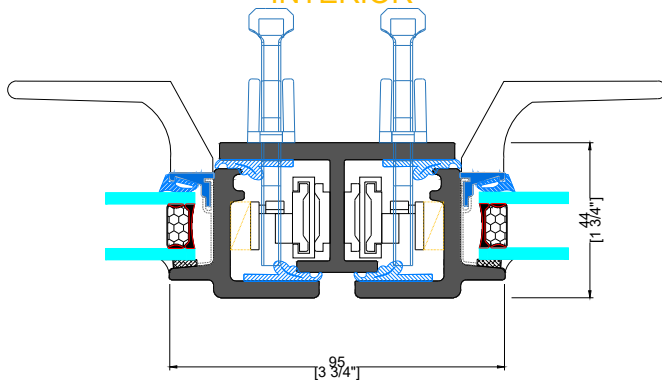
INTERIOR



EXTERIOR

C TYPICAL LOCKING JAMB

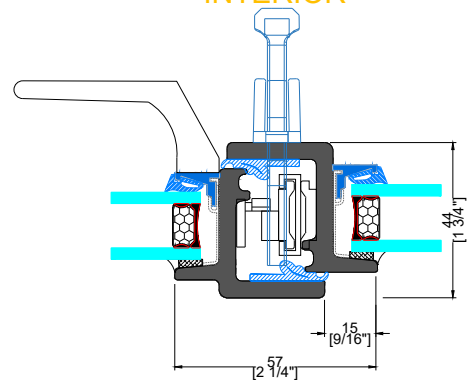
INTERIOR



EXTERIOR

D TYPICAL MEETING RAIL

INTERIOR



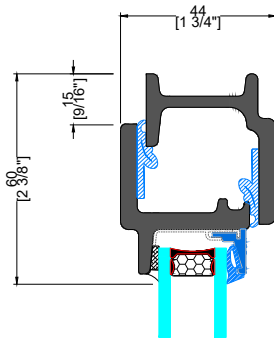
EXTERIOR

E TYPICAL FRENCH MEETING RAIL

OUTSWING CASEMENT

EXTERIOR

INTERIOR

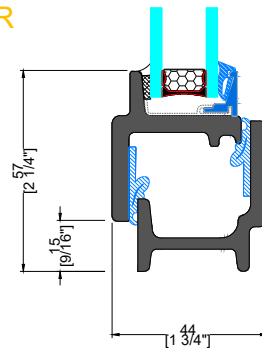


F

TYPICAL HEAD

EXTERIOR

INTERIOR

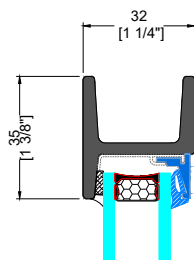


G

TYPICAL SILL

EXTERIOR

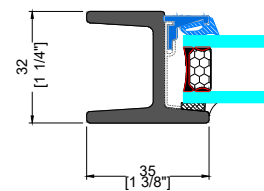
INTERIOR



K&L

TYPICAL FIXED HEAD & SILL

INTERIOR

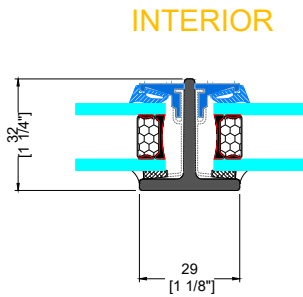


EXTERIOR

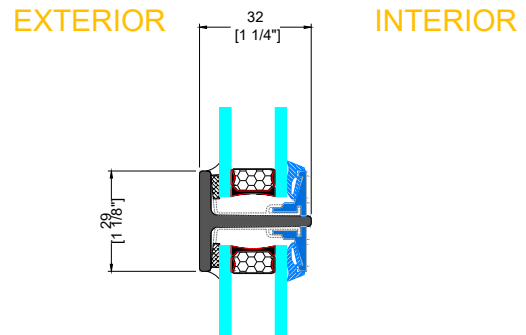
M&N

TYPICAL FIXED JAMB

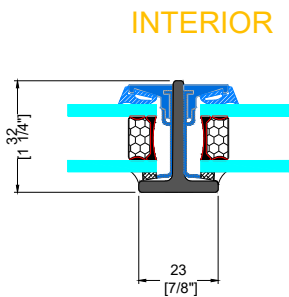
OUTSWING CASEMENT



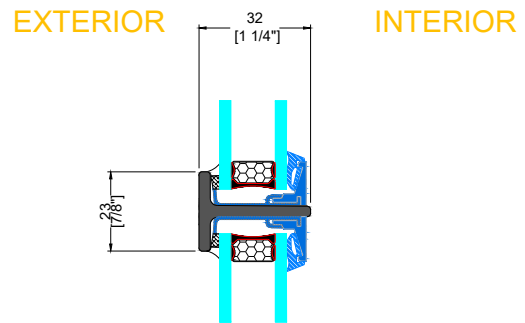
H TYPICAL VERTICAL MUNTIN



J TYPICAL HORIZONTAL MUNTIN



E SMALL VERTICAL MUNTIN

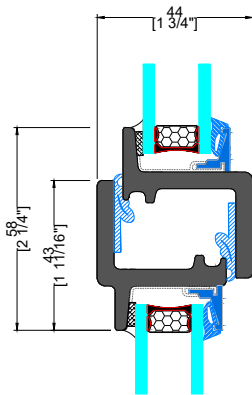


F SMALL HORIZONTAL MUNTIN

OUTSWING CASEMENT

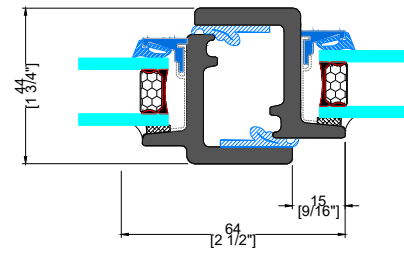
EXTERIOR

INTERIOR



P TYPICAL HEAD W/ TRANSOM

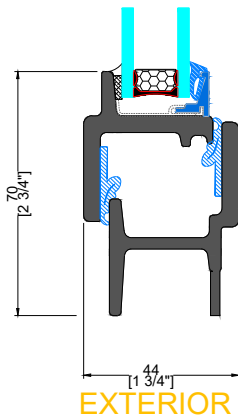
INTERIOR



EXTERIOR

R TYPICAL JAMB W/ SIDELITE

INTERIOR

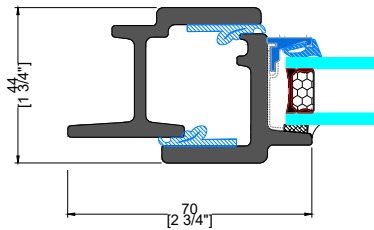


EXTERIOR

1 TYPICAL LONG LEG FRAME

OUTSWING CASEMENT

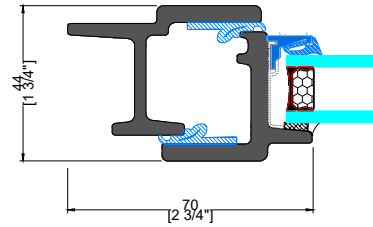
INTERIOR



EXTERIOR

1 TYPICAL JAMB EXTERIOR FLANGE

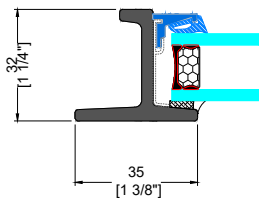
INTERIOR



EXTERIOR

2 TYPICAL JAMB INTERIOR FLANGE

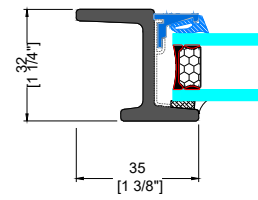
INTERIOR



EXTERIOR

3 TYPICAL FIXED EXTERIOR FLANGE

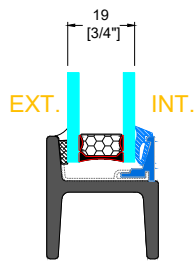
INTERIOR



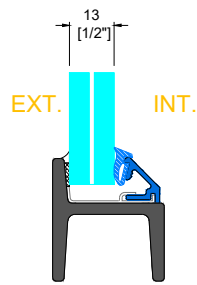
EXTERIOR

4 TYPICAL FIXED INTERIOR FLANGE

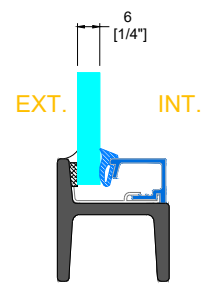
GLAZING BEADS



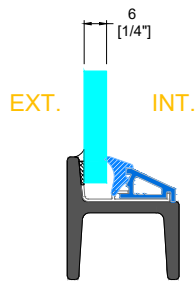
GB-05
GLAZING BEAD



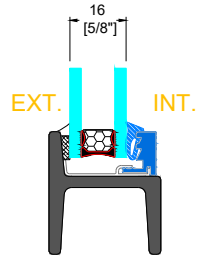
GB-04
GLAZING BEAD



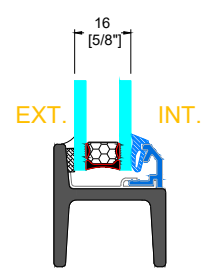
GB-06
GLAZING BEAD



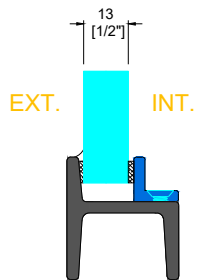
GB-16
GLAZING BEAD



GB-13
GLAZING BEAD



GB-12
GLAZING BEAD



GB-18X
GLAZING BEAD