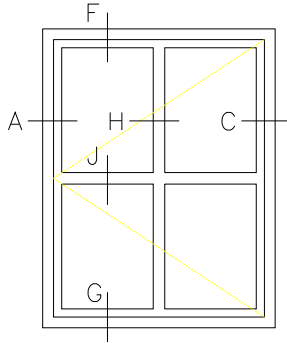
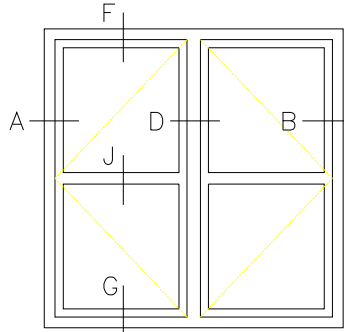


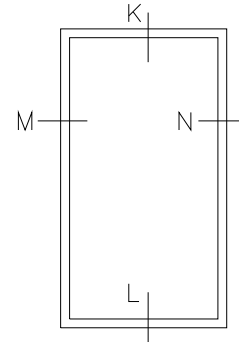
**INSWING CASEMENT**



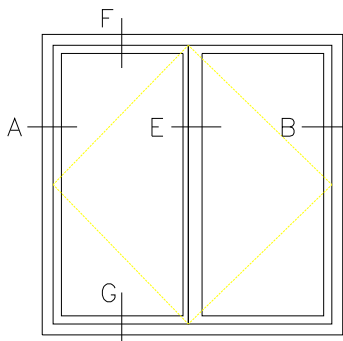
HR4722-IC



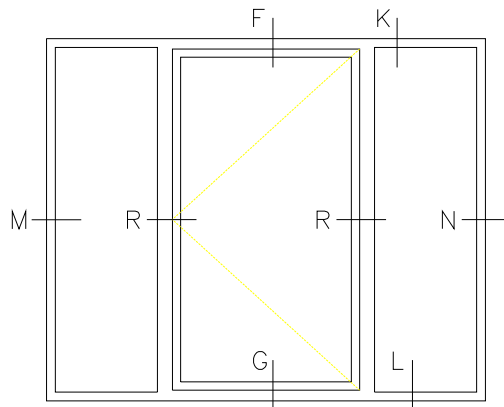
HR4722-DB-IC



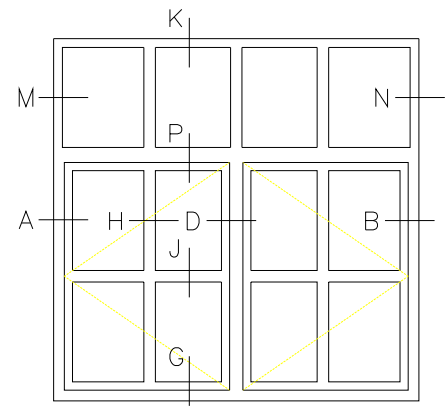
HR4711-FX



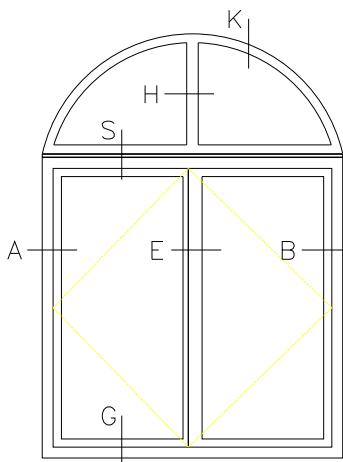
HR4721-FR-IC



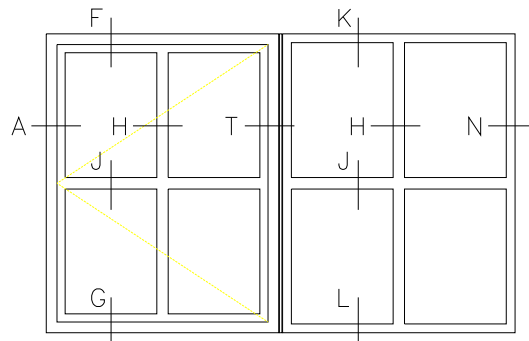
HR4731-IC-FX



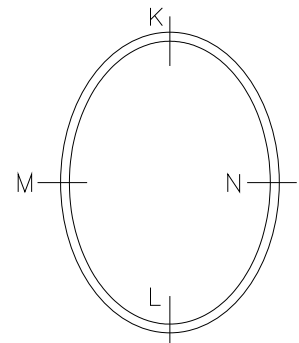
HR4743-IC-FX



HR4722-IC-FX ARCH

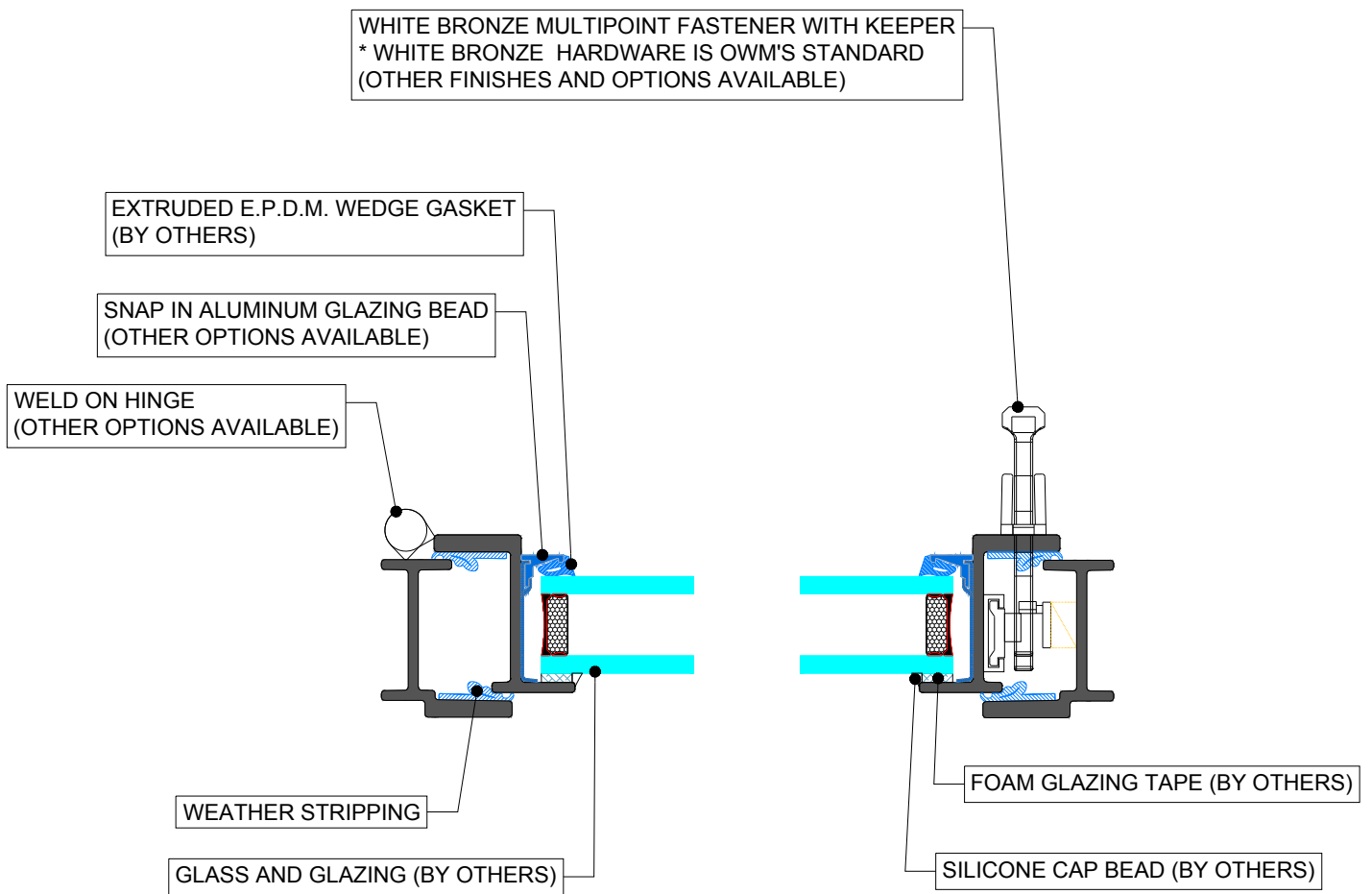


HR4742-IC-FX



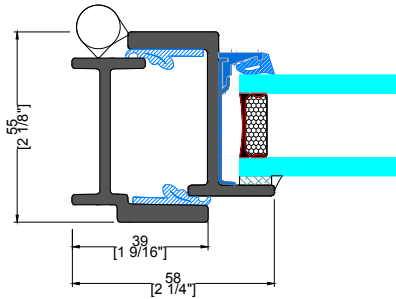
HR4711-FX OVAL

# INSWING CASEMENT



INSWING CASEMENT

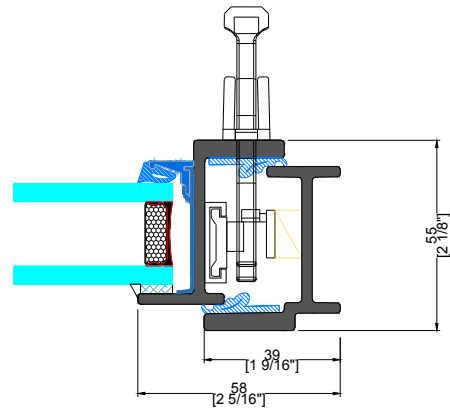
INTERIOR



EXTERIOR

**A&B** TYPICAL HINGED JAMB

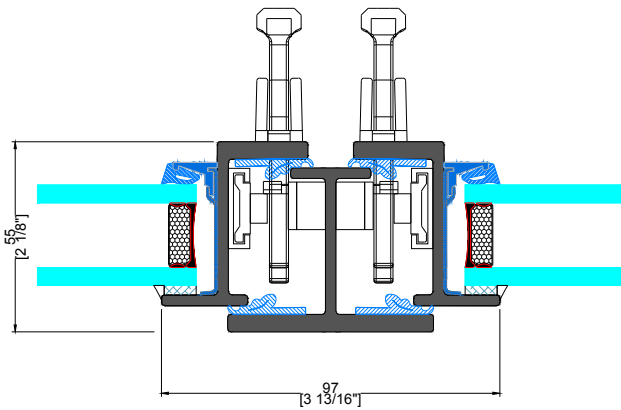
INTERIOR



EXTERIOR

**C** TYPICAL LOCKING JAMB

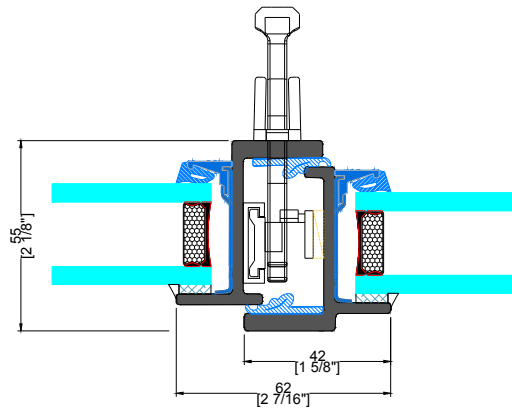
INTERIOR



EXTERIOR

**D** TYPICAL DOUBLE MEETING RAIL

INTERIOR

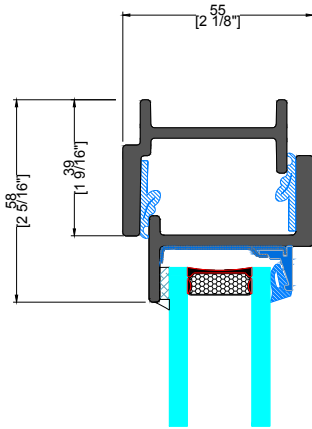


EXTERIOR

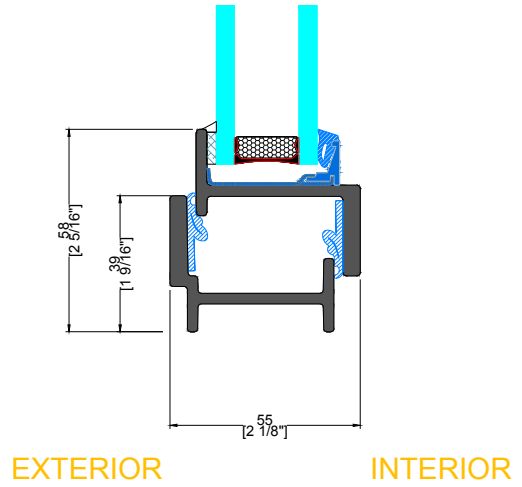
**E** TYPICAL FRENCH MEETING RAIL

INSWING CASEMENT

EXTERIOR INTERIOR

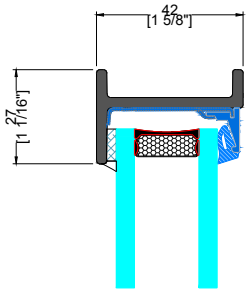


**F** TYPICAL HEAD



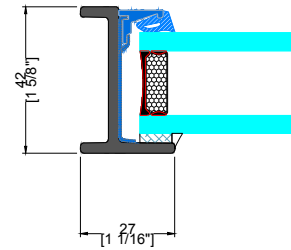
**G** TYPICAL SILL

EXTERIOR INTERIOR



**K&L** TYPICAL FIXED HEAD & SILL

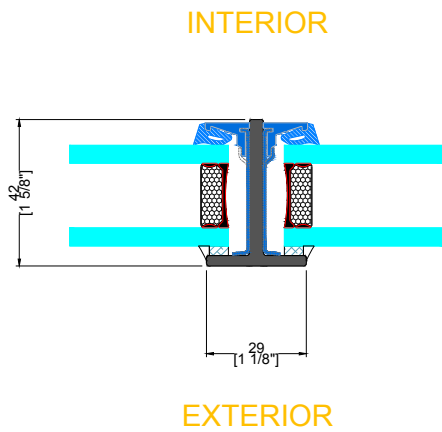
INTERIOR



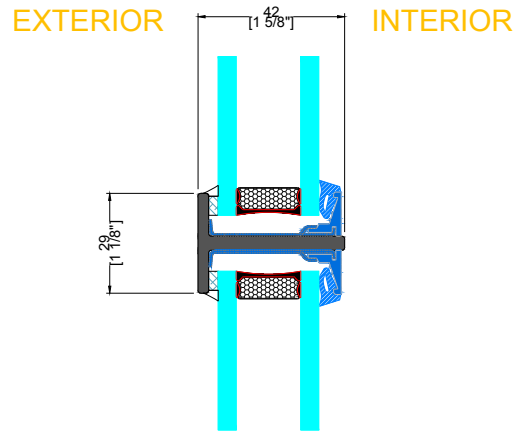
EXTERIOR

**M&N** TYPICAL FIXED JAMB

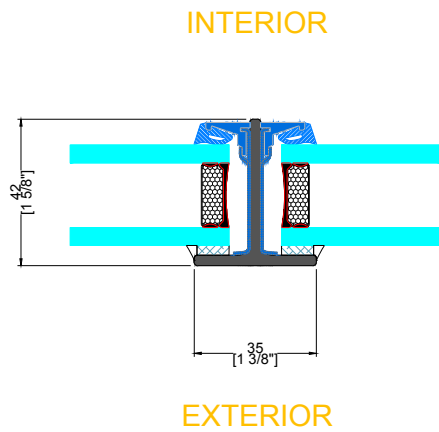
# INSWING CASEMENT



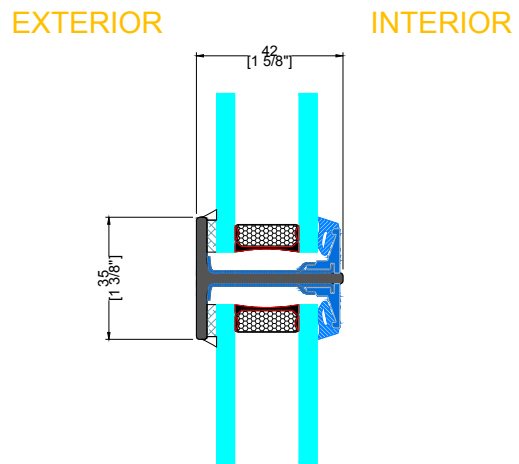
**H** SMALL VERTICAL MUNTIN



**J** SMALL HORIZONTAL MUNTIN

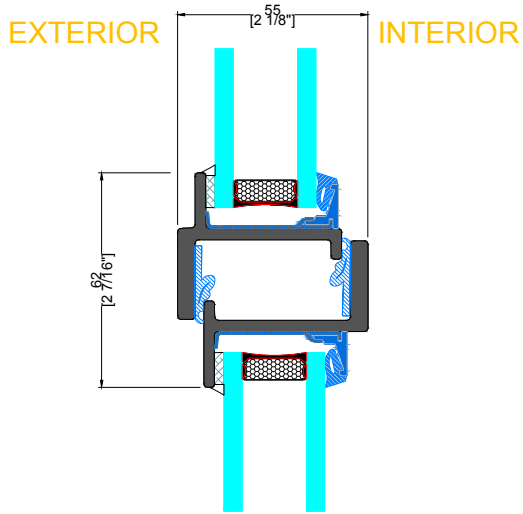


**H** TYPICAL VERTICAL MUNTIN

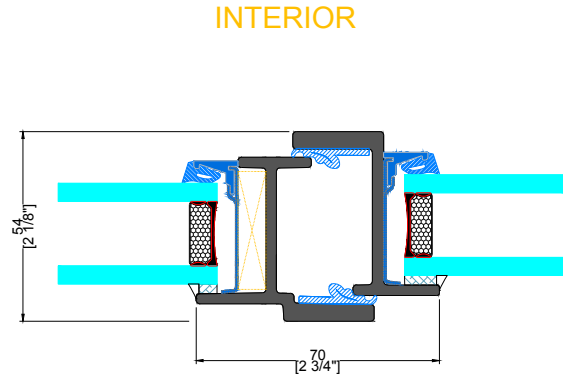


**J** TYPICAL HORIZONTAL MUNTIN

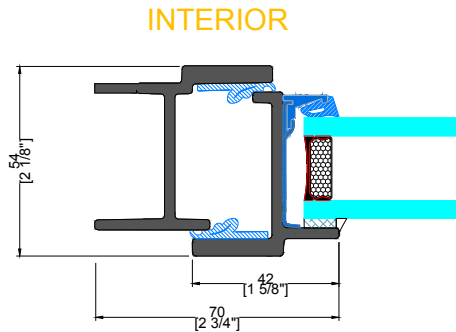
# INSWING CASEMENT



**P** TYPICAL HEAD W/ TRANSOM



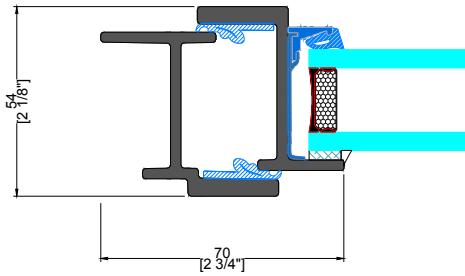
**R** TYPICAL JAMB W/ SIDELITE



**1** TYPICAL LONG LEG

# INSWING CASEMENT

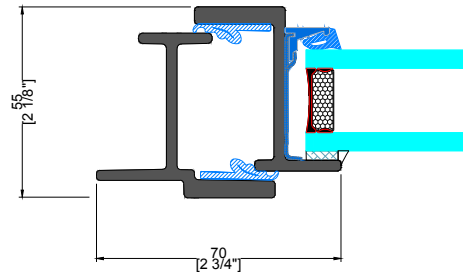
INTERIOR



EXTERIOR

**1** TYPICAL INTERIOR FLANGE

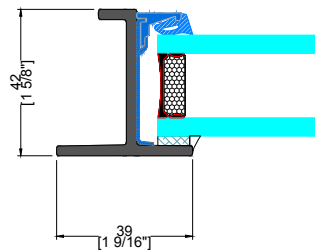
INTERIOR



EXTERIOR

**2** TYPICAL EXTERIOR FLANGE

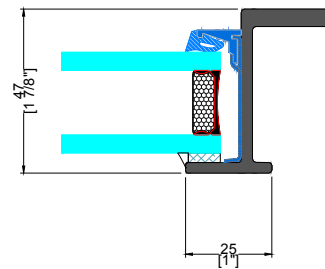
INTERIOR



EXTERIOR

**3** TYPICAL FIXED EXTERIOR FLANGE

INTERIOR



EXTERIOR

**4** TYPICAL FIXED INTERIOR FLANGE

## GLAZING BEADS

