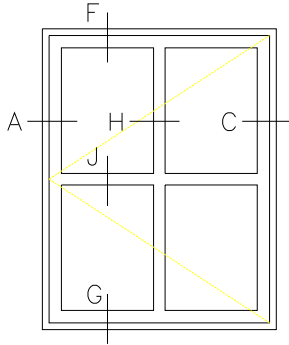
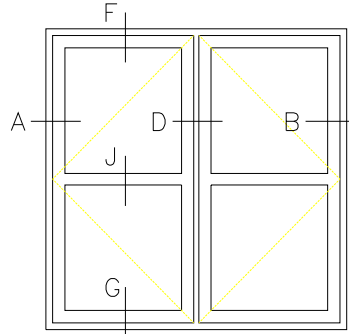


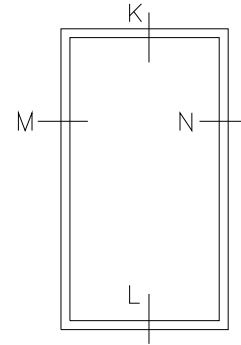
OUTSWING CASEMENT



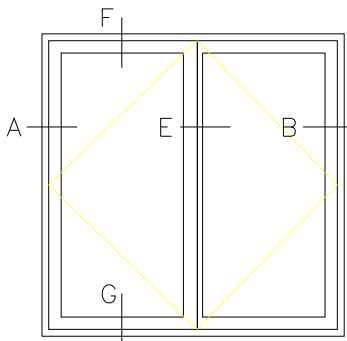
HR4722-OC



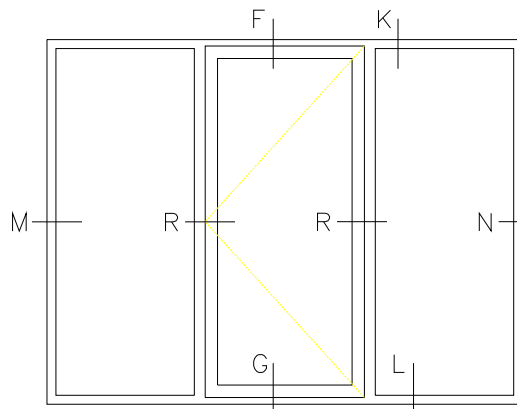
HR4722-DB-OC



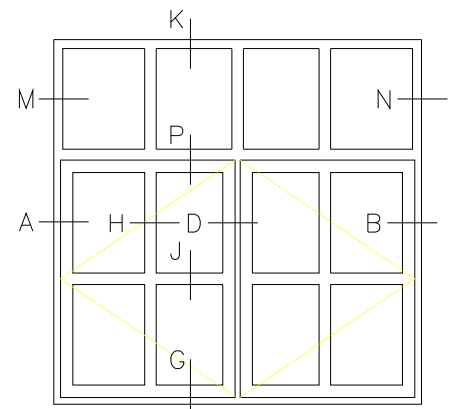
HR4711-FX



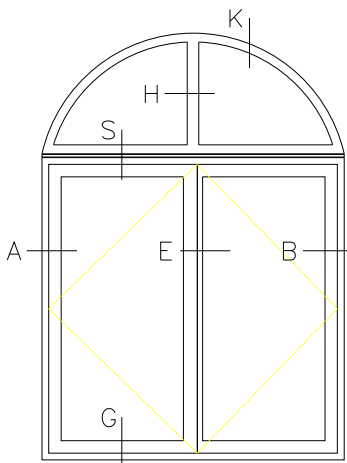
HR4721-FR-OC



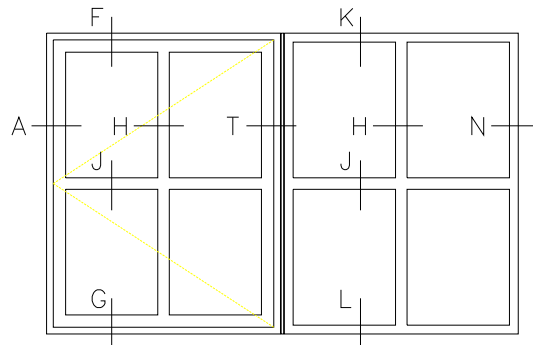
HR4731-OC-FX



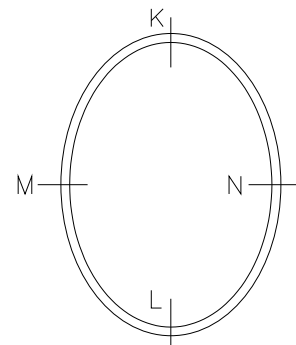
HR4743-OC-FX



HR4722-FR-OC-FX ARCH

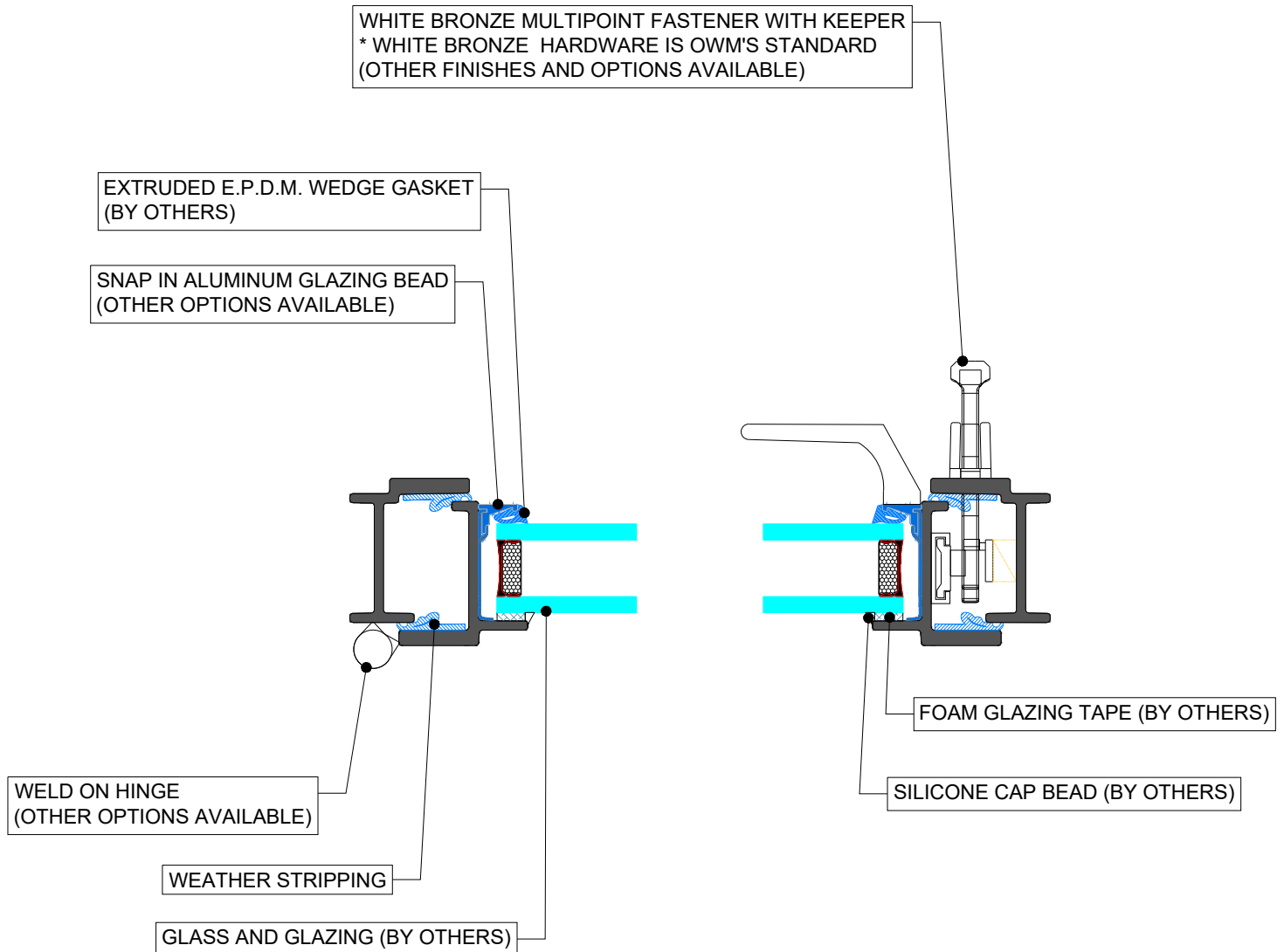


HR4742-OC-FX

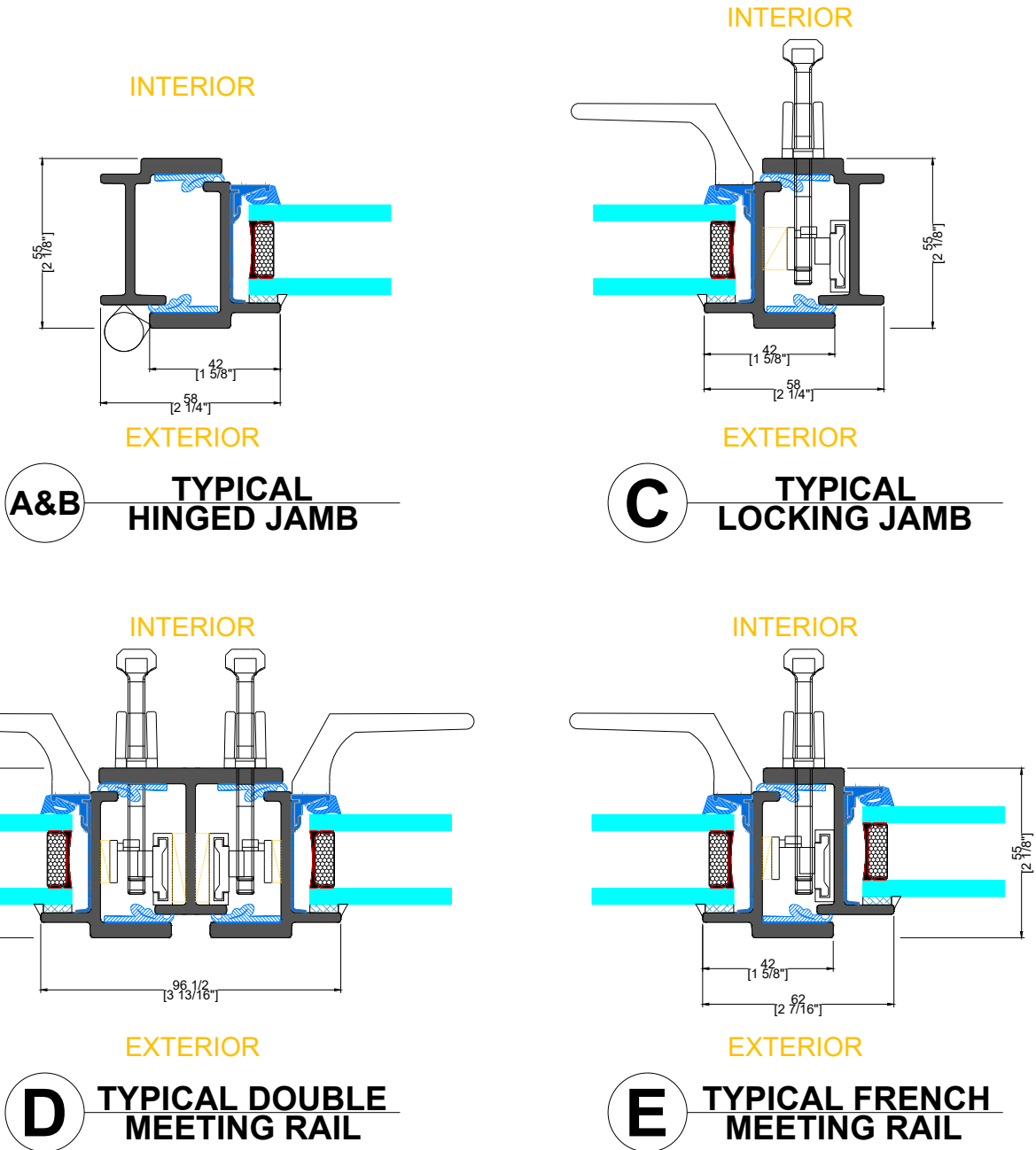


HR4711-FX OVAL

OUTSWING CASEMENT



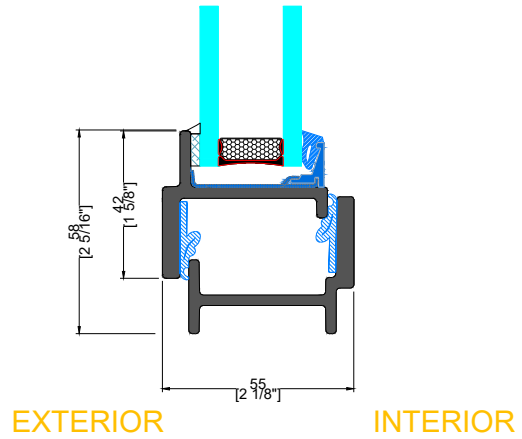
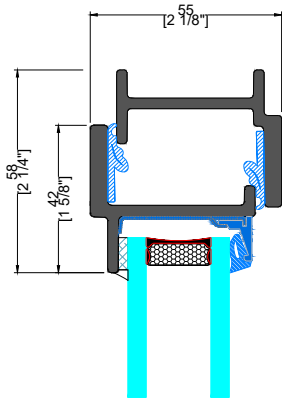
OUTSWING CASEMENT



OUTSWING CASEMENT

EXTERIOR

INTERIOR

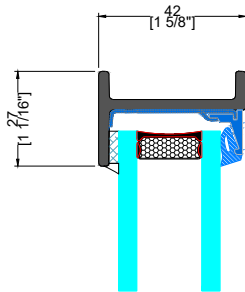


F TYPICAL HEAD

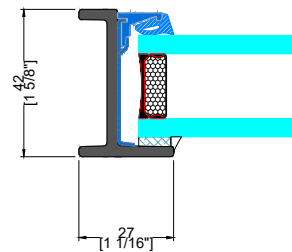
G TYPICAL SILL

EXTERIOR

INTERIOR



INTERIOR

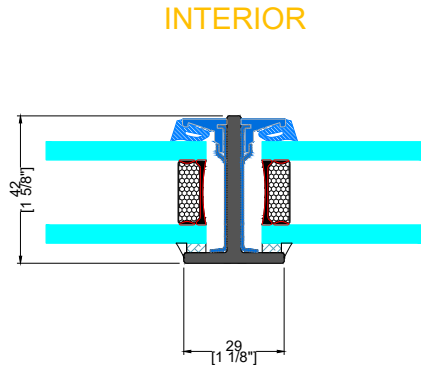


EXTERIOR

K&L TYPICAL FIXED HEAD & SILL

M&N TYPICAL FIXED JAMB

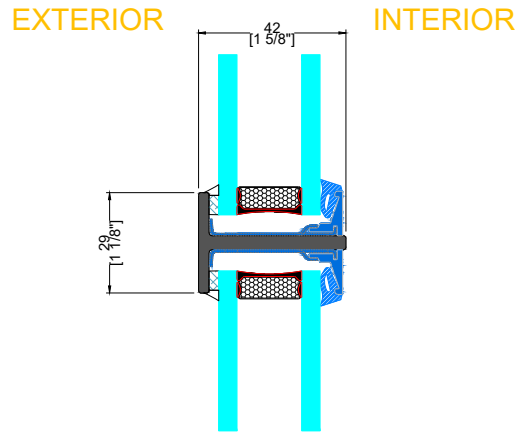
OUTSWING CASEMENT



INTERIOR

EXTERIOR

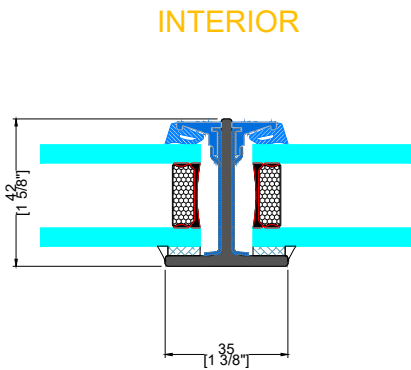
H SMALL VERTICAL MUNTIN



EXTERIOR

INTERIOR

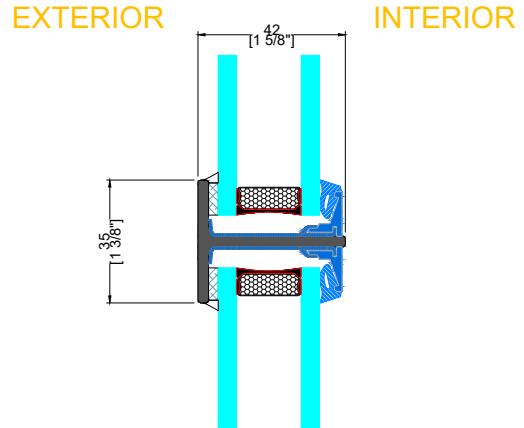
J SMALL HORIZONTAL MUNTIN



INTERIOR

EXTERIOR

H TYPICAL VERTICAL MUNTIN

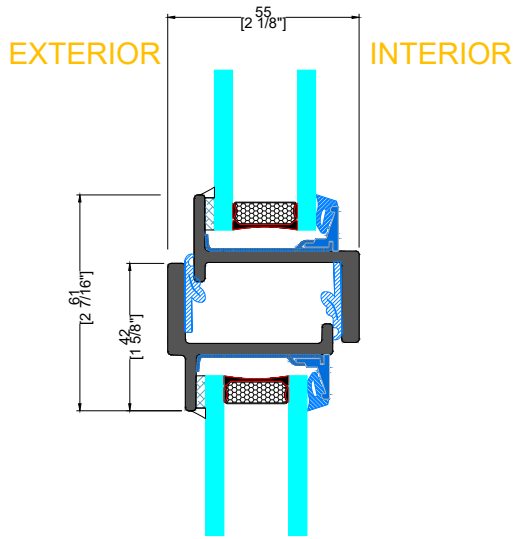


EXTERIOR

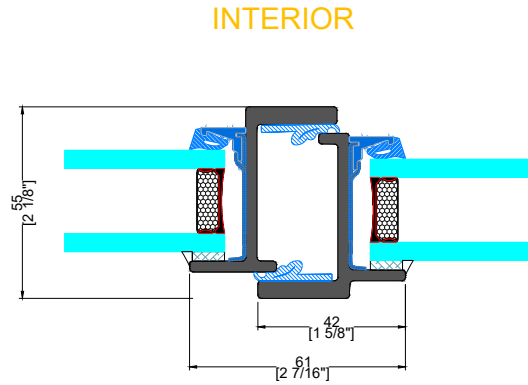
INTERIOR

J TYPICAL HORIZONTAL MUNTIN

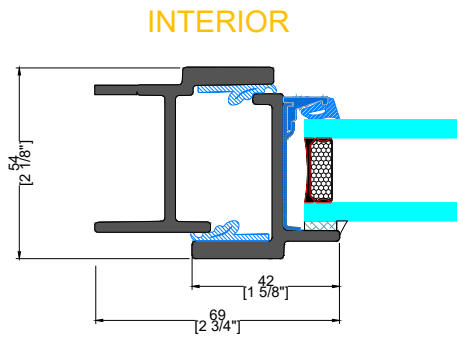
OUTSWING CASEMENT



P TYPICAL HEAD
W/ TRANSOM

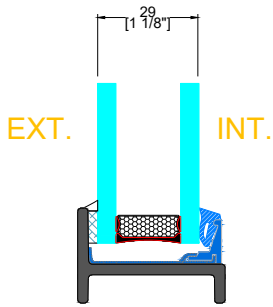


R TYPICAL JAMB
W/ SIDELITE

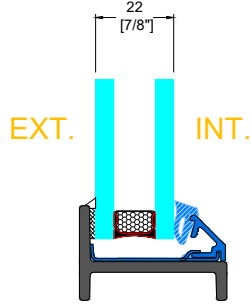


1 TYPICAL
LONG LEG

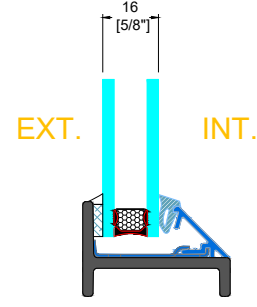
GLAZING BEADS



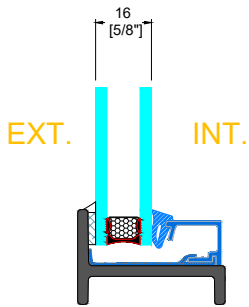
GB-05X
GLAZING BEAD



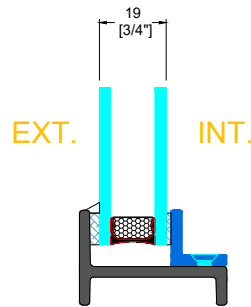
GB-04X
GLAZING BEAD



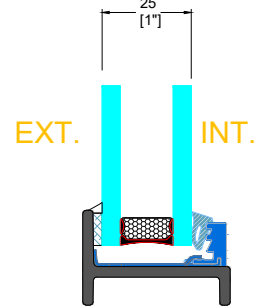
GB-15X
GLAZING BEAD



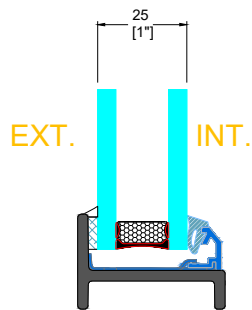
GB-06X
GLAZING BEAD



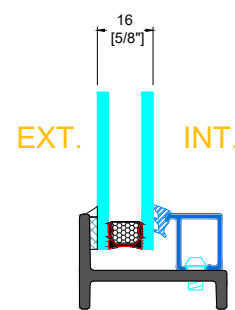
GB18
1/2" x 3/4"
STEEL GLAZING BEAD



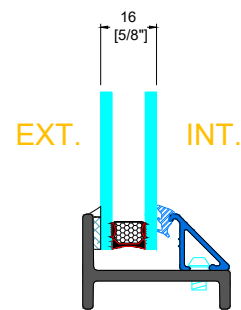
GB-13X ALUMINUM
GLAZING BEAD



GB-12X ALUMINUM
GLAZING BEAD



GB-31
GLAZING BEAD



GB-35
GLAZING BEAD