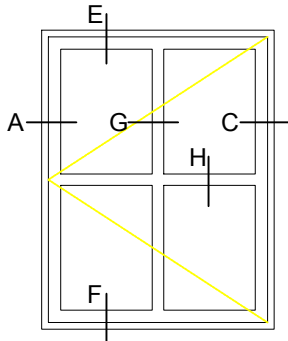
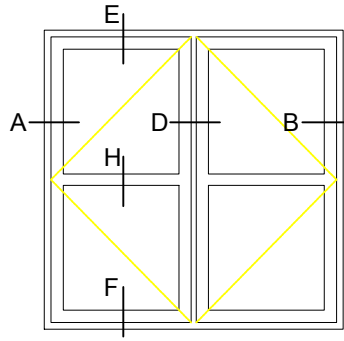


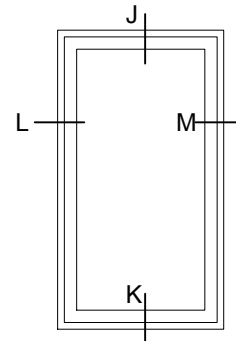
OUTSWING CASEMENT



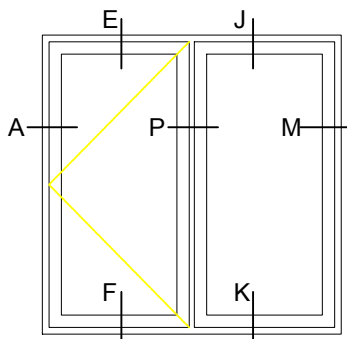
HR4722P-OC



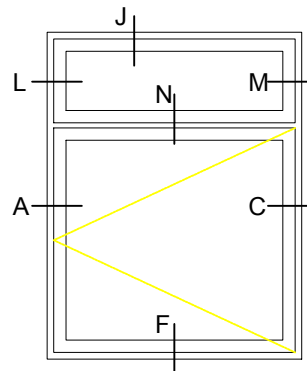
HR4722P-DB-OC



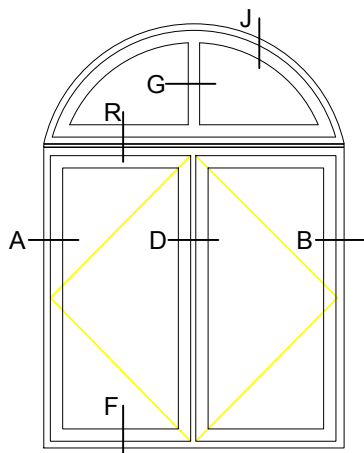
HR4711P-FX



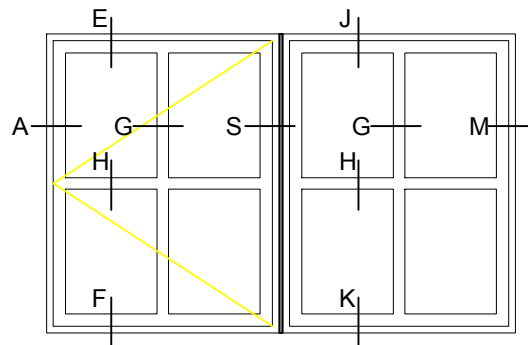
HR4721P-OC-FX



HR4712P-OC-FX

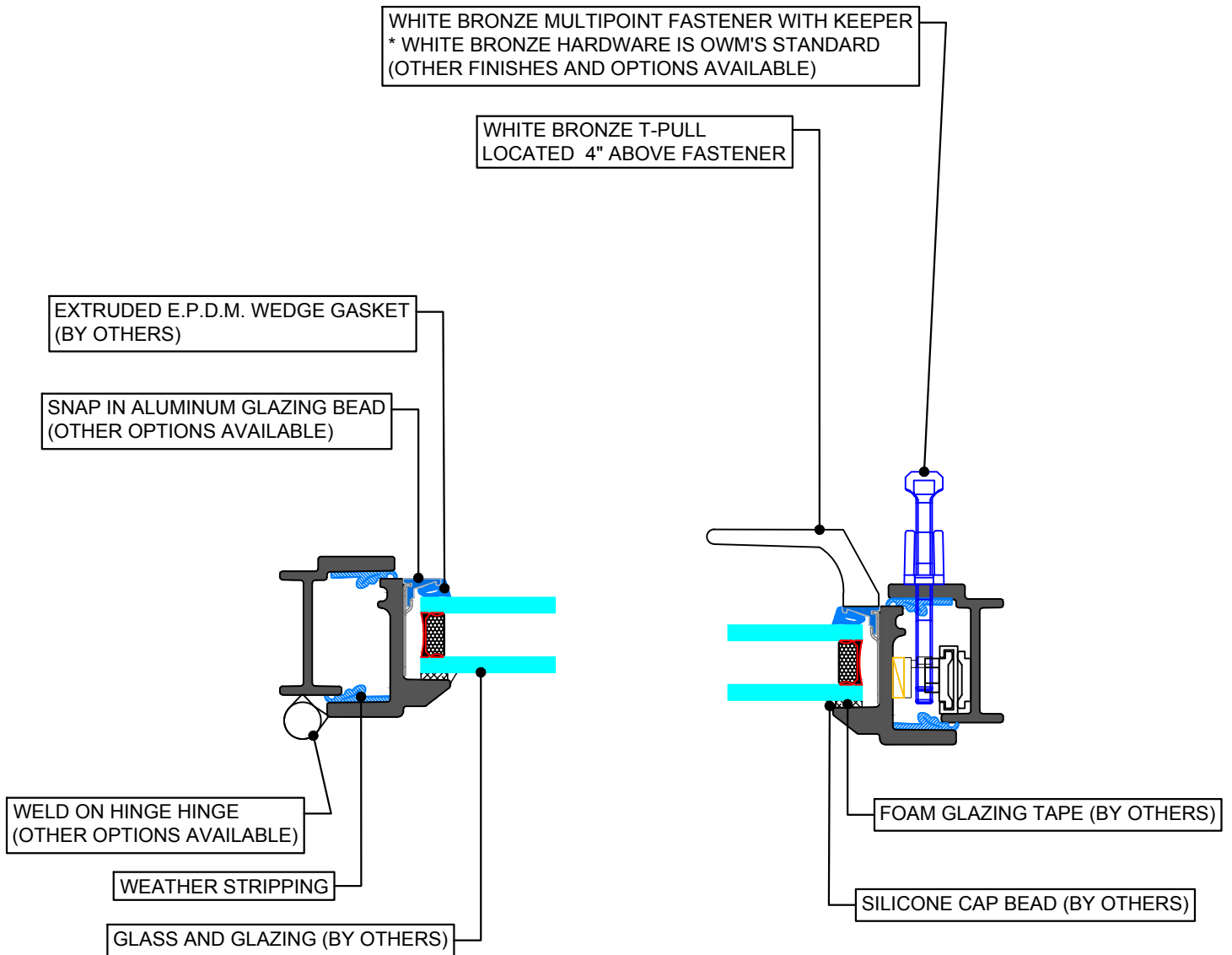


HR4722P-DB-OC-FX ARCH

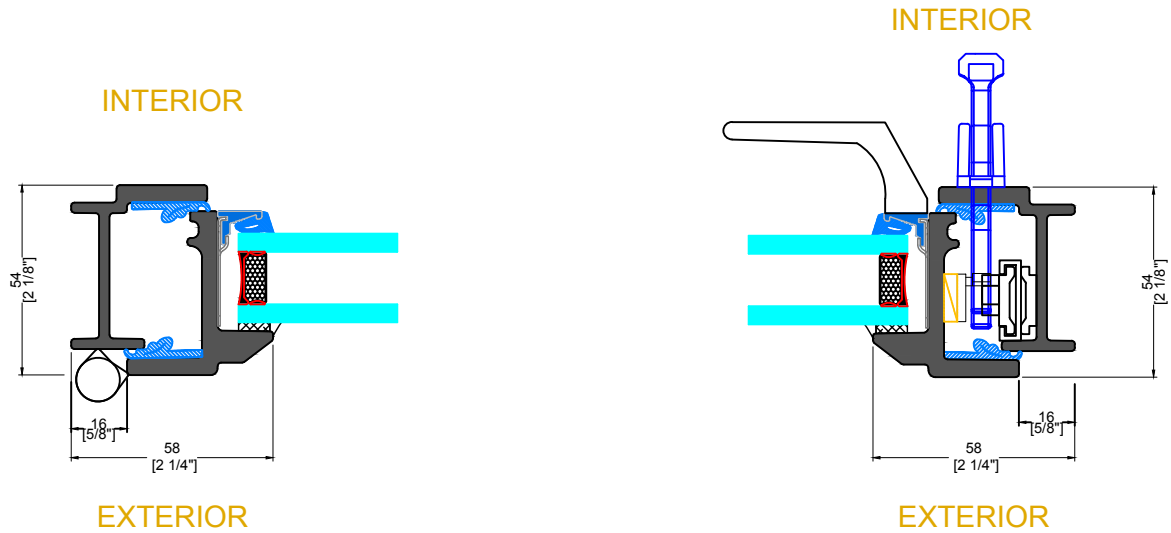


HR4742P-OC-FX

OUTSWING CASEMENT

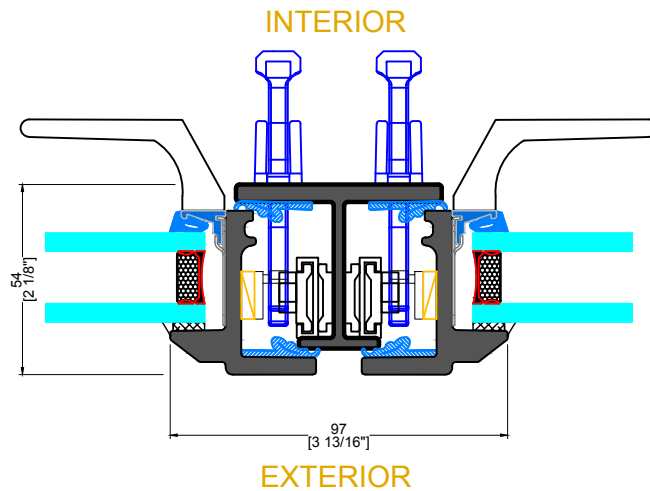


OUTSWING CASEMENT



A&B TYPICAL HINGED JAMB

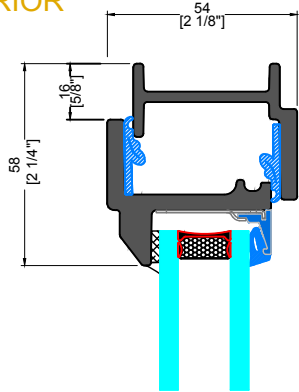
C TYPICAL LOCKING JAMB



D TYPICAL MEETING RAIL

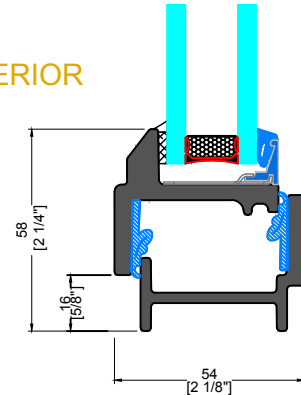
OUTSWING CASEMENT

EXTERIOR INTERIOR



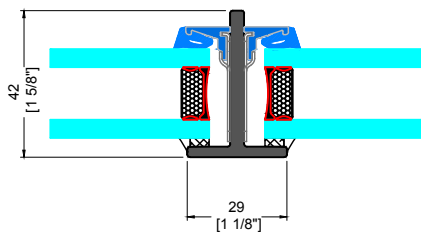
E TYPICAL HEAD

EXTERIOR INTERIOR



F TYPICAL SILL

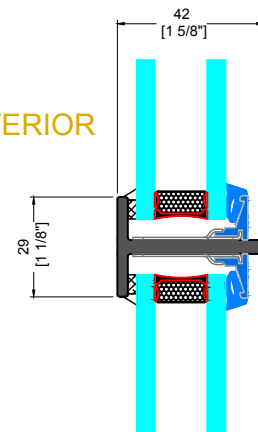
INTERIOR



EXTERIOR

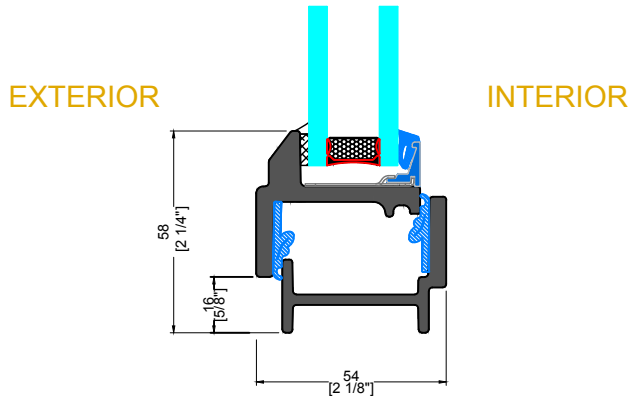
G TYPICAL SMALL VERTICAL MUNTIN

EXTERIOR INTERIOR

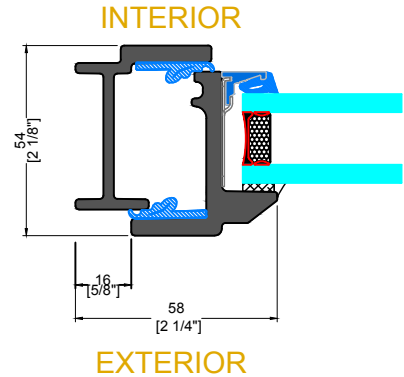


H TYPICAL SMALL HORIZONTAL MUNTIN

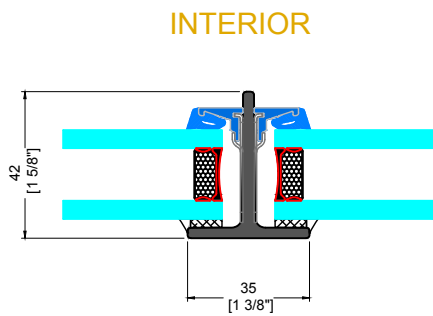
OUTSWING CASEMENT



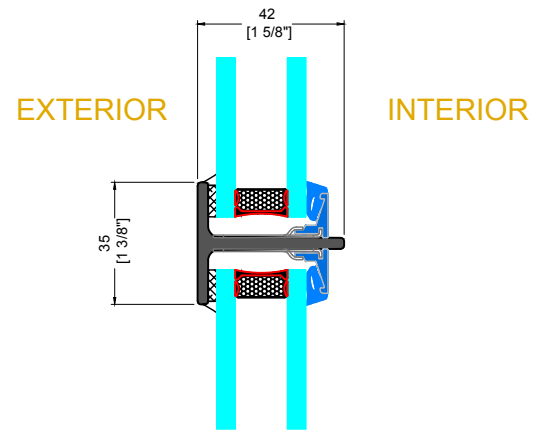
J&K TYPICAL FIXED HEAD & SILL



L&M TYPICAL FIXED JAMB

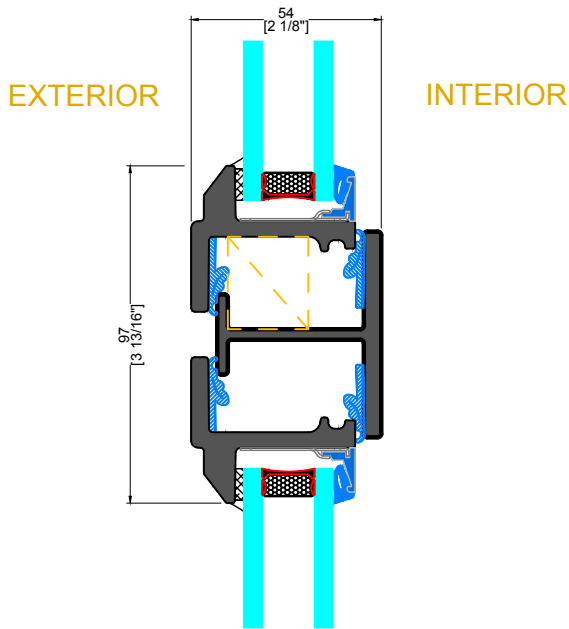


G TYPICAL LARGE VERTICAL MUNTIN

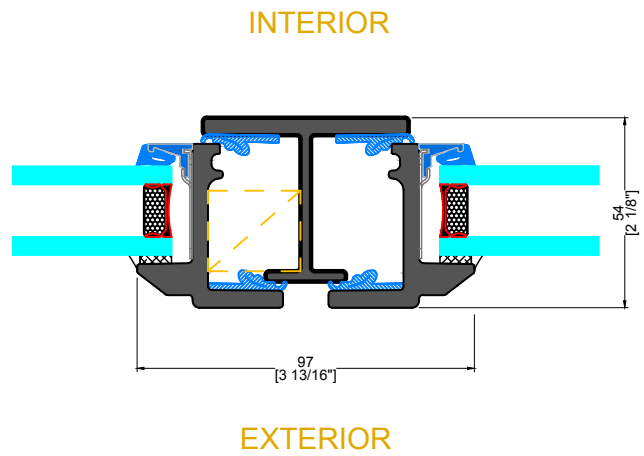


H TYPICAL LARGE HORIZONTAL MUNTIN

OUTSWING CASEMENT

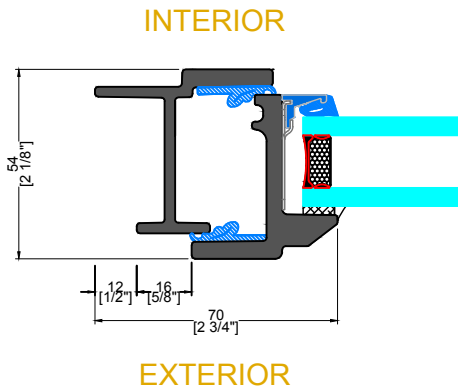


G TYPICAL HEAD
W/ TRANSOM

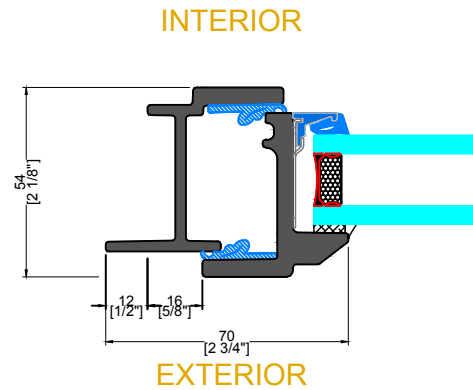


H TYPICAL JAMB
W/ SIDELITE

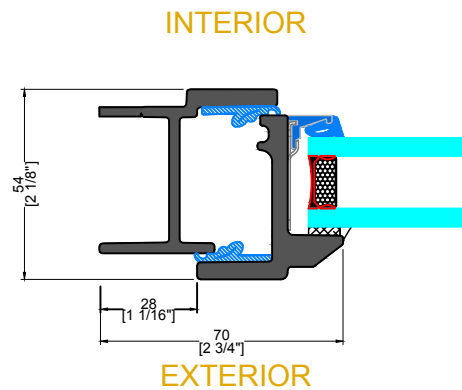
OUTSWING CASEMENT



1 TYPICAL JAMB
INTERIOR FLANGE

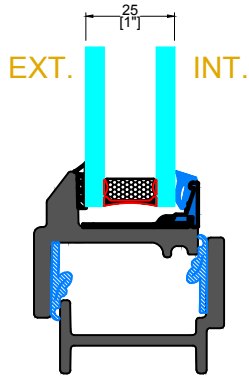


2 TYPICAL JAMB
EXTERIOR FLANGE

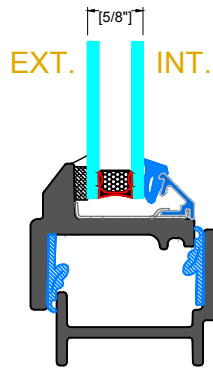


3 TYPICAL JAMB
LONG LEG

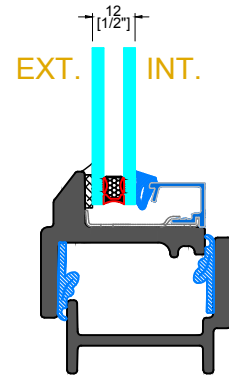
GLAZING BEADS



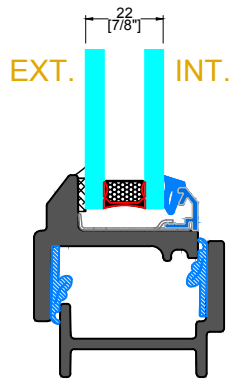
GB-05X
GLAZING BEAD



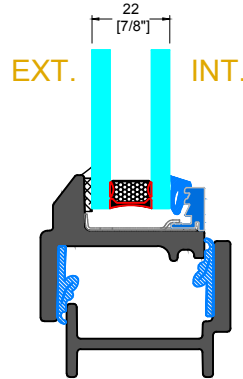
GB-04X
GLAZING BEAD



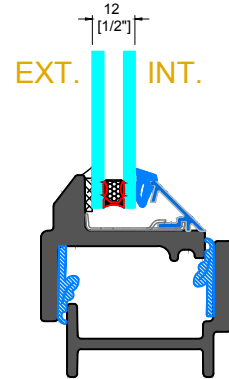
GB-06X
GLAZING BEAD



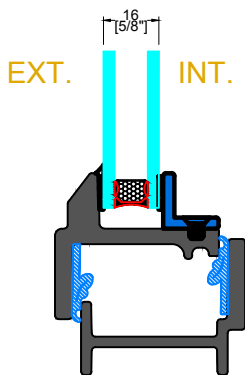
GB-12X
GLAZING BEAD



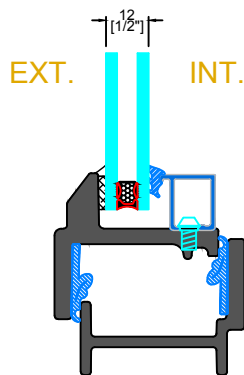
GB-13X
GLAZING BEAD



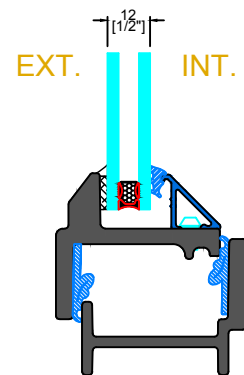
GB-15X
GLAZING BEAD



GB-18
GLAZING BEAD



GB-31
GLAZING BEAD



GB-35
GLAZING BEAD