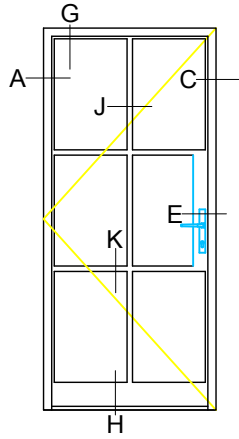
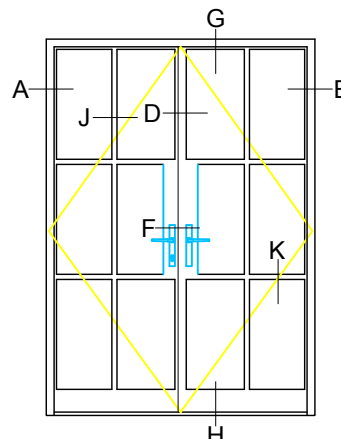


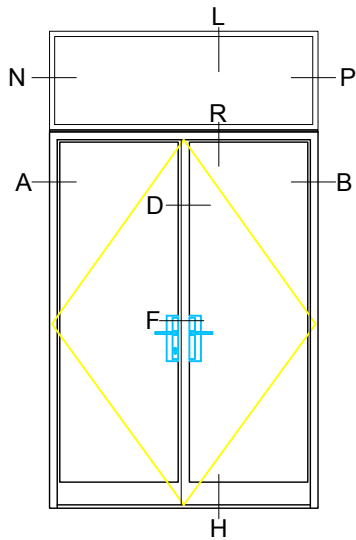
# IN SWING DOOR



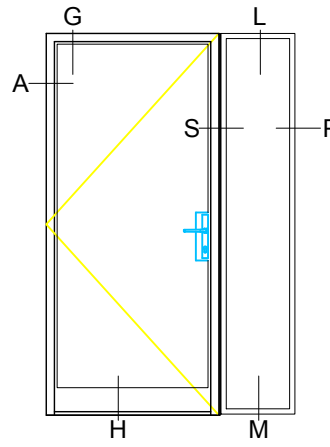
RTS4323-ID



RTS4343-FR-ID

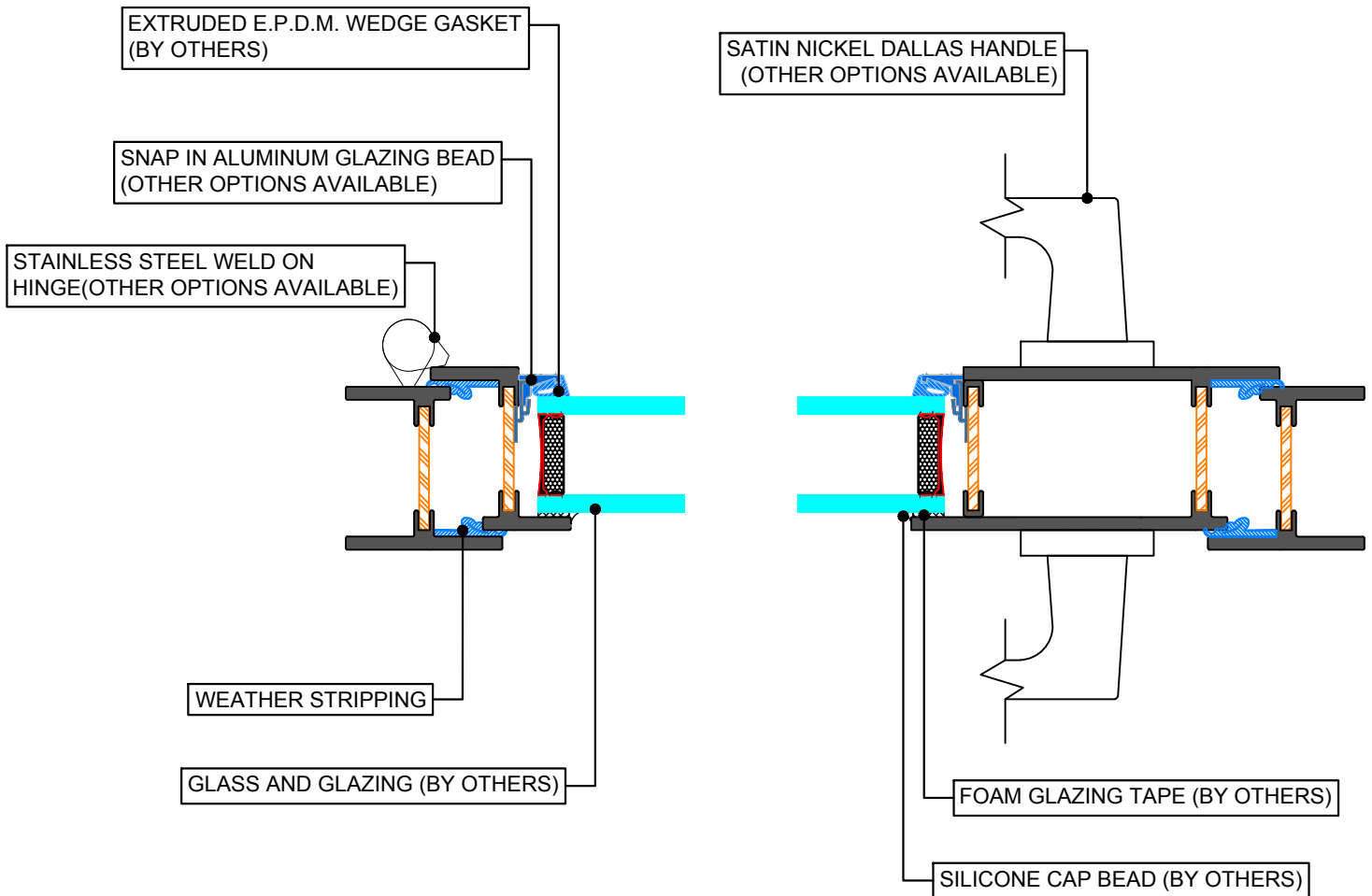


RTS4322-FR-ID-FX



RTS4321-ID-FX

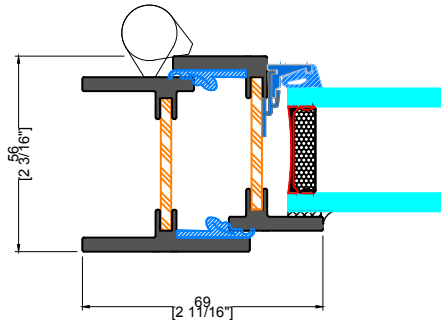
# INSWING DOOR





INSWING DOOR

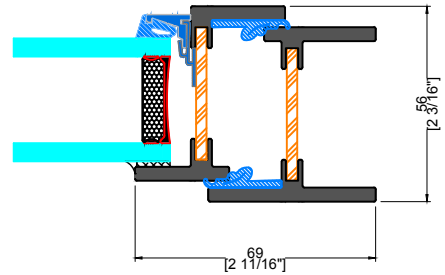
INTERIOR



EXTERIOR

**A&B** TYPICAL HINGED JAMB

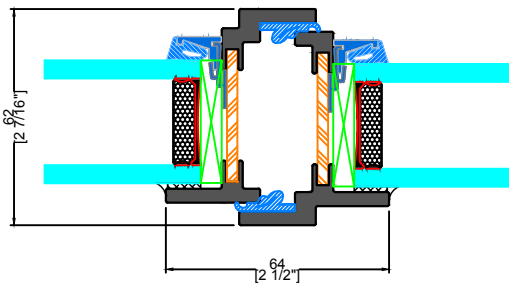
INTERIOR



EXTERIOR

**C** TYPICAL LOCKING JAMB

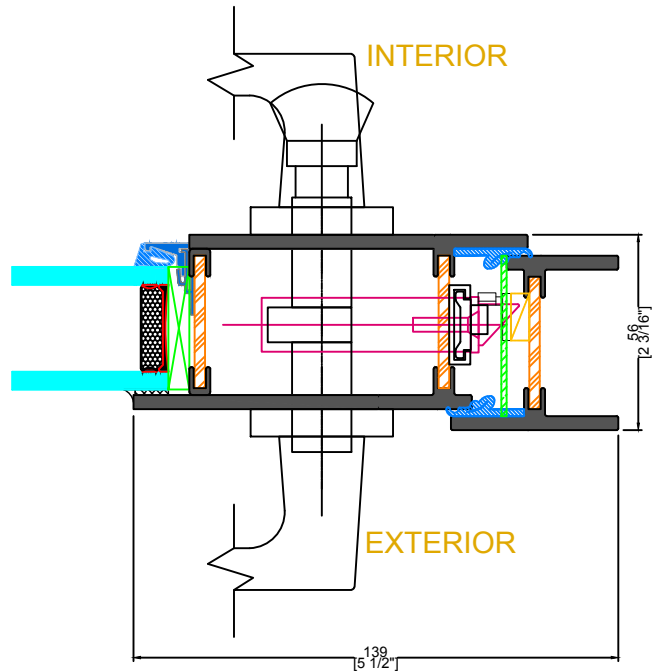
INTERIOR



EXTERIOR

**D** TYPICAL FRENCH MEETING RAIL

INTERIOR

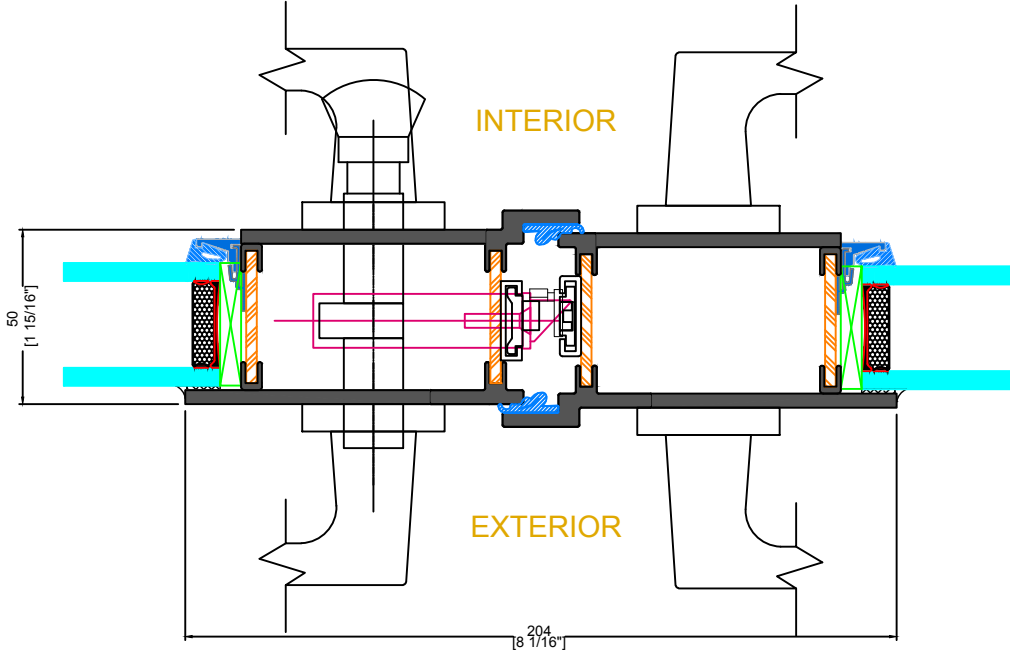


EXTERIOR

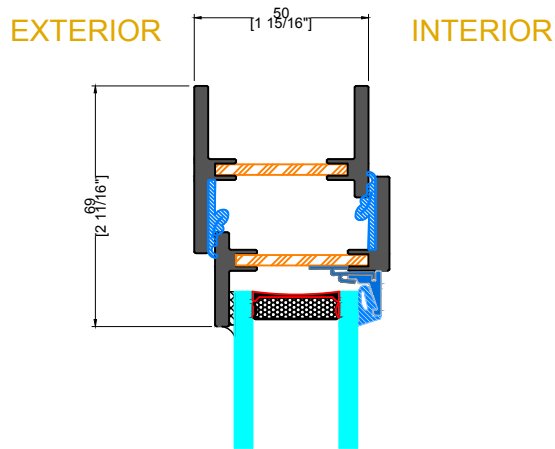
**E** TYPICAL SINGLE LOCKBOX



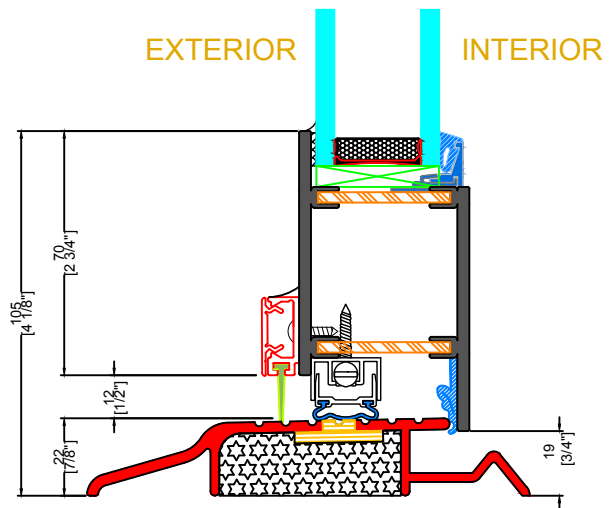
INSWING DOOR



**F** TYPICAL FRENCH LOCKBOX

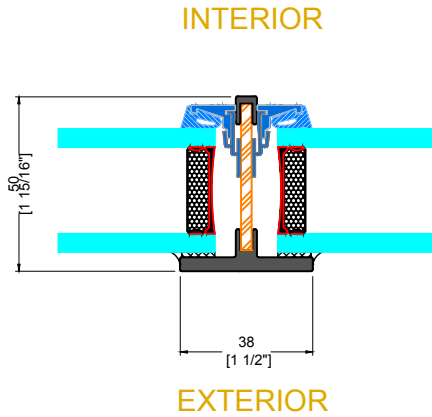


**G** TYPICAL HEAD

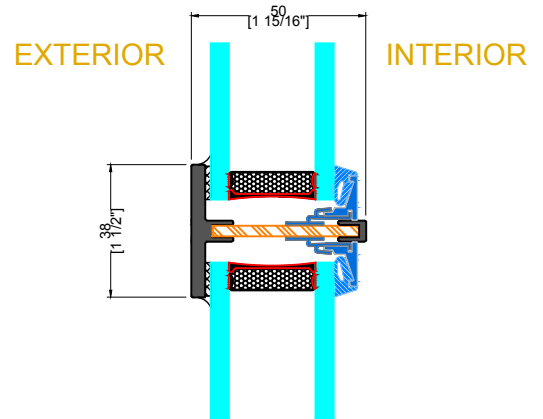


**H** TYPICAL KICKPLATE

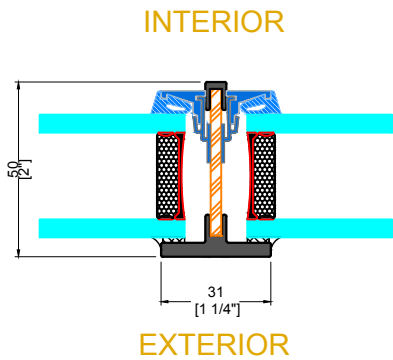
## IN SWING DOOR



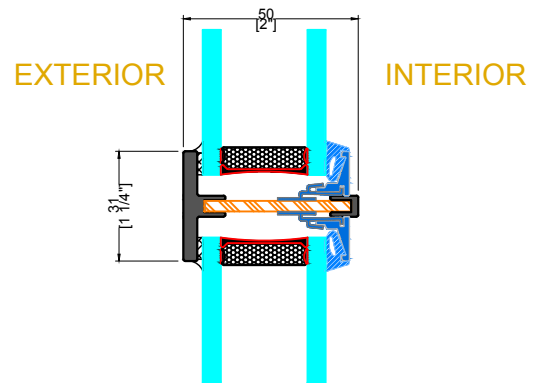
**J** TYPICAL VERTICAL MUNTIN



**K** TYPICAL HORIZONTAL MUNTIN

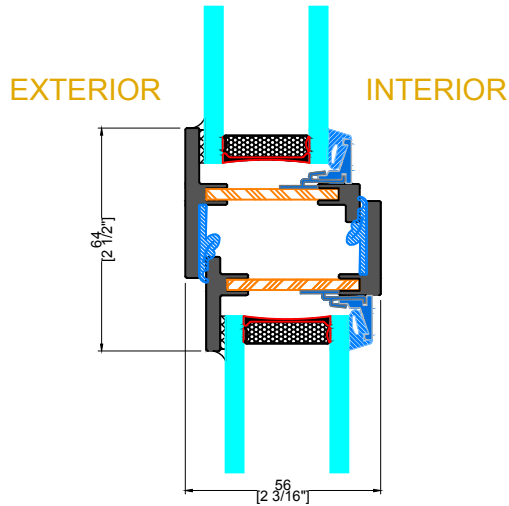


**J** TYPICAL VERTICAL MUNTIN

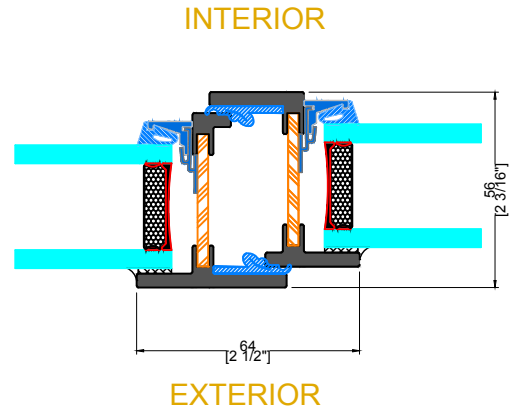


**K** TYPICAL HORIZONTAL MUNTIN

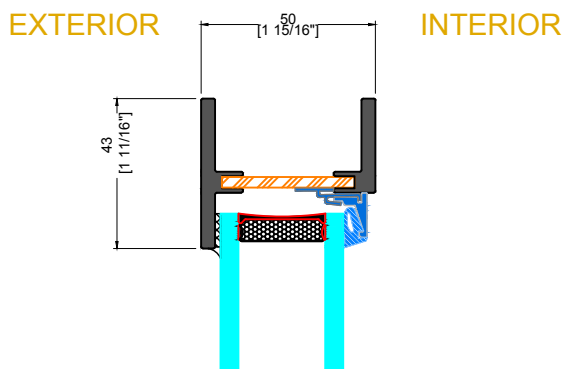
INSWING DOOR



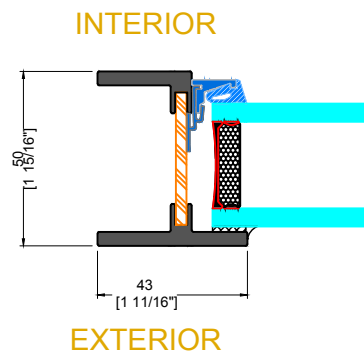
**R** TYPICAL HEAD  
W/ TRANSOM



**S** TYPICAL JAMB  
W/ SIDELITE

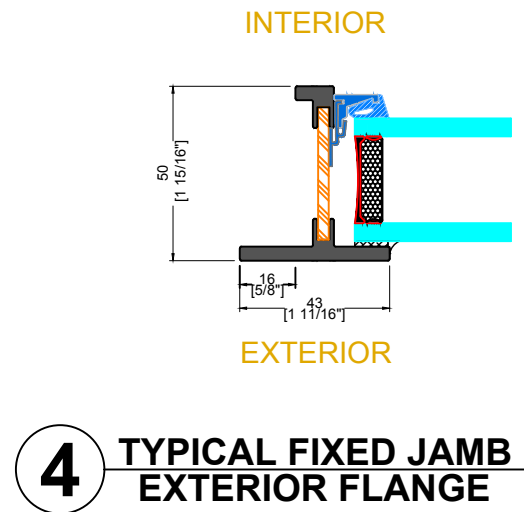
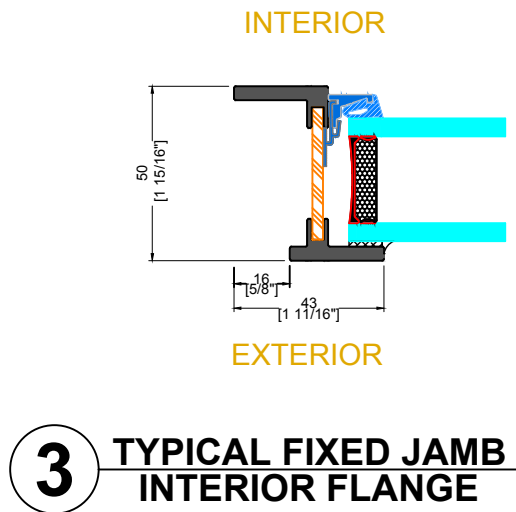
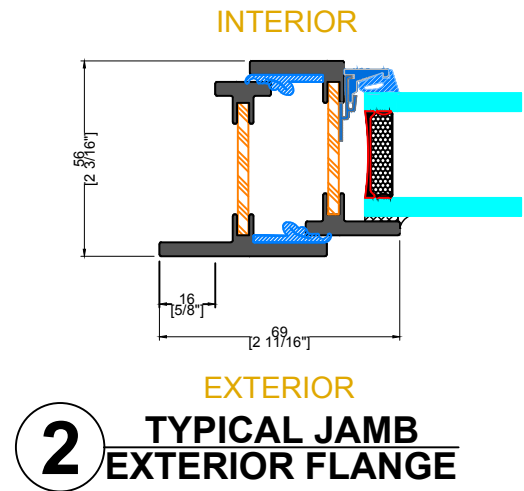
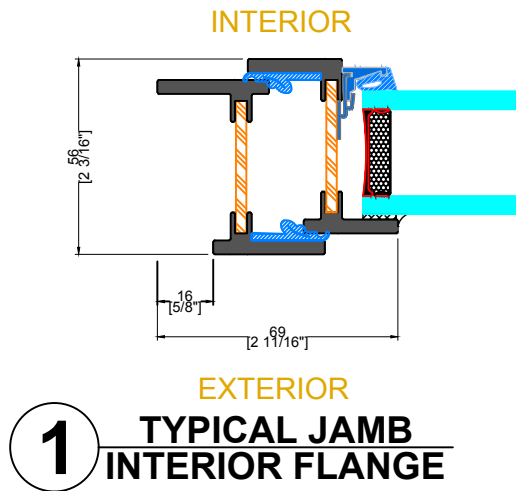


**L&M** TYPICAL FIXED  
HEAD & SILL

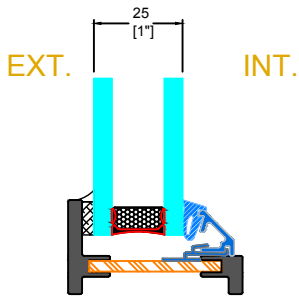


**N&P** TYPICAL FIXED  
JAMB

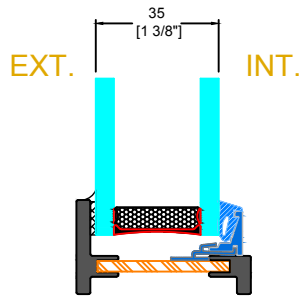
## INSWING DOOR



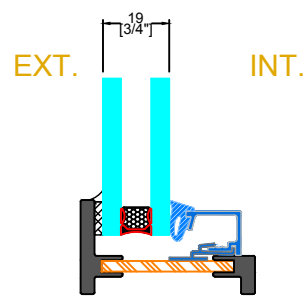
## INSWING DOOR



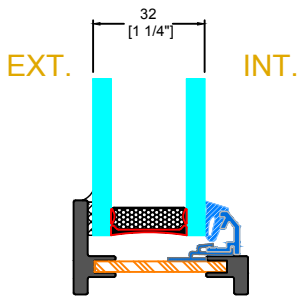
GB-04  
GLAZING BEAD



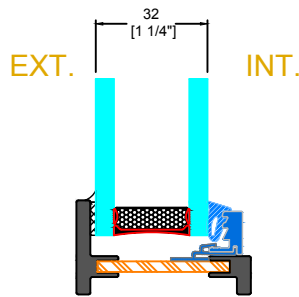
GB-05  
GLAZING BEAD



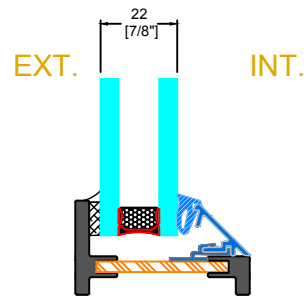
GB-06  
GLAZING BEAD



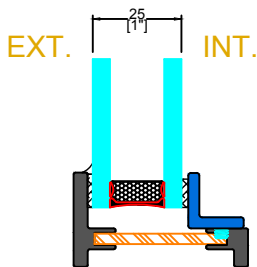
GB-12  
GLAZING BEAD



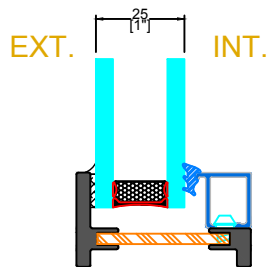
GB-13  
GLAZING BEAD



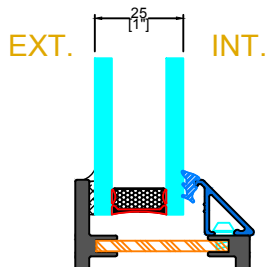
GB-15  
GLAZING BEAD



GB-18X  
GLAZING BEAD



GB-31  
GLAZING BEAD



GB-35  
GLAZING BEAD