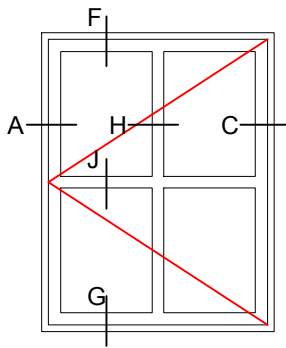
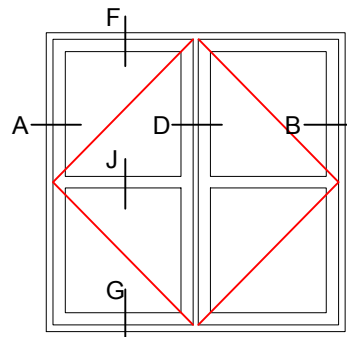


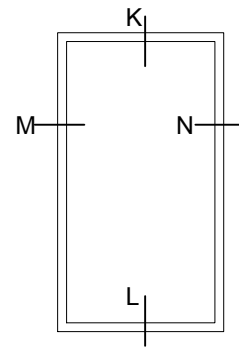
OUTSWING CASEMENT



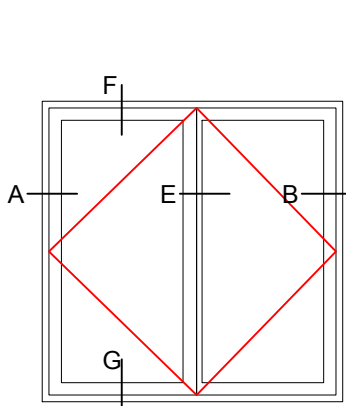
RTS4322-OC



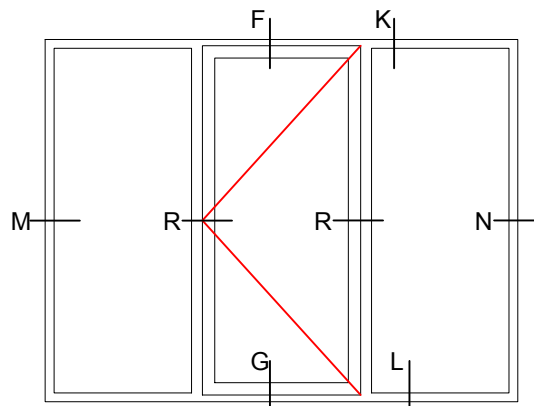
RTS4322-DB-OC



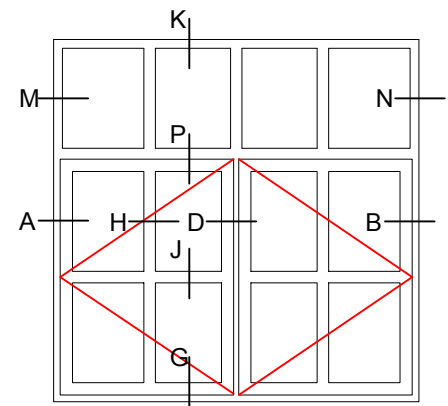
RTS4311-FX



RTS4321-FR-OC

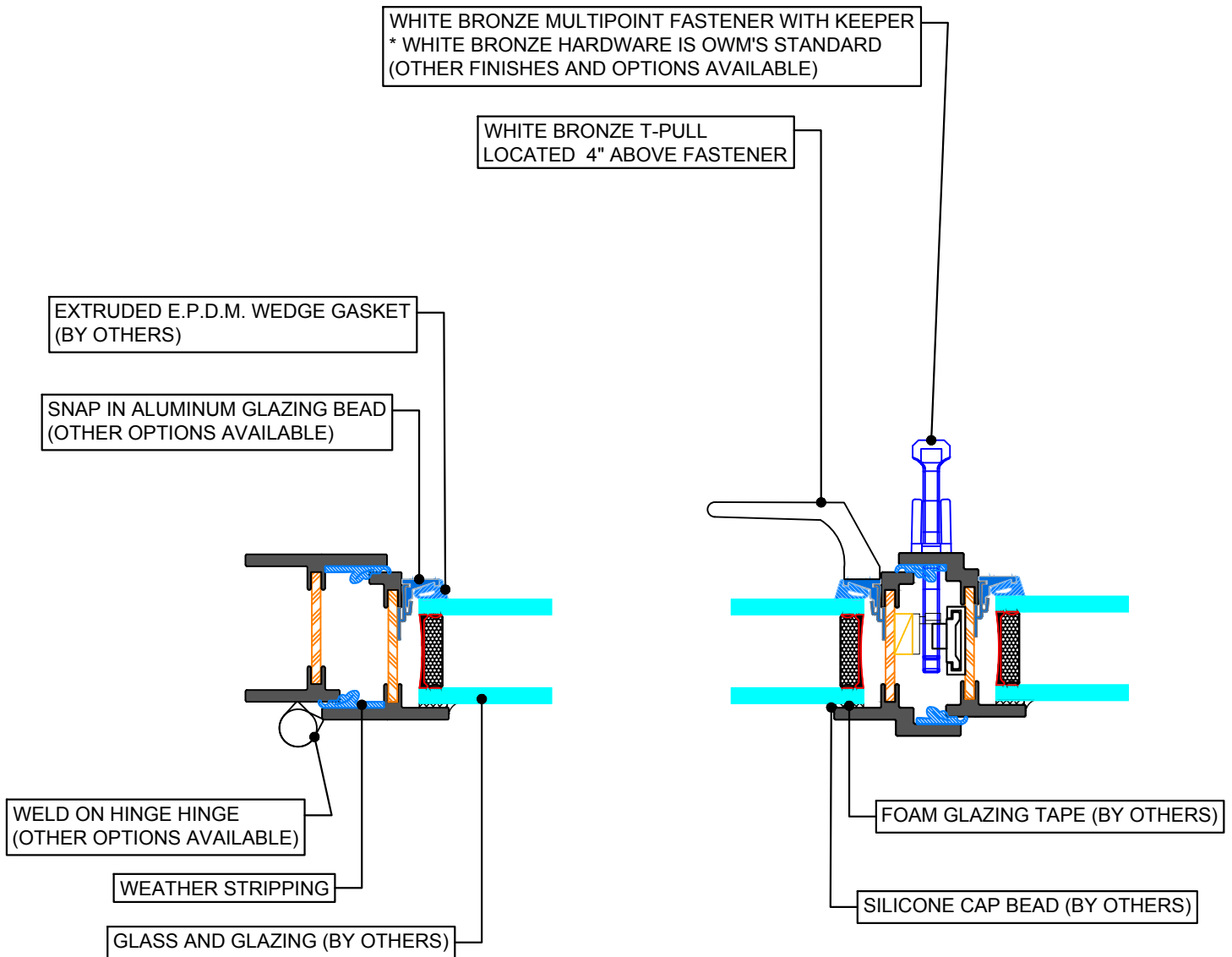


RTS4331-OC-FX

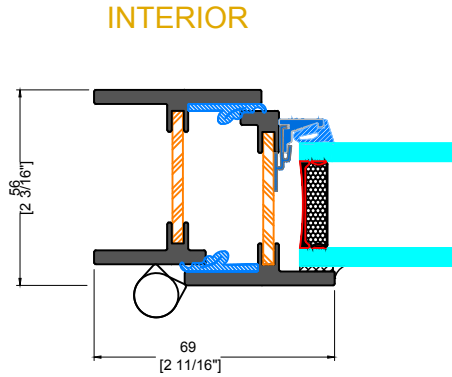


RTS4343-OC-FX

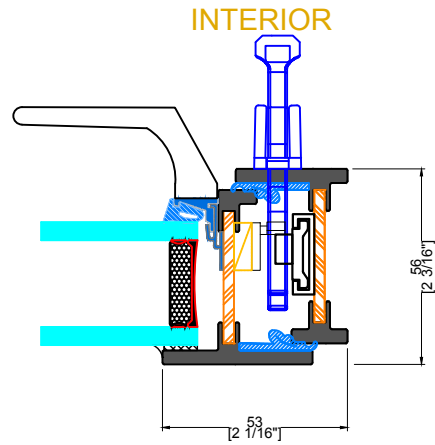
OUTSWING CASEMENT



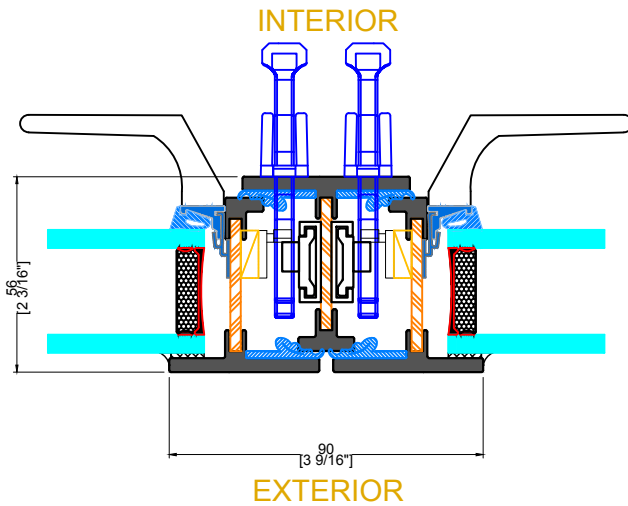
OUTSWING CASEMENT



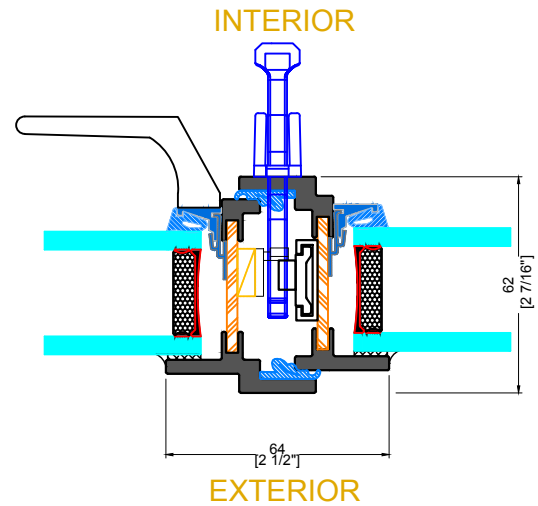
A&B TYPICAL HINGED JAMB



C TYPICAL LOCKING JAMB

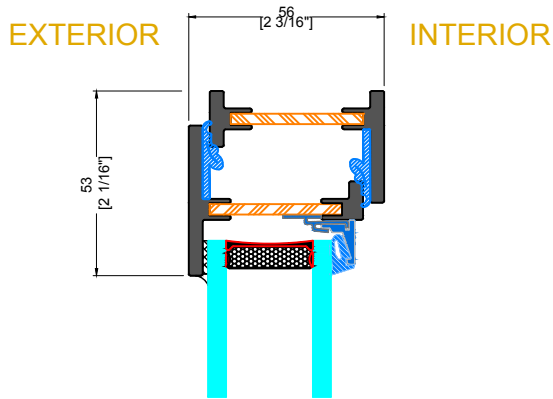


D TYPICAL DOUBLE MEETING RAIL

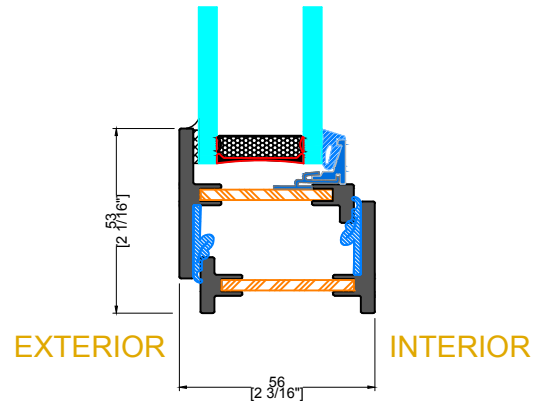


E TYPICAL FRENCH MEETING RAIL

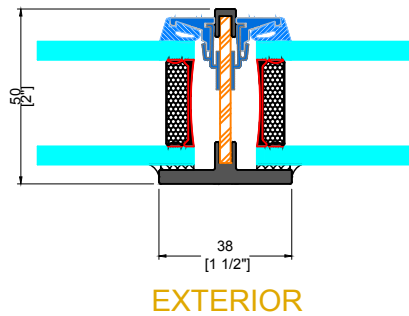
OUTSWING CASEMENT



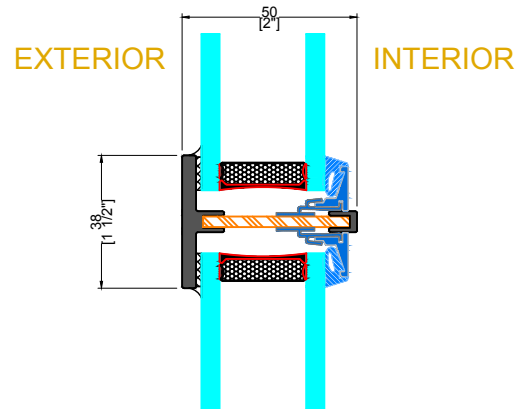
F TYPICAL HEAD



G TYPICAL SILL

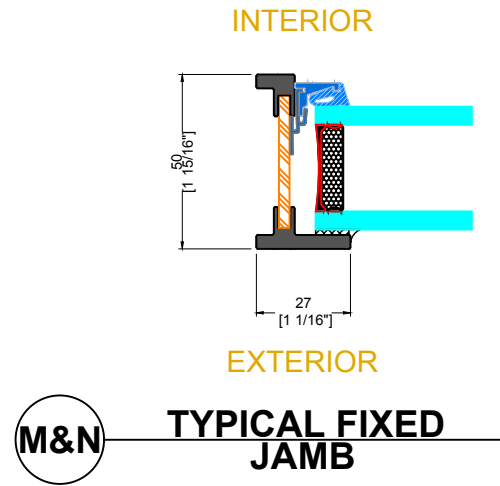
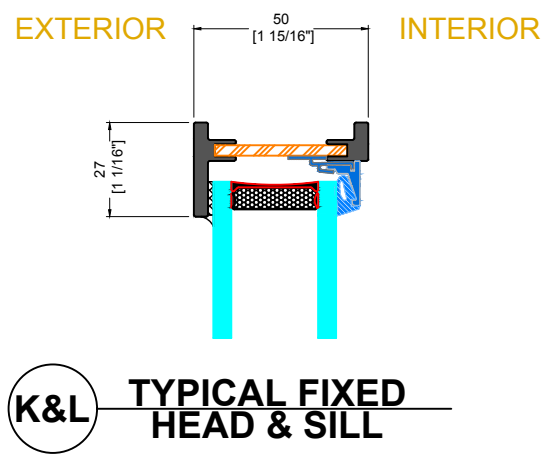
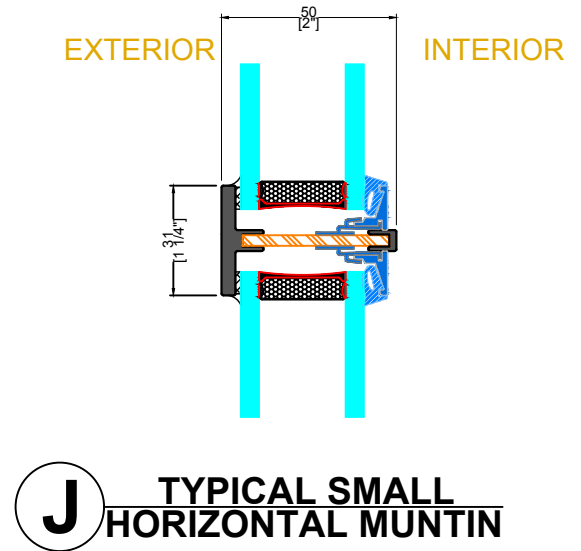
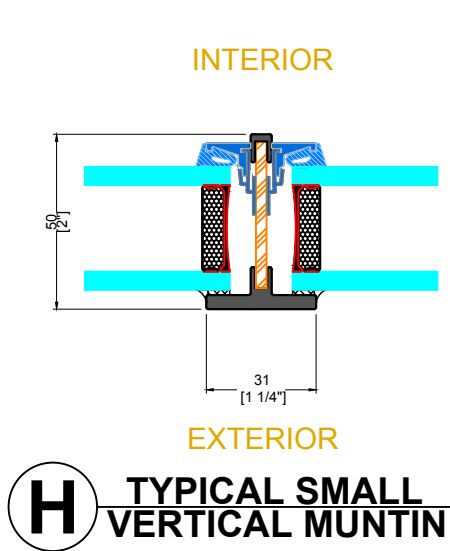


H TYPICAL VERTICAL MUNTIN

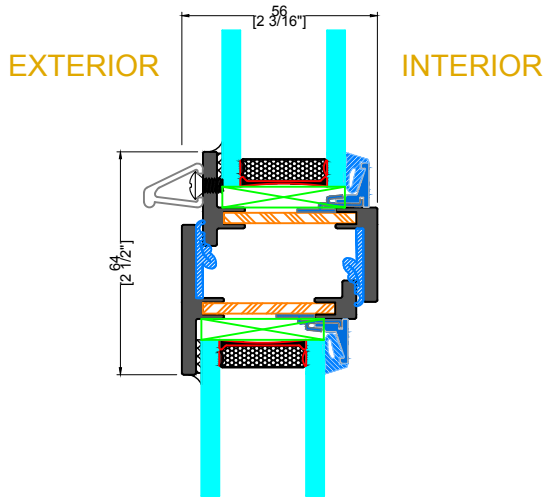


J TYPICAL HORIZONTAL MUNTIN

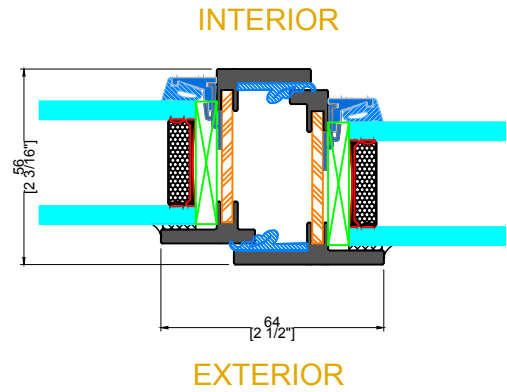
OUTSWING CASEMENT



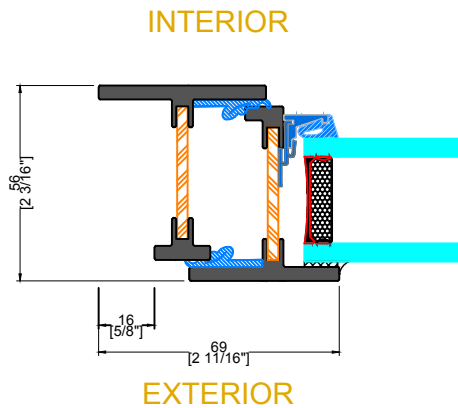
OUTSWING CASEMENT



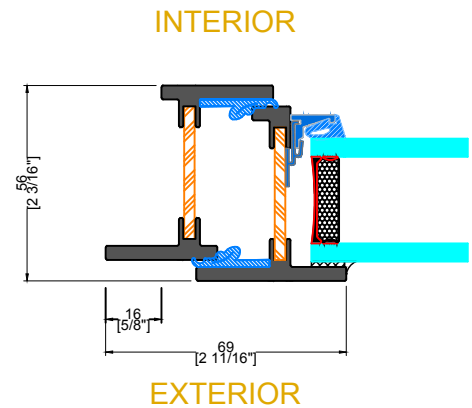
P TYPICAL HEAD W/ TRANSOM



R TYPICAL JAMB W/ SIDELITE



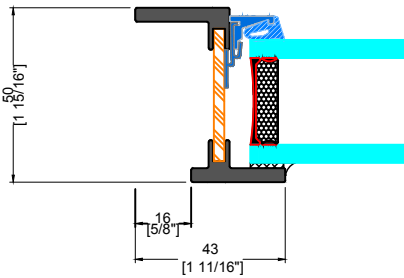
1 TYPICAL INTERIOR FLANGE



2 TYPICAL EXTERIOR FLANGE

OUTSWING CASEMENT

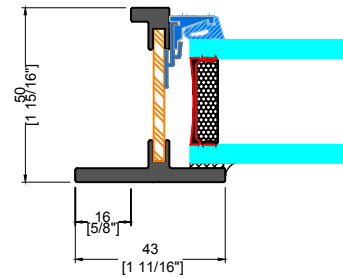
INTERIOR



EXTERIOR

1 TYPICAL INTERIOR FLANGE

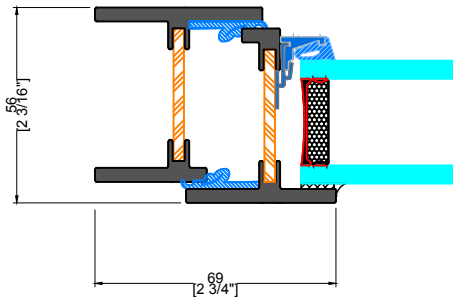
INTERIOR



EXTERIOR

2 TYPICAL EXTERIOR FLANGE

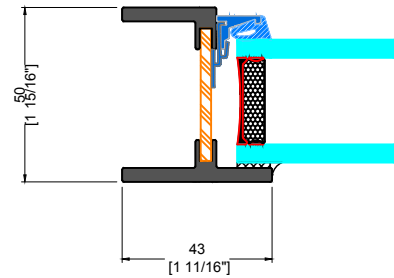
INTERIOR



EXTERIOR

1 TYPICAL JAMB LARGE OPERABLE FRAME

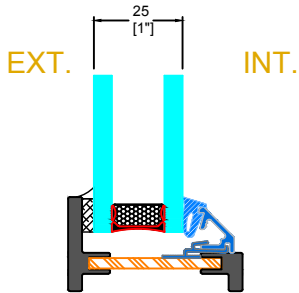
INTERIOR



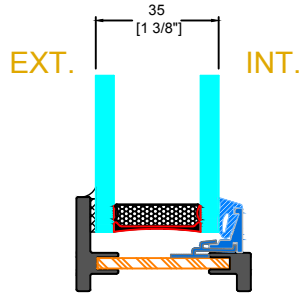
EXTERIOR

2 TYPICAL JAMB LARGE FIXED FRAME

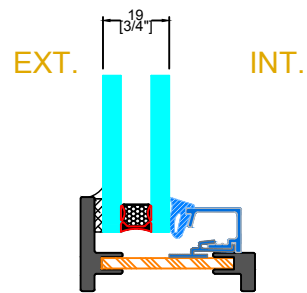
OUTSWING CASEMENT



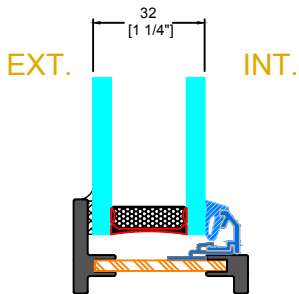
GB-04
GLAZING BEAD



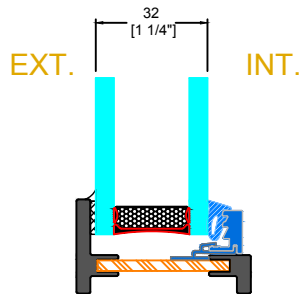
GB-05
GLAZING BEAD



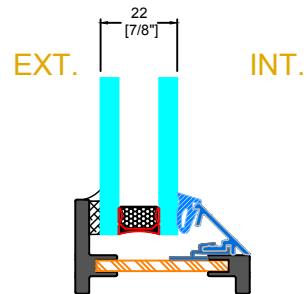
GB-06
GLAZING BEAD



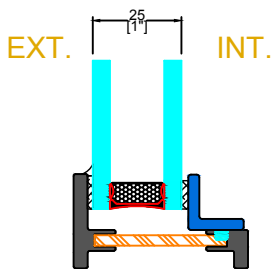
GB-12
GLAZING BEAD



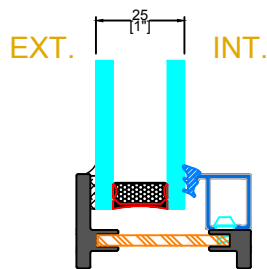
GB-13
GLAZING BEAD



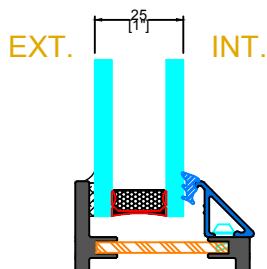
GB-15
GLAZING BEAD



GB-18X
GLAZING BEAD



GB-31
GLAZING BEAD



GB-35
GLAZING BEAD