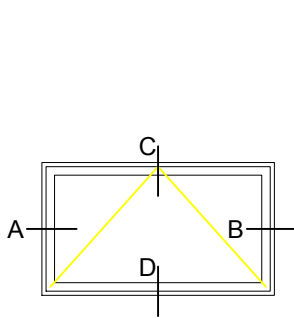
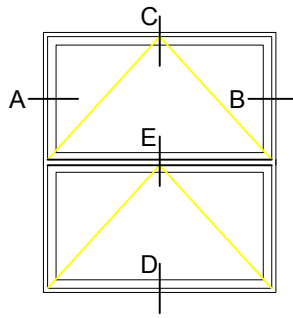


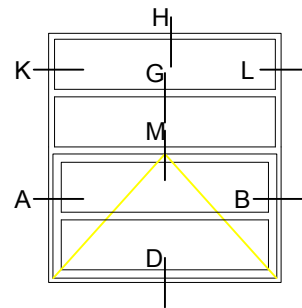
PROJECT-OUT WINDOW



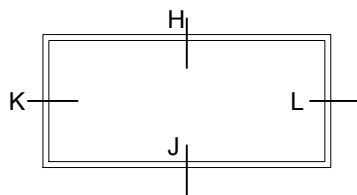
RTS4311-PO



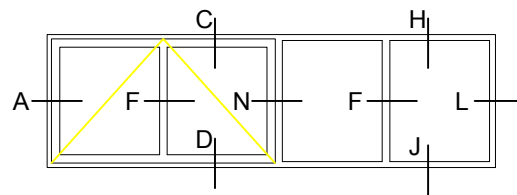
RTS4312-PO-PO



RTS4314-PO-FX

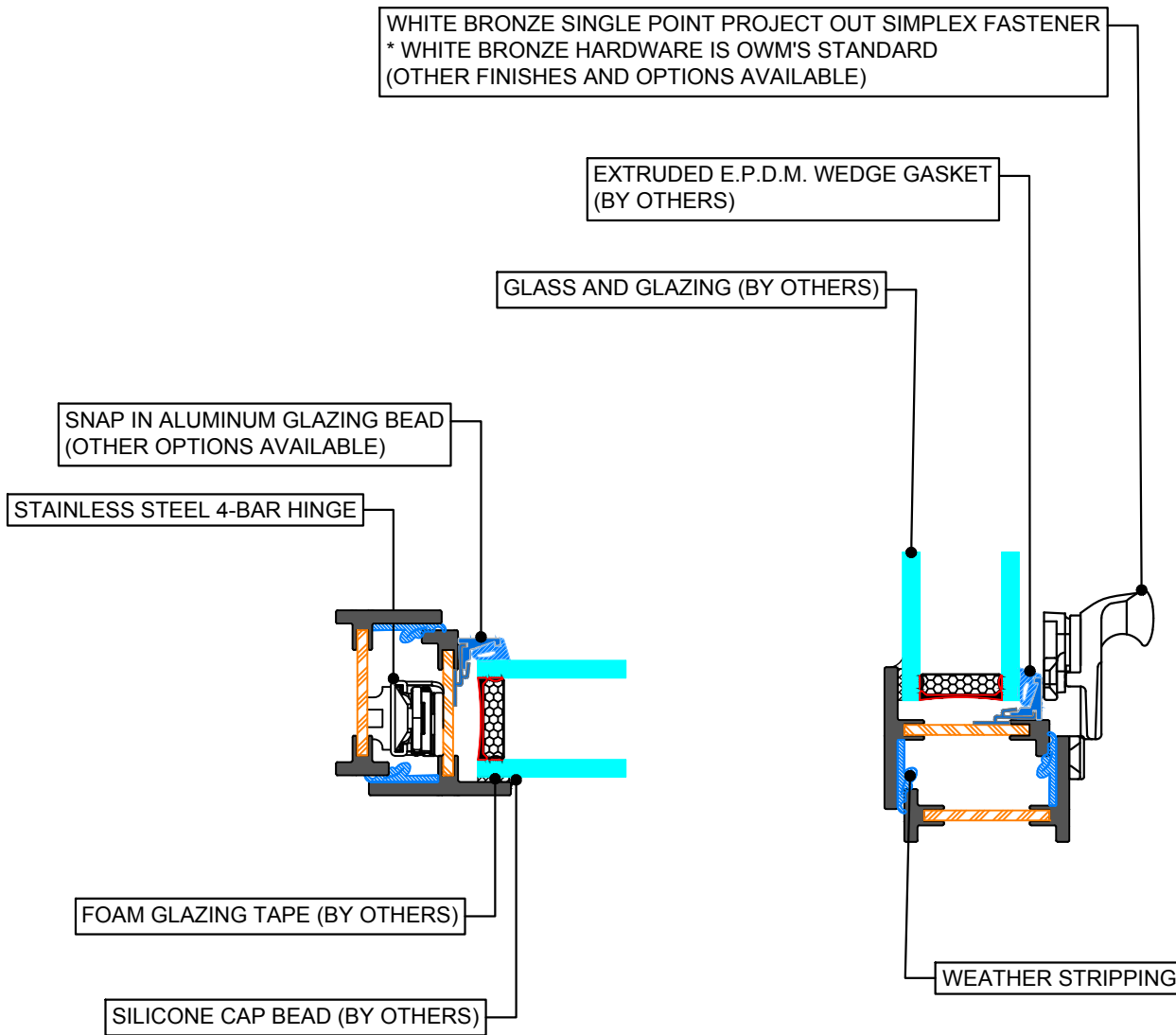


RTS4311-FX

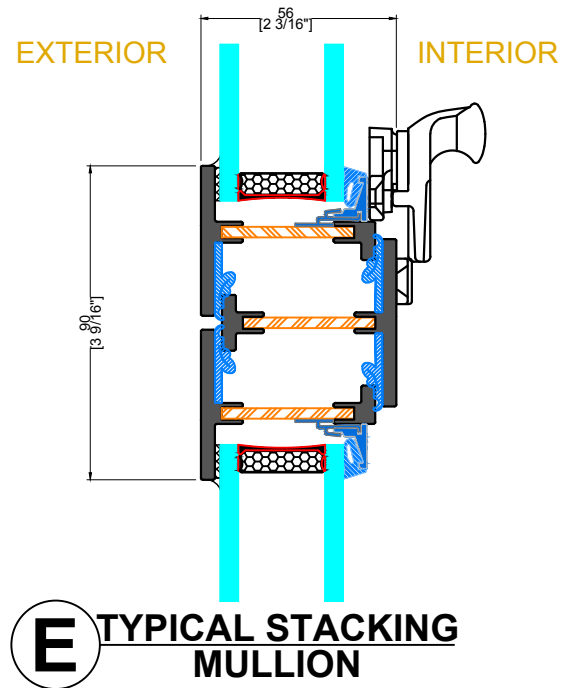
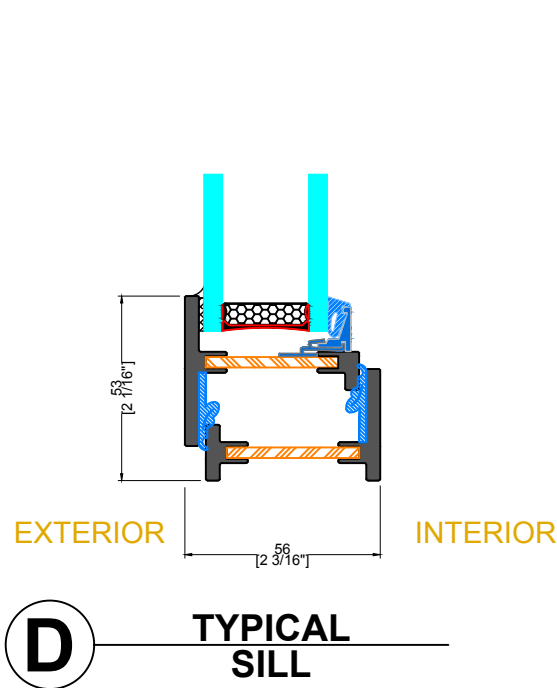
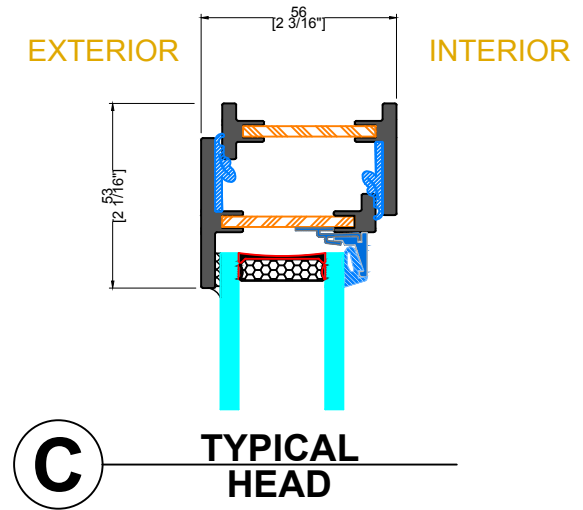
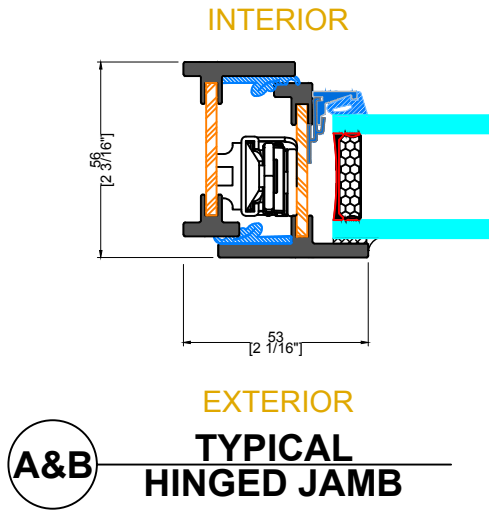


RTS4341-PO-FX

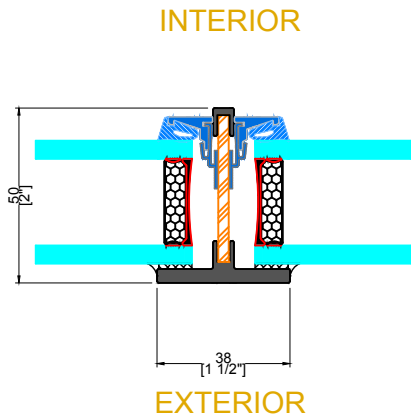
PROJECT-OUT WINDOW



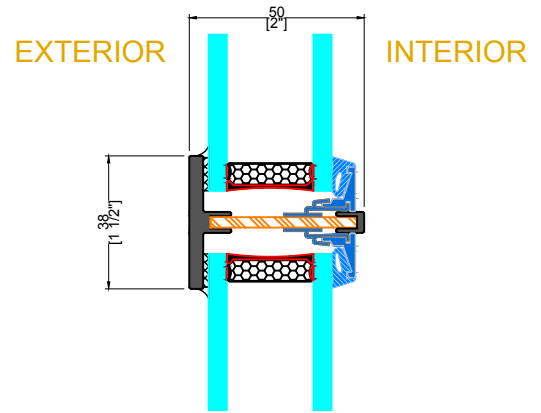
PROJECT-OUT WINDOW



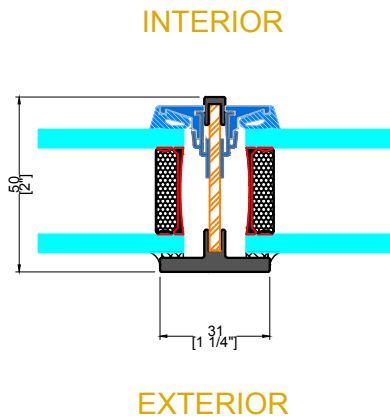
PROJECT-OUT WINDOW



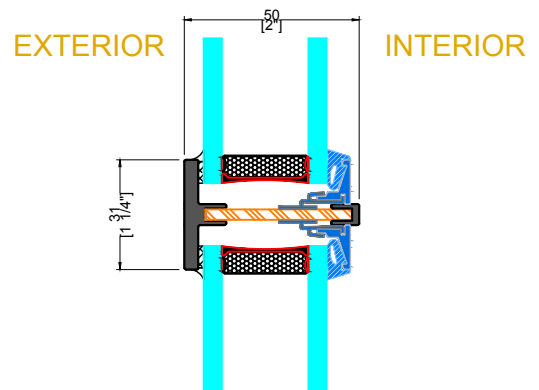
F TYPICAL VERTICAL MUNTIN



G TYPICAL HORIZONTAL MUNTIN

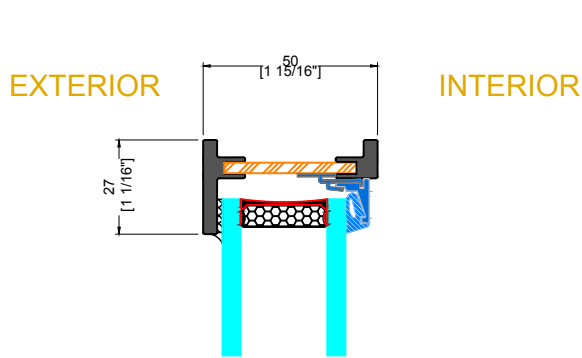


F TYPICAL VERTICAL MUNTIN

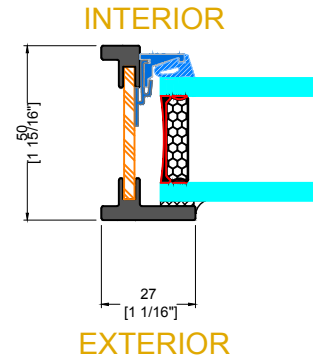


G TYPICAL HORIZONTAL MUNTIN

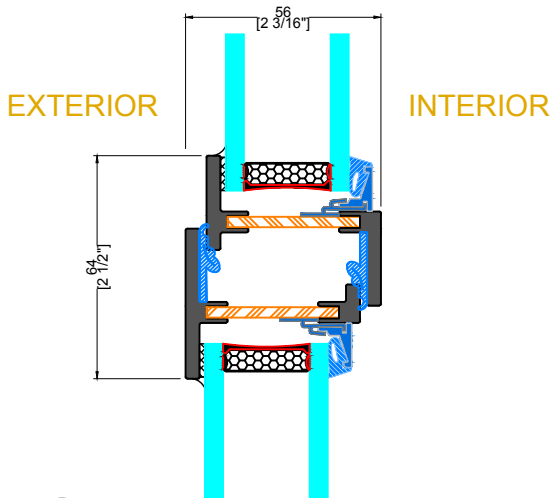
PROJECT-OUT WINDOW



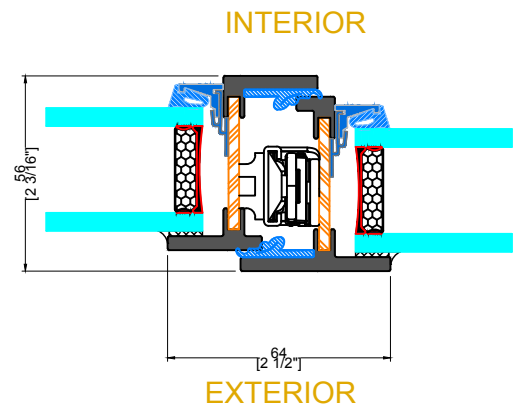
H&J TYPICAL FIXED HEAD & SILL



K&L TYPICAL FIXED JAMB



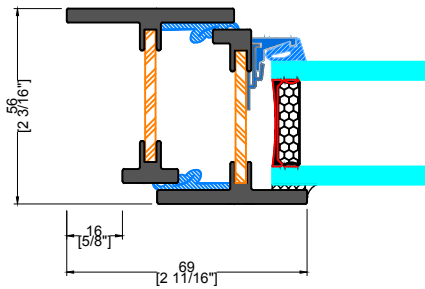
M TYPICAL HEAD W/ TRANSOM



N TYPICAL JAMB W/ SIDELITE

PROJECT-OUT WINDOW

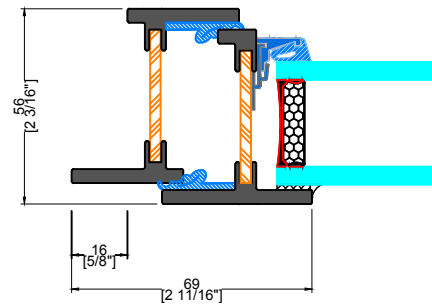
INTERIOR



EXTERIOR

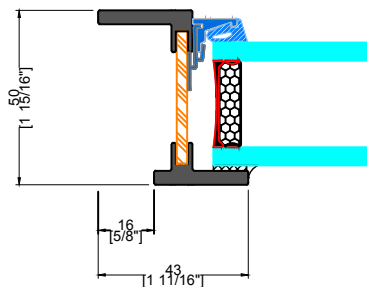
1 TYPICAL JAMB INTERIOR FLANGE

INTERIOR



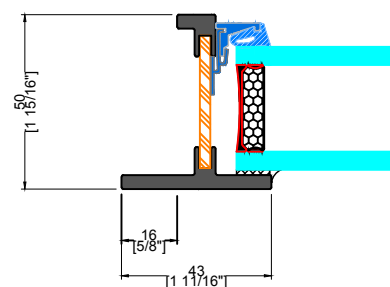
EXTERIOR

2 TYPICAL JAMB EXTERIOR FLANGE



EXTERIOR

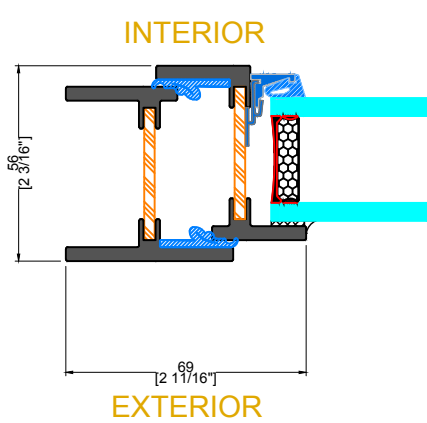
3 TYPICAL FIXED JAMB INTERIOR FLANGE



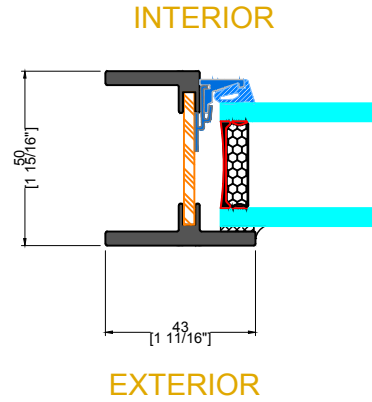
EXTERIOR

4 TYPICAL FIXED JAMB EXTERIOR FLANGE

PROJECT-OUT WINDOW

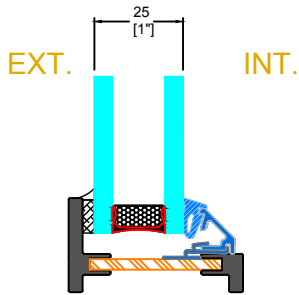


1 TYPICAL JAMB
EXTENDED FLANGE

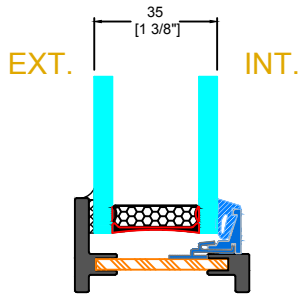


2 TYPICAL FIXED JAMB
EXTENDED FLANGE

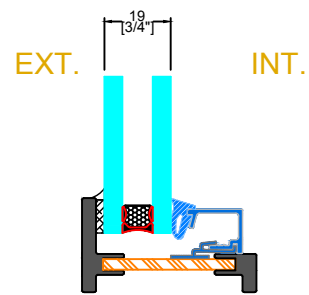
GLAZING BEADS



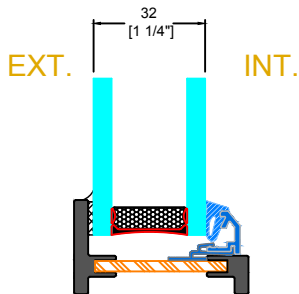
GB-04
GLAZING BEAD



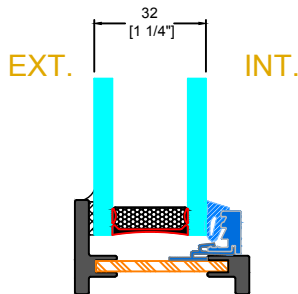
GB-05
GLAZING BEAD



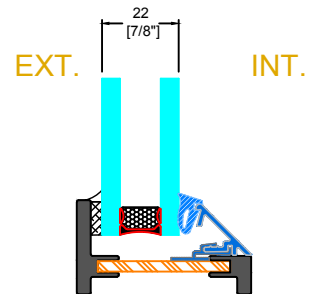
GB-06
GLAZING BEAD



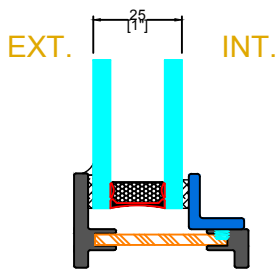
GB-12
GLAZING BEAD



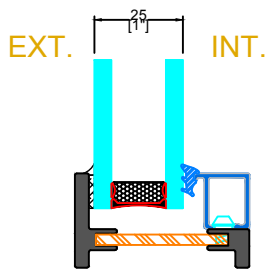
GB-13
GLAZING BEAD



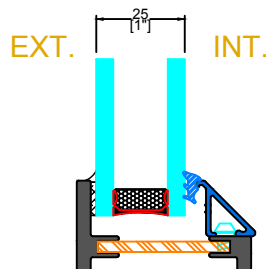
GB-15
GLAZING BEAD



GB-18X
GLAZING BEAD



GB-31
GLAZING BEAD



GB-35
GLAZING BEAD