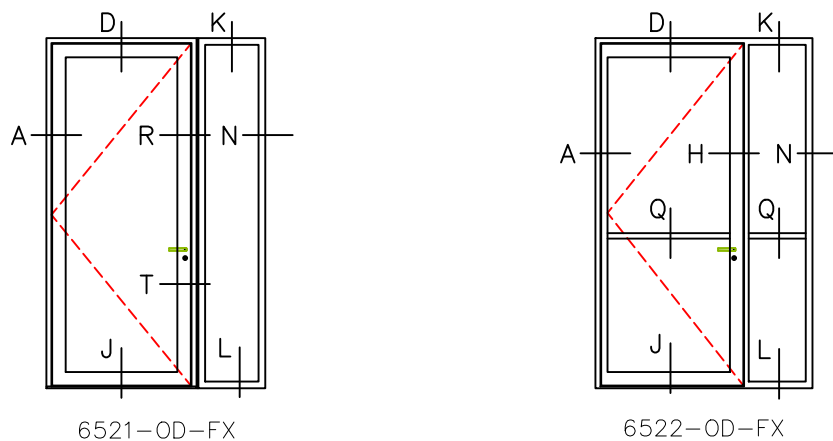
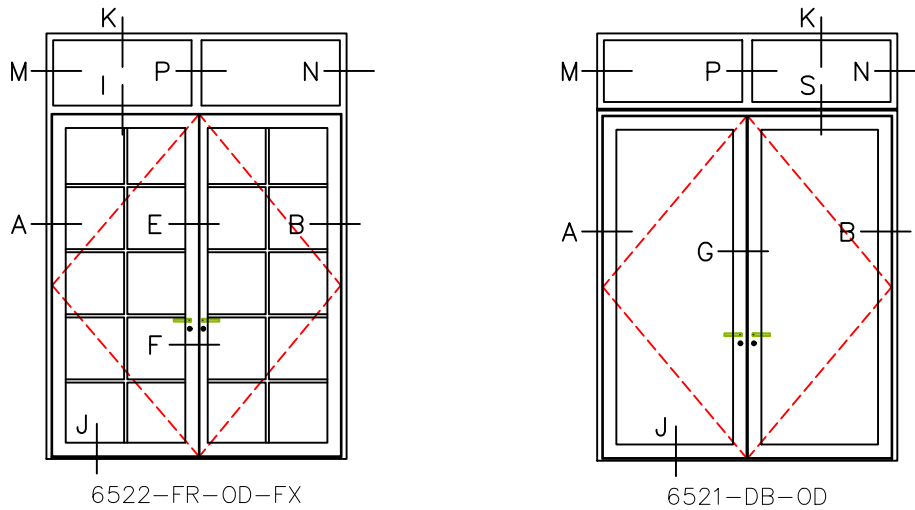
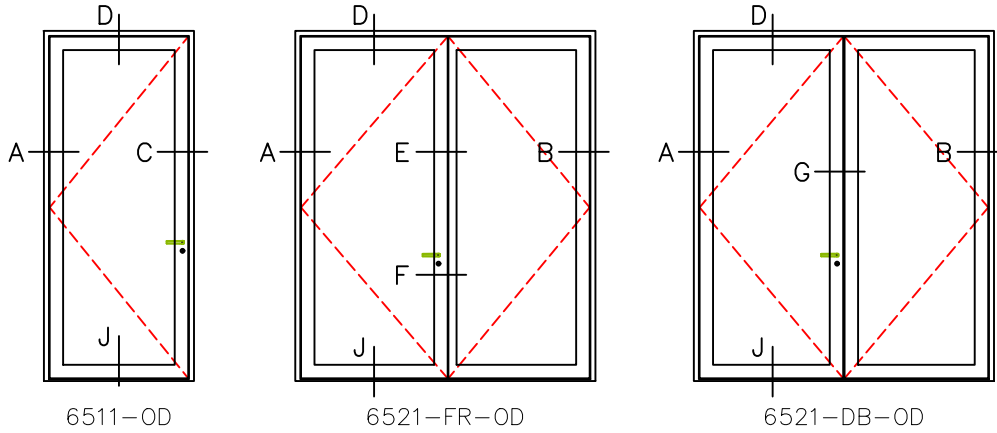
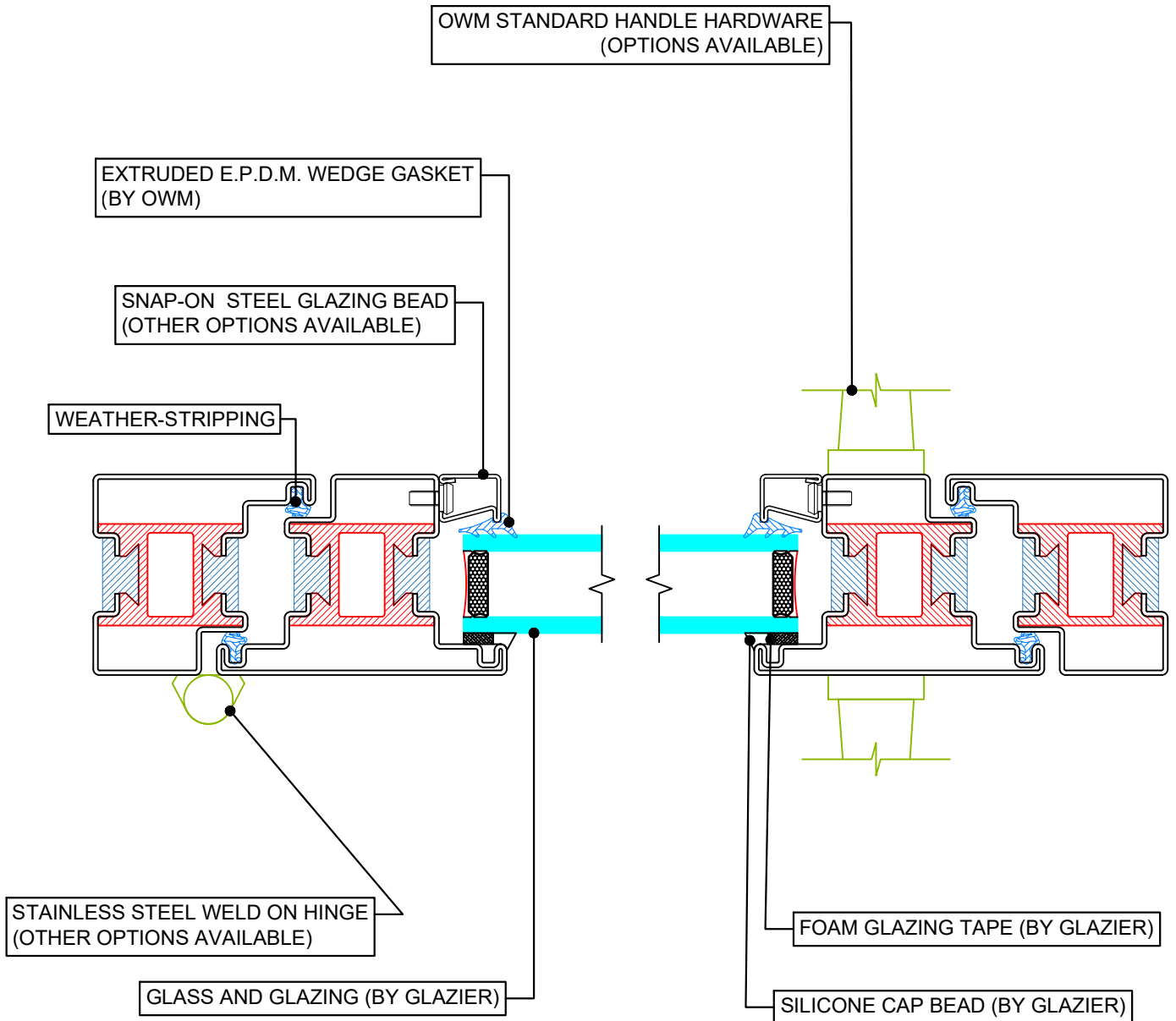


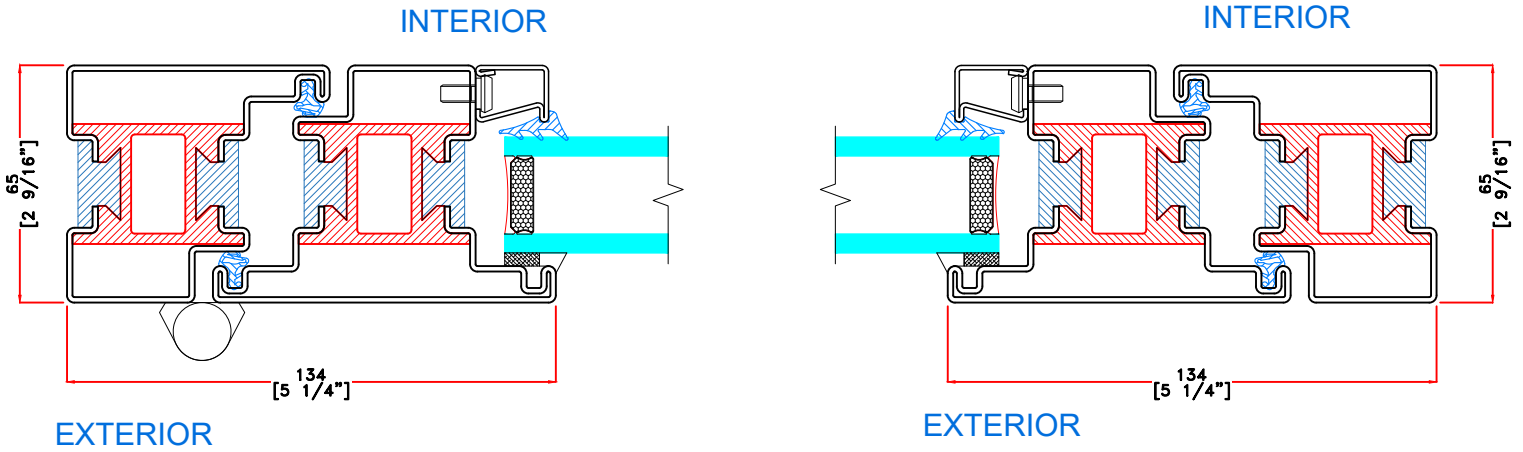
OUTSWING DOOR



OUTSWING DOOR

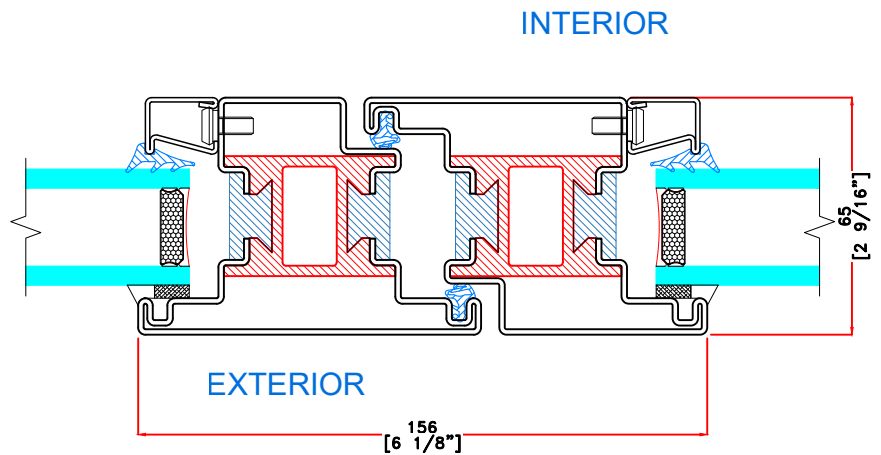
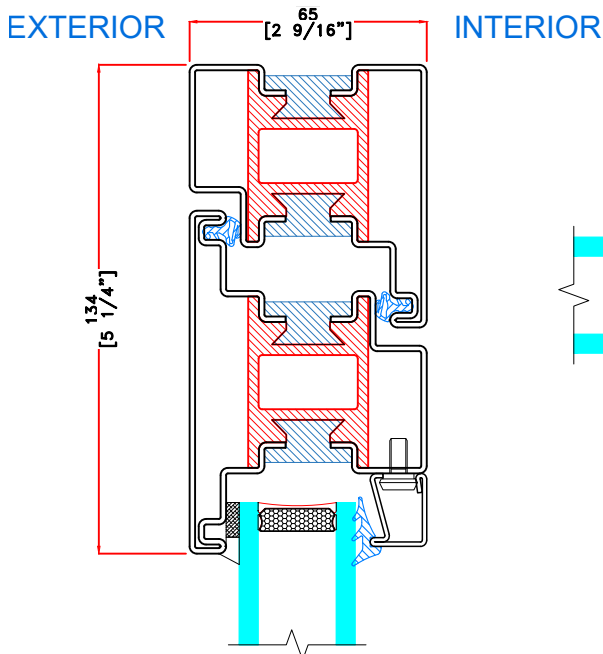


OUTSWING DOOR



A&B TYPICAL HINGED JAMB

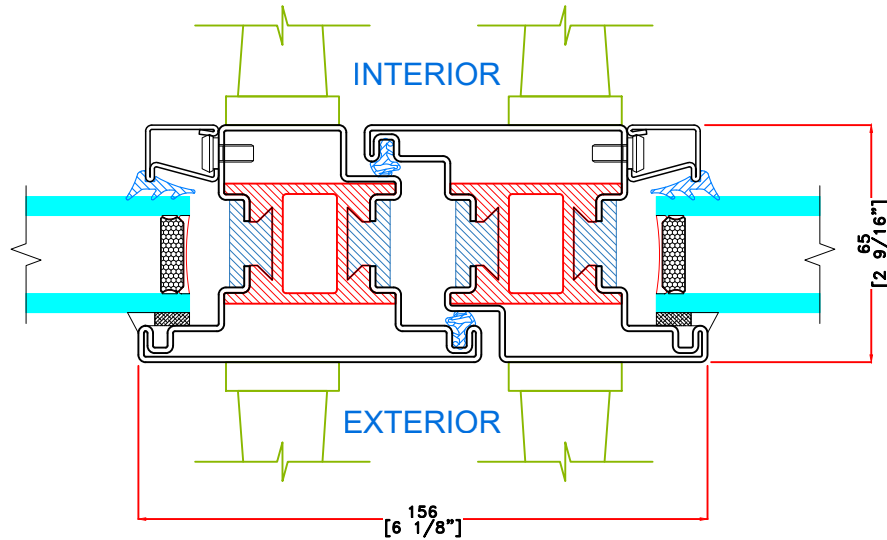
C TYPICAL LOCKING JAMB



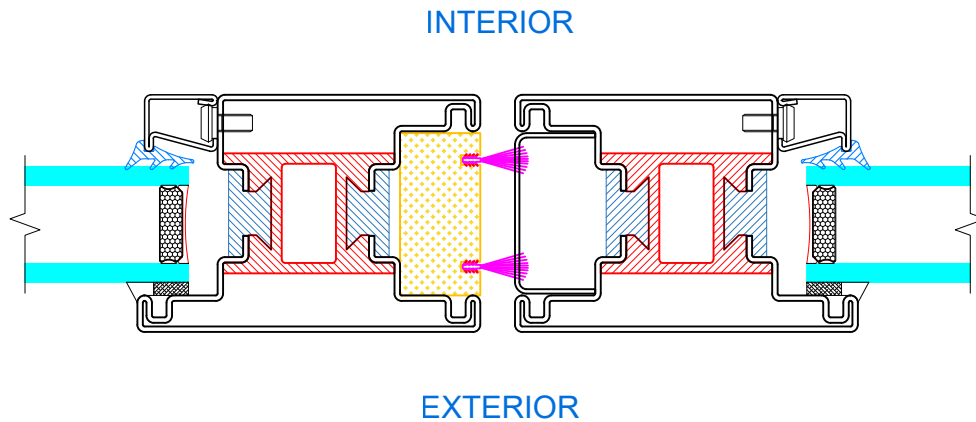
D TYPICAL HEAD

E TYPICAL FRENCH MEETING RAIL

OUTSWING DOOR

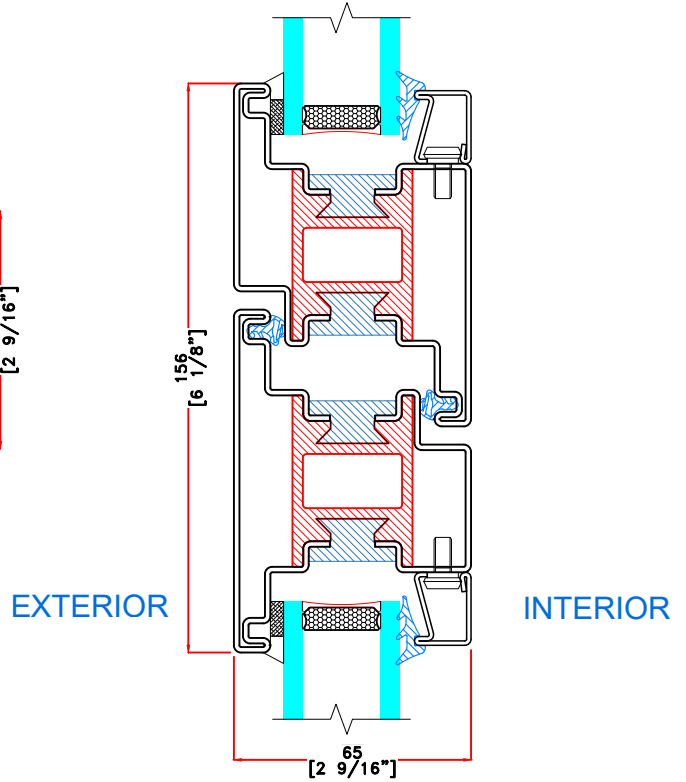
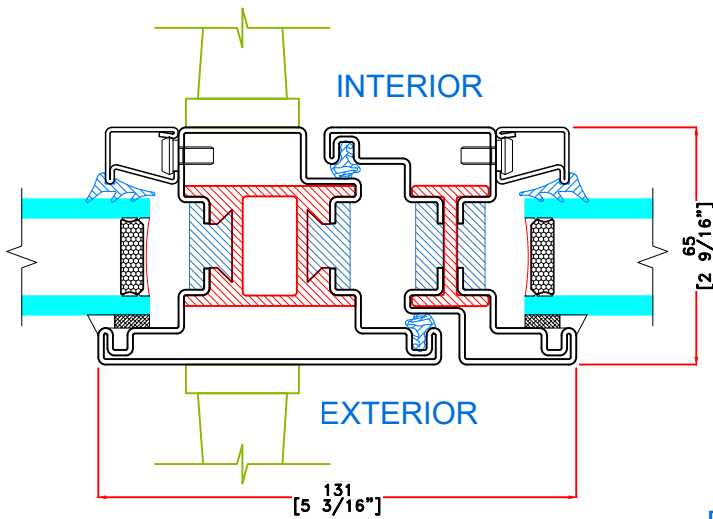


F TYPICAL FRENCH LOCKBOX



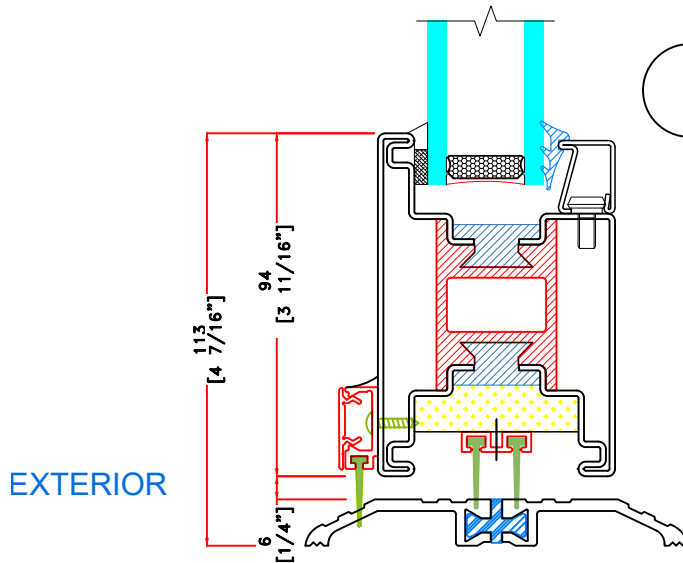
G OPTIONAL BULLNOSE DOUBLE MEETING RAIL / LOCKBOX

OUTSWING DOOR



H OPTIONAL FRENCH MEETING RAIL - MANDOR

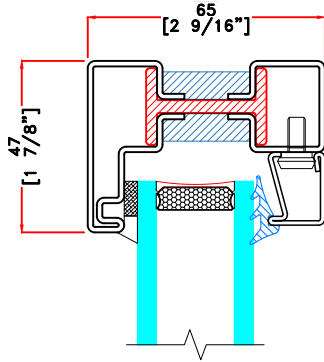
I TYPICAL FIXED / OPERABLE MEETING RAIL



J TYPICAL KICKPALTE

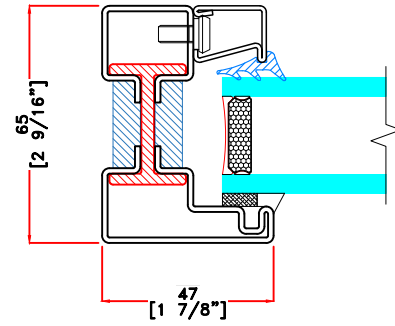
OUTSWING DOOR

EXTERIOR INTERIOR

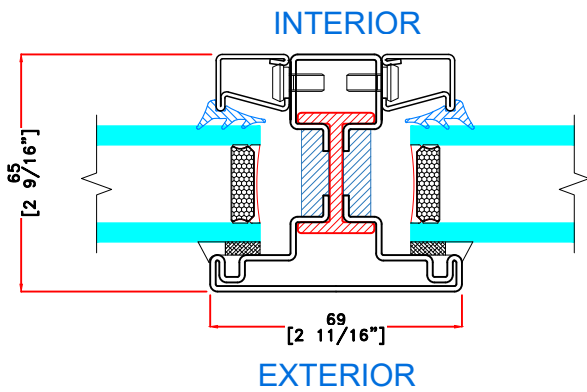


K&L TYPICAL FIXED HEAD & SILL

EXTERIOR INTERIOR

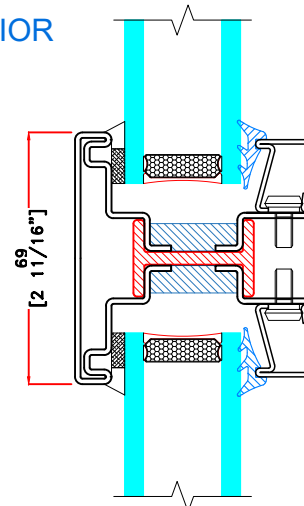


M&N TYPICAL FIXED JAMB



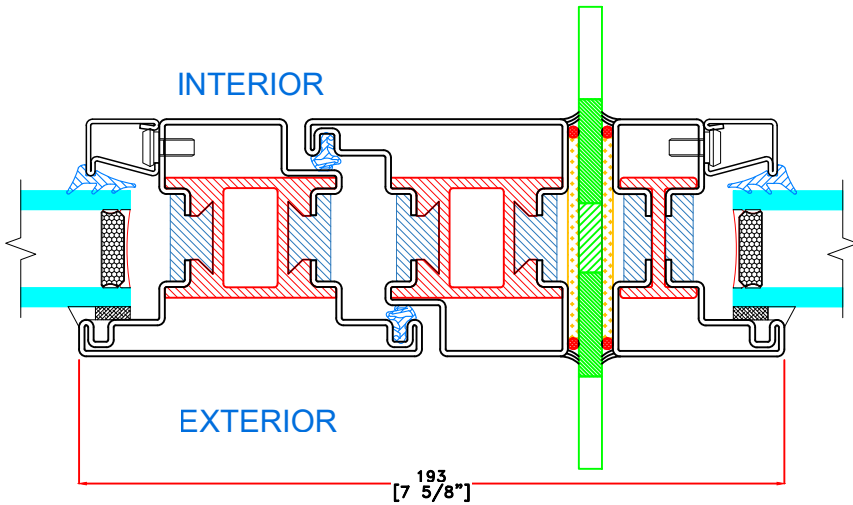
P TYPICAL VERTICAL MUNTIN

EXTERIOR INTERIOR

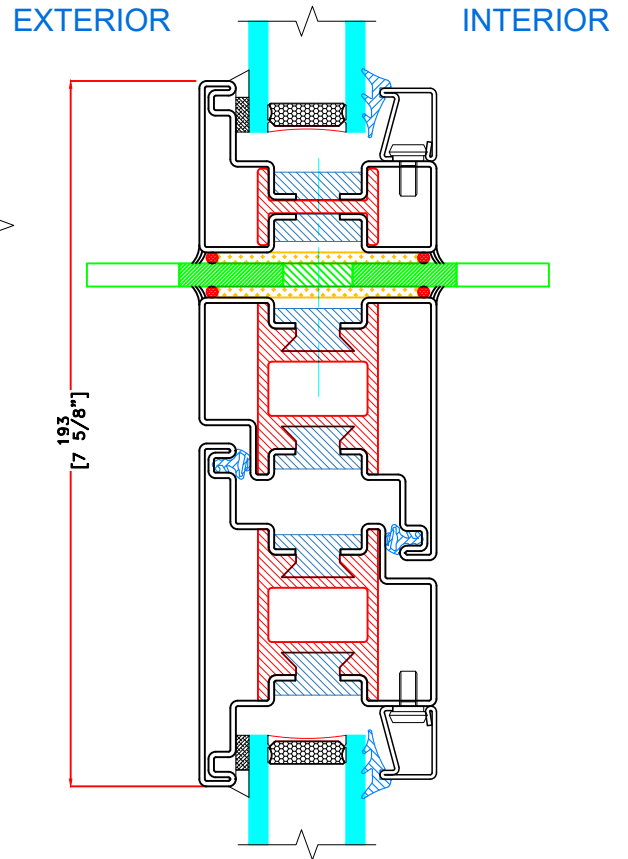


Q TYPICAL HORIZONTAL MUNTIN

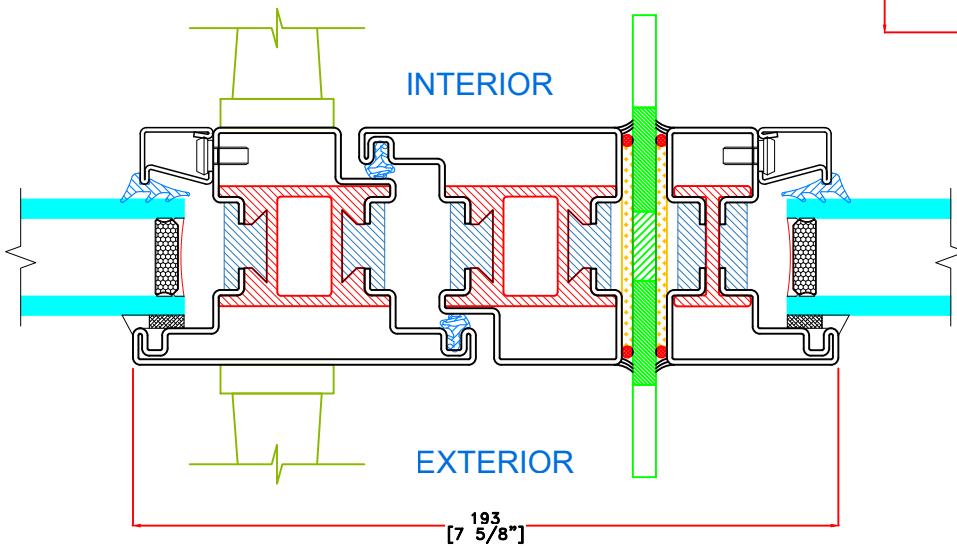
OUTSWING DOOR



R TYPICAL JOINING MULLION



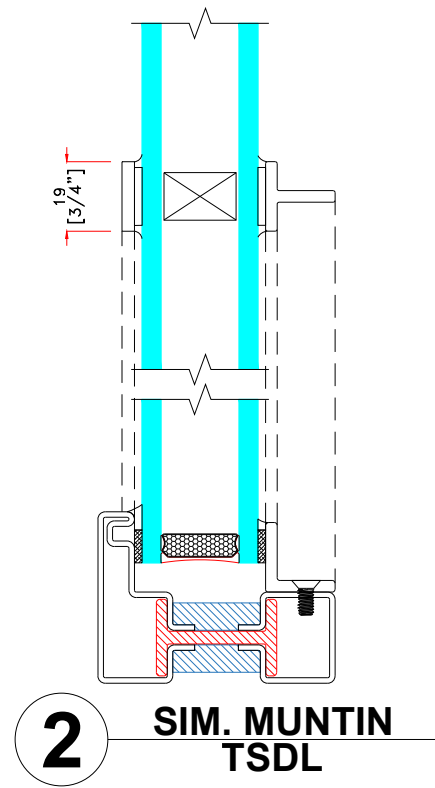
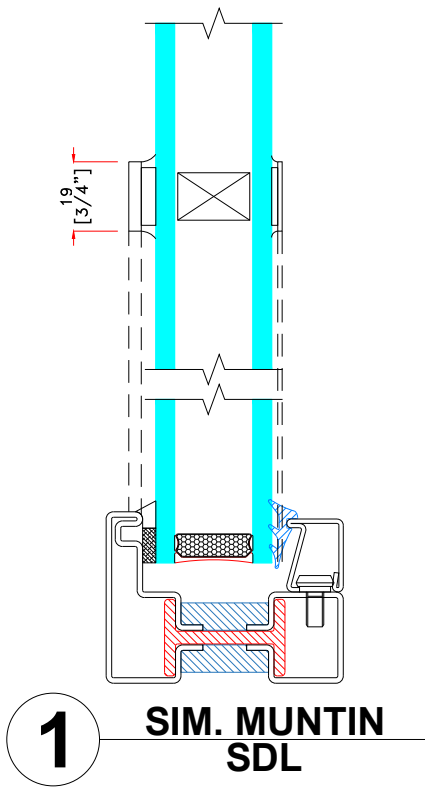
S TYPICAL STACKING MULLION



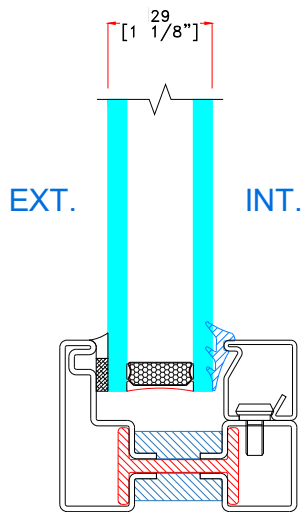
T TYPICAL SINGLE LOCKBOX

STYLE AND DESIGN OF FLAT BAR MULLION MAY VARY DEPENDENT UPON ENGINEERING REQUIREMENTS

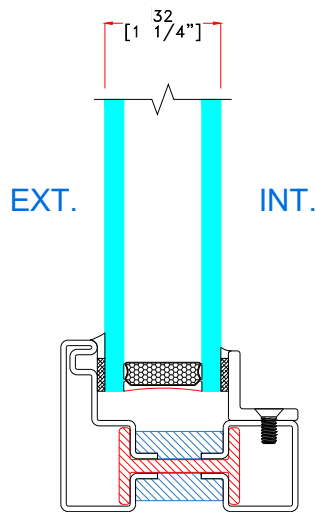
OUTSWING DOOR



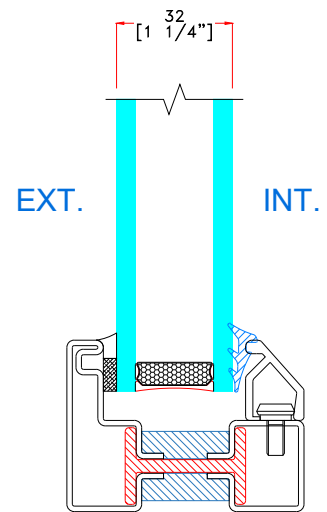
OUTSWING DOOR INTERIOR GLAZING



GB-1007
GLAZING BEAD



GB18-.75
GLAZING BEAD



GB-22
GLAZING BEAD