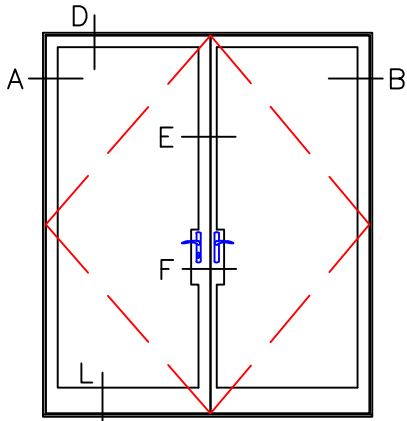
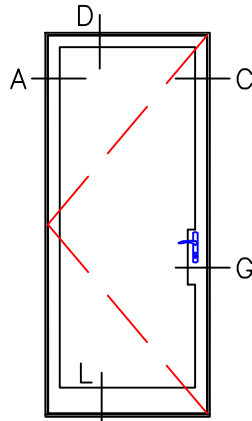


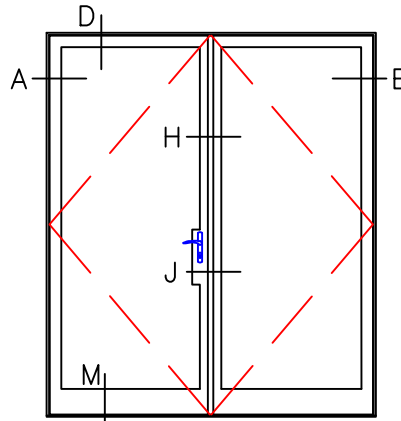
OUTSWING DOOR



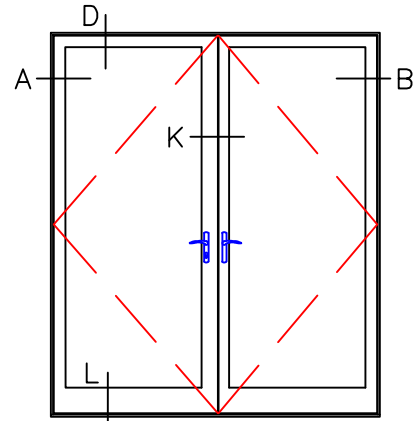
5500_21_OD



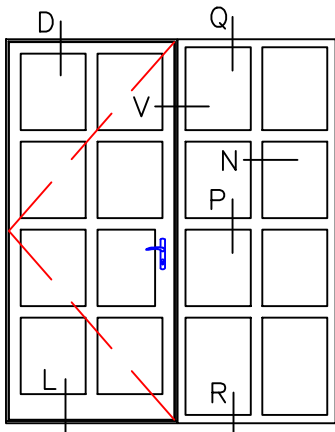
5500_11_OD



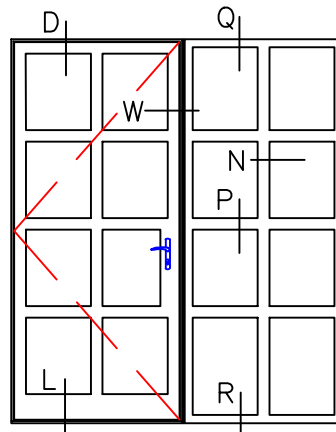
5500_21_OD



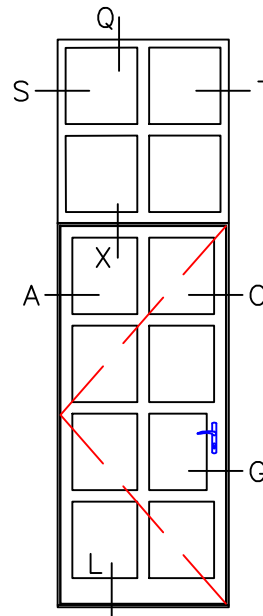
5500_21_OD



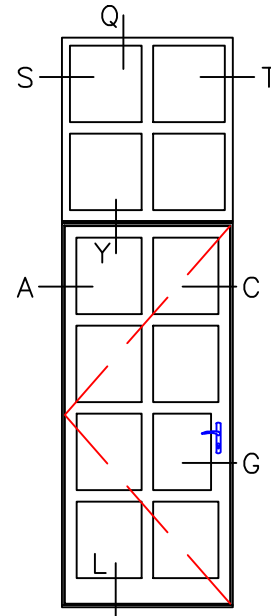
5500_44_OD



5500_44_OD



5500_26_OD

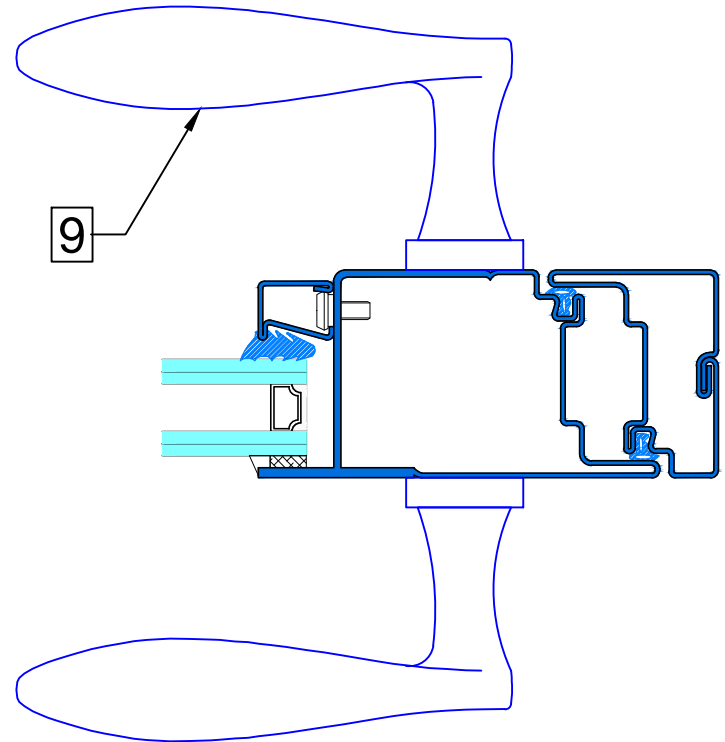
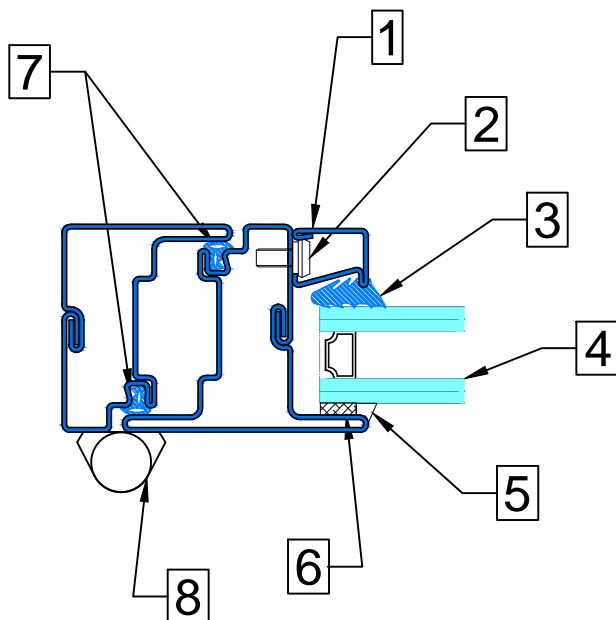


5500_26_OD

*LEVER HANDLE ON
PRIMARY VENT ONLY
* PUSH/PULL ARMS TO BE
SELECTED BY OTHERS

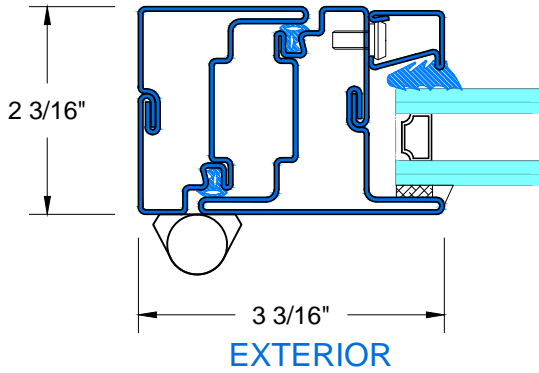
OUTSWING DOOR

1. Snap in steel glazing bead (other options available)
2. Snap fastener
3. Extruded EPDM wedge gasket
4. Glass and glazing (by others)
5. Silicone cap bead (by others)
6. Glazing tape (by others)
7. Weather stripping
8. Weld on hinge
9. Rodos handle



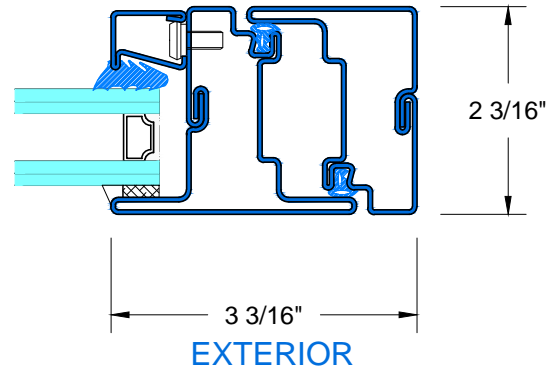
OUTSWING DOOR

INTERIOR



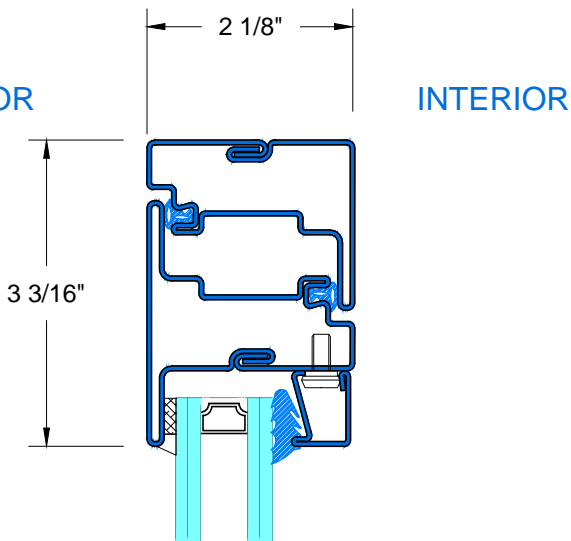
A&B TYPICAL HINGED JAMB

INTERIOR



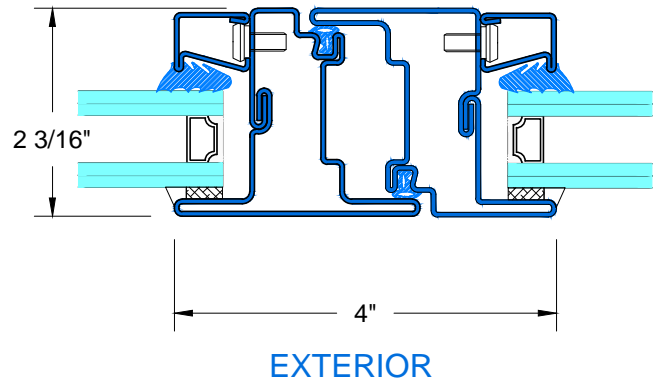
C TYPICAL LOCKING JAMB

EXTERIOR



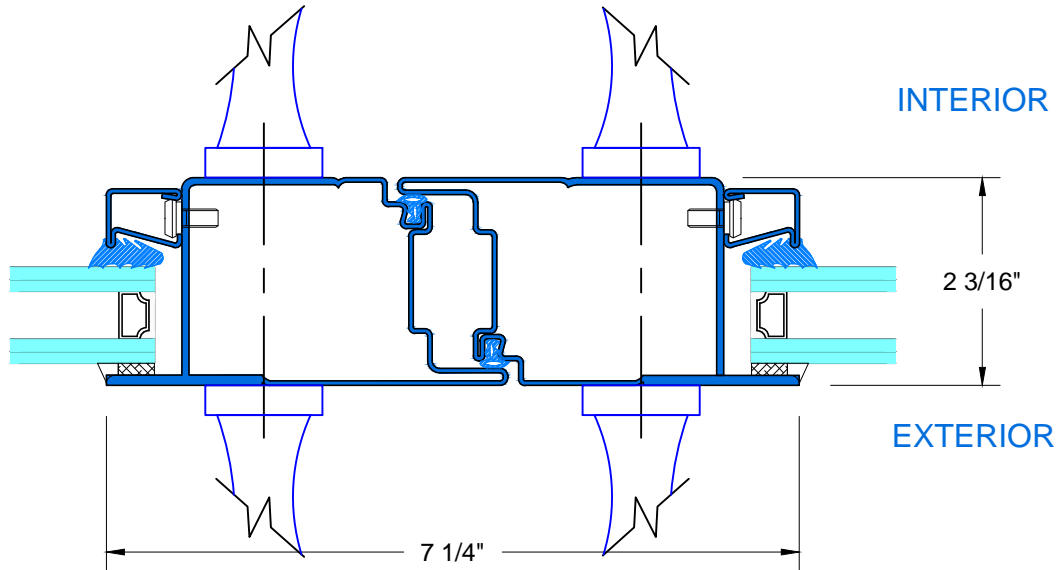
D TYPICAL HEAD

INTERIOR

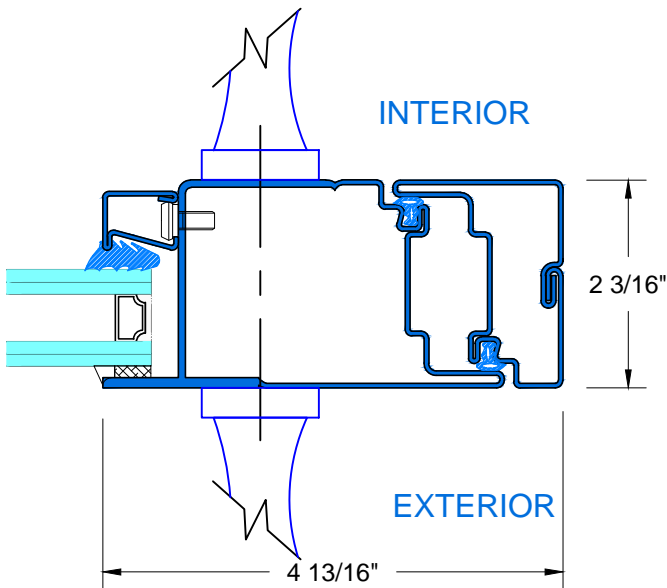


E TYPICAL FRENCH MEETING RAIL

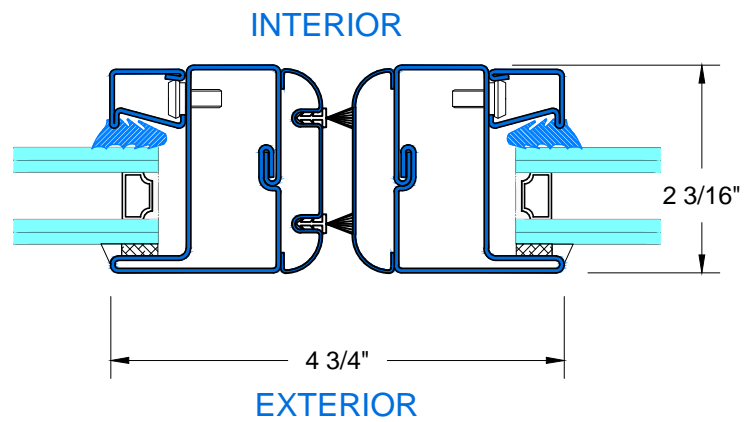
OUTSWING DOOR



F TYPICAL FRENCH LOCKBOX

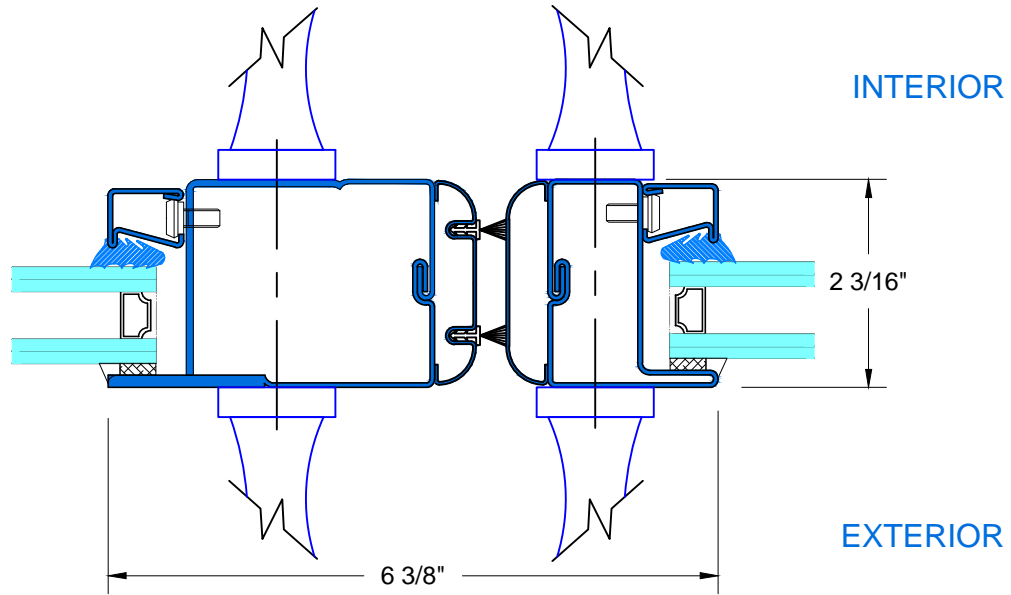


G TYPICAL SINGLE LOCKBOX

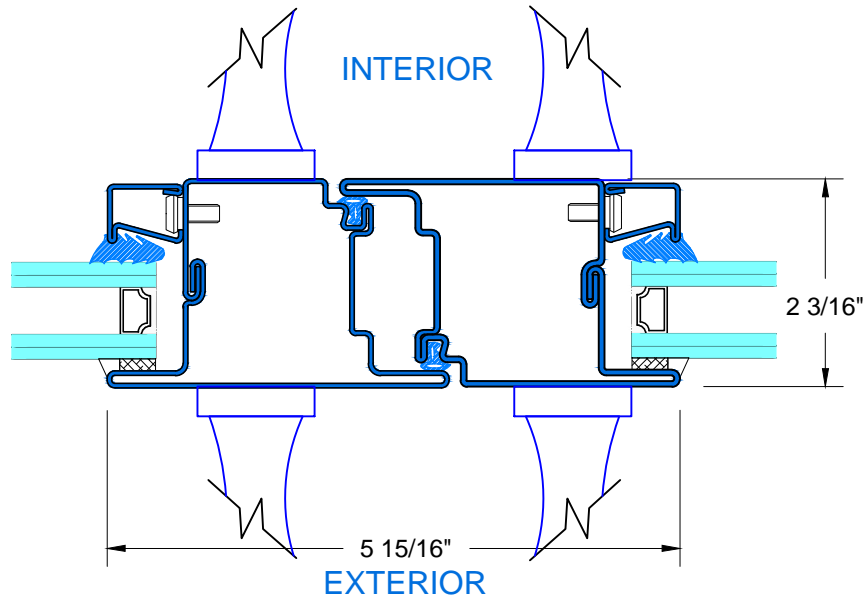


H TYPICAL DOUBLE MEETING RAIL

OUTSWING DOOR

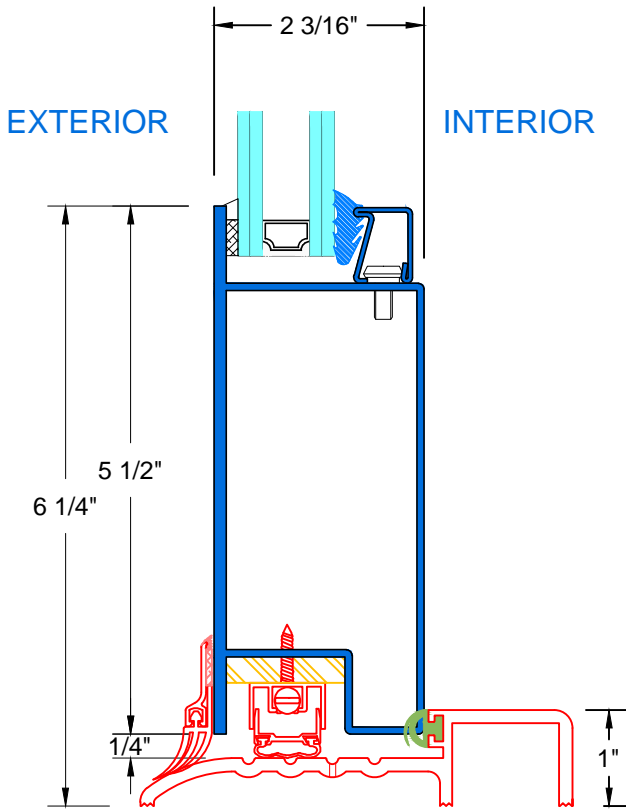


J TYPICAL FRENCH LOCKBOX

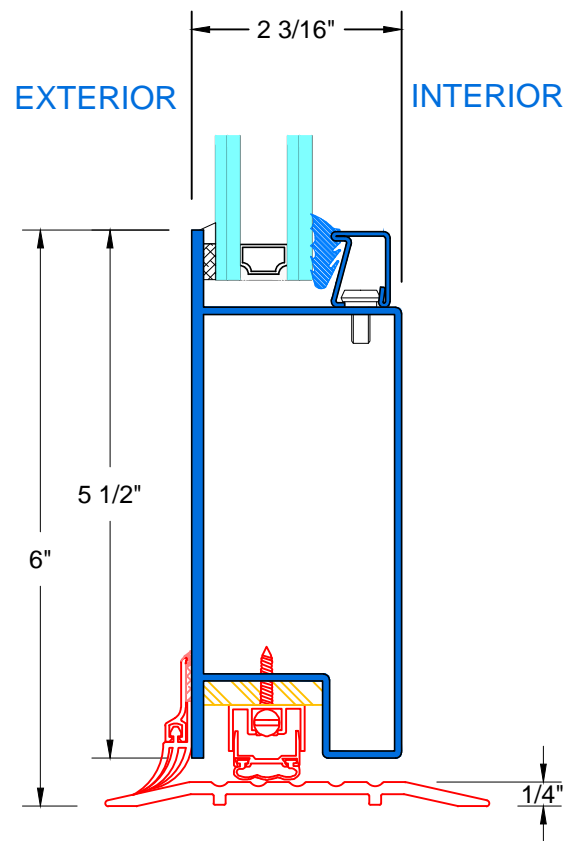


K TYPICAL FRENCH MEETING RAIL

OUTSWING DOOR

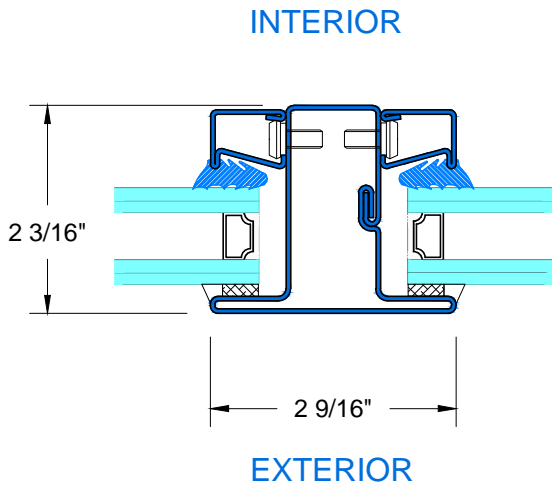


L TYPICAL KICKPLATE

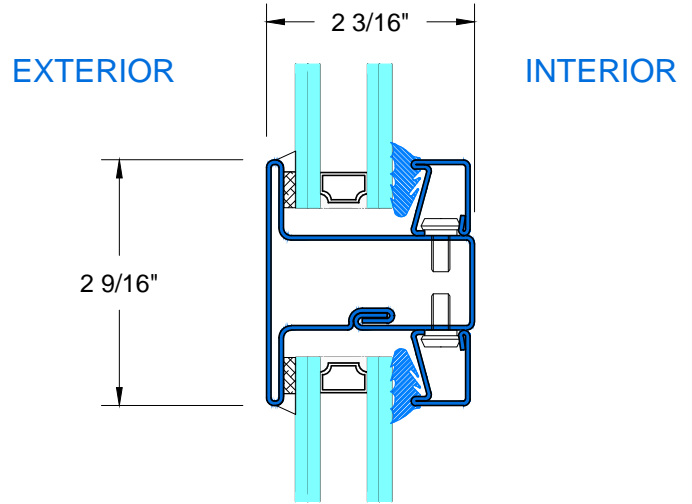


M TYPICAL COMMERCIAL KICKPLATE AND SADDLE

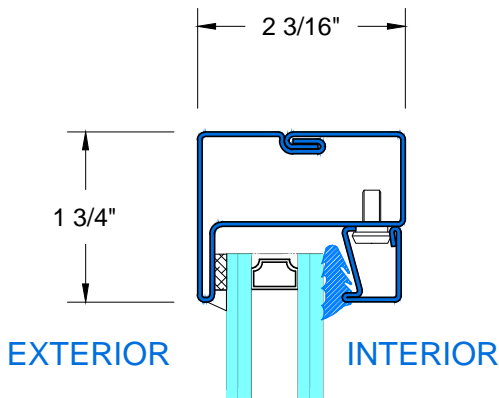
OUTSWING DOOR



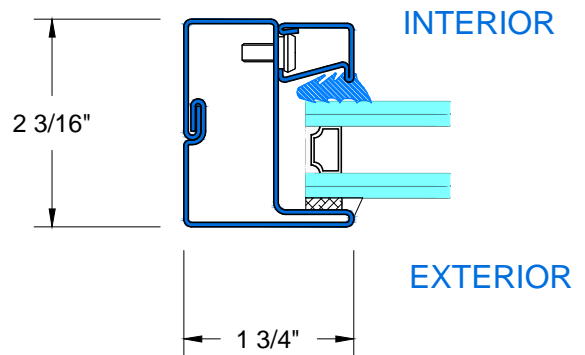
N TYPICAL VERTICAL MUNTIN



P TYPICAL HORIZONTAL MUNTIN

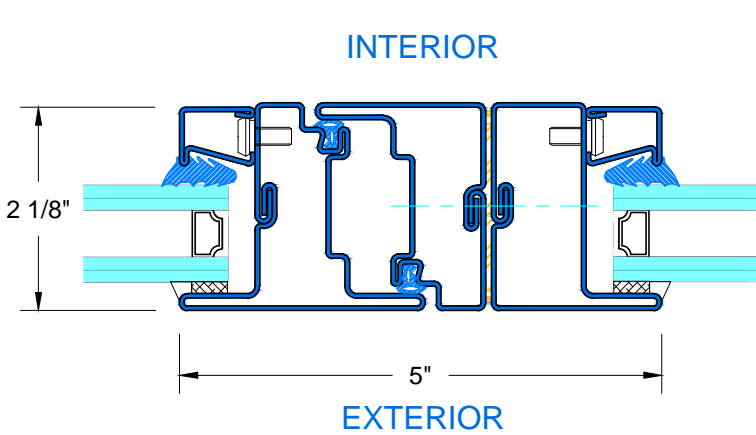


Q&R TYPICAL FIXED HEAD & SILL

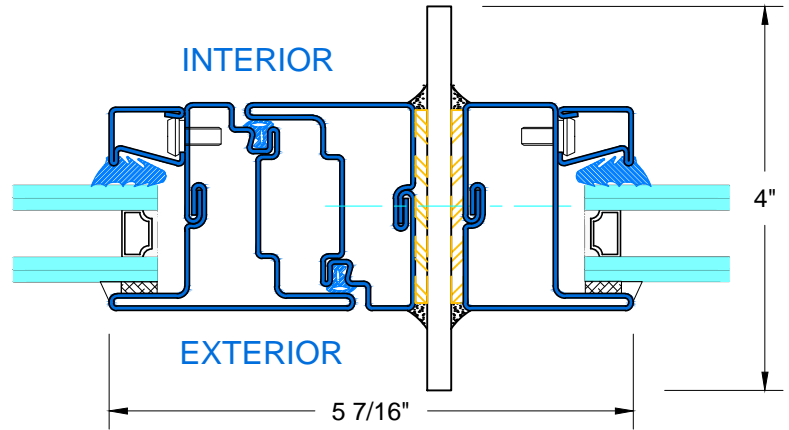


S&T TYPICAL FIXED JAMB

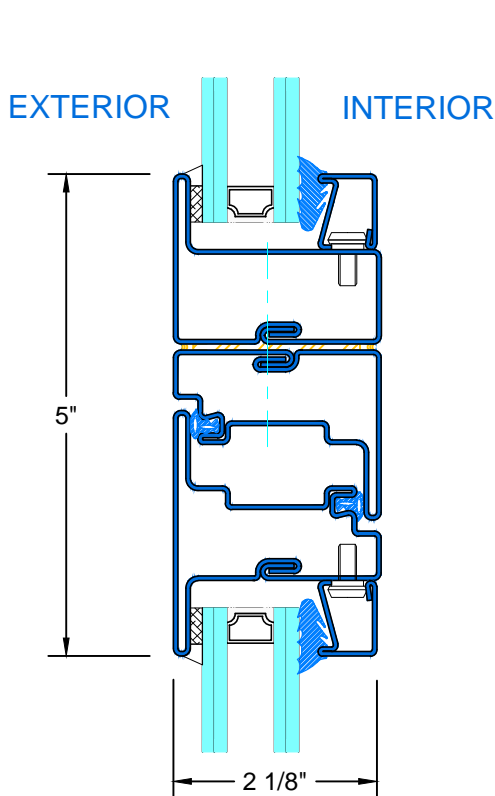
OUTSWING DOOR



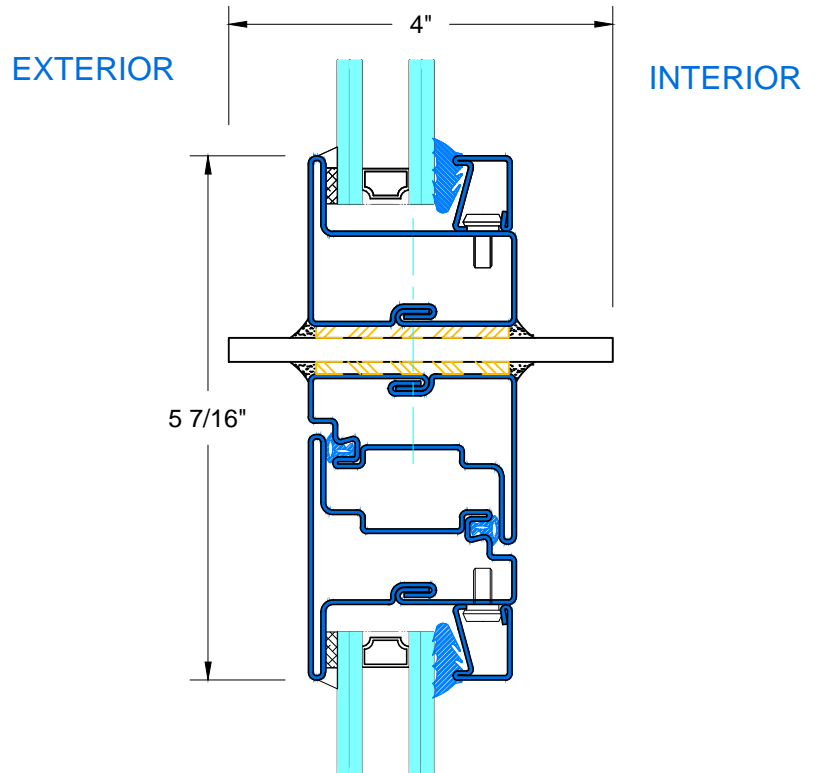
V TYPICAL JOINING SIDELITE



W TYPICAL JOINING MULLION



X TYPICAL STACKING TRANSOM

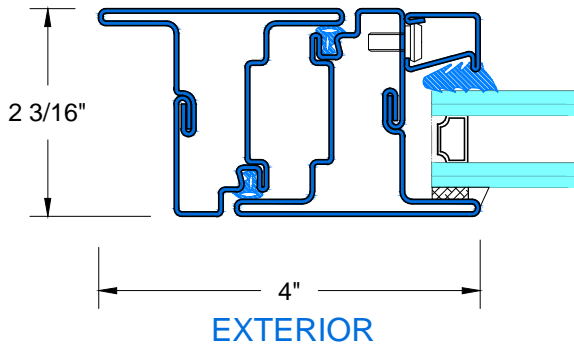


Y TYPICAL STACKING MULLION

OUTSWING DOOR

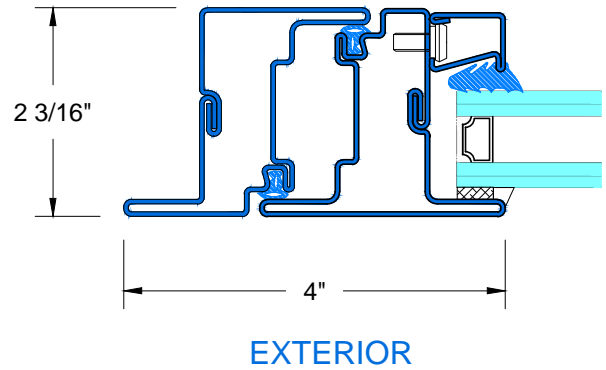
OPTIONAL FLANGE FRAME

INTERIOR



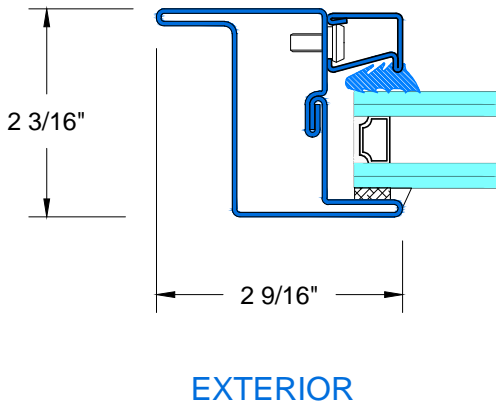
1 TYPICAL JAMB
INTERIOR FLANGE

INTERIOR



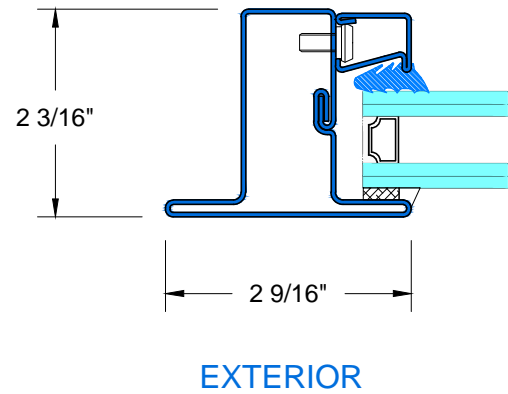
2 TYPICAL JAMB
EXTERIOR FLANGE

INTERIOR



3 TYPICAL FIXED
INTERIOR FLANGE

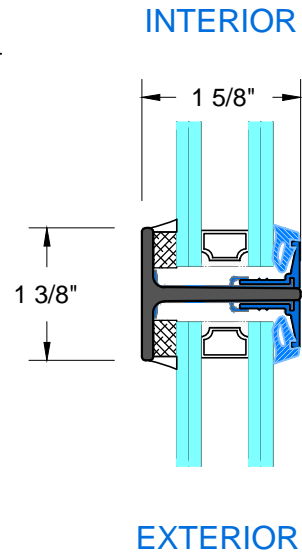
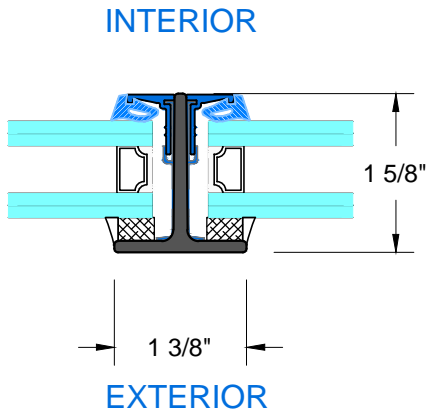
INTERIOR



4 TYPICAL FIXED
EXTERIOR FLANGE

OUTSWING DOOR

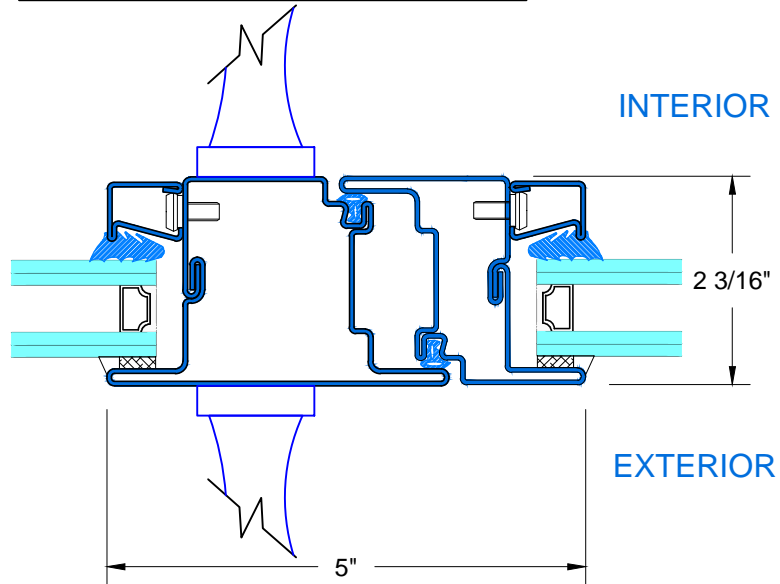
OPTIONAL MUNTIN



N TYPICAL VERTICAL MUNTIN

P TYPICAL HORIZONTAL MUNTIN

OPTIONAL MEETING RAIL



K OPTIONAL FRENCH MEETING RAIL