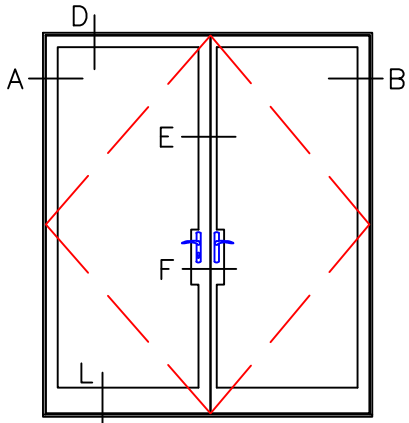


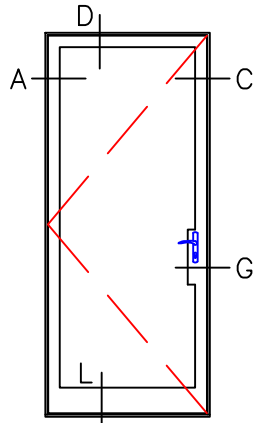
## Typical Exterior Elevations

OUTSWING DOORS / FIXED

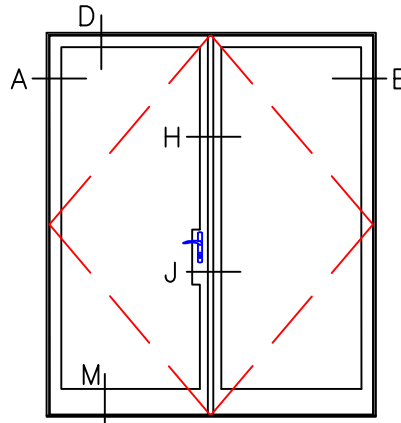
Scale: Not To Scale



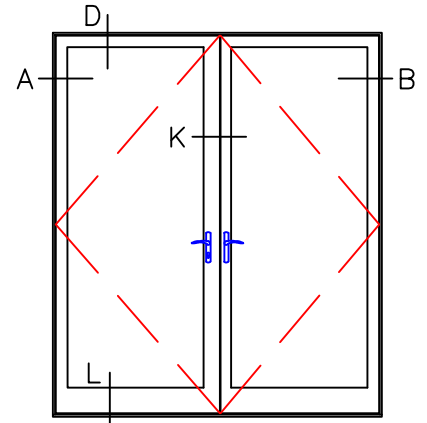
5500\_21\_OD



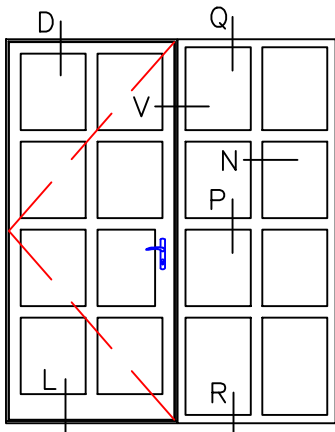
5500\_11\_OD



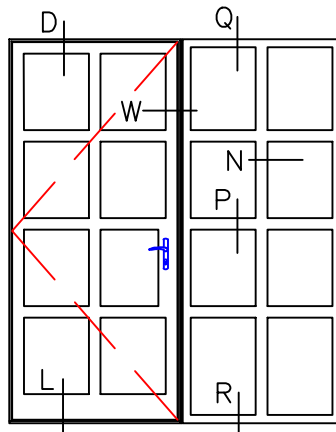
5500\_21\_OD



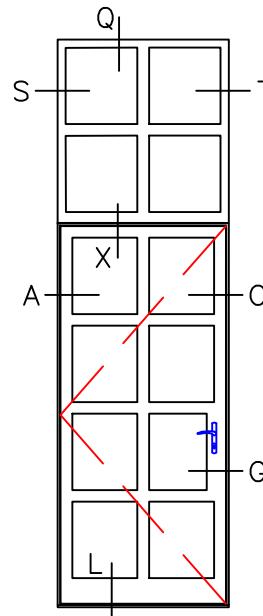
5500\_21\_OD



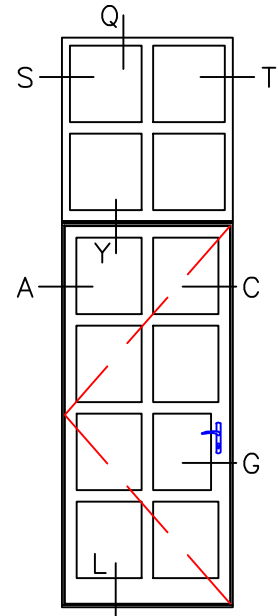
5500\_44\_OD



5500\_44\_OD



5500\_26\_OD



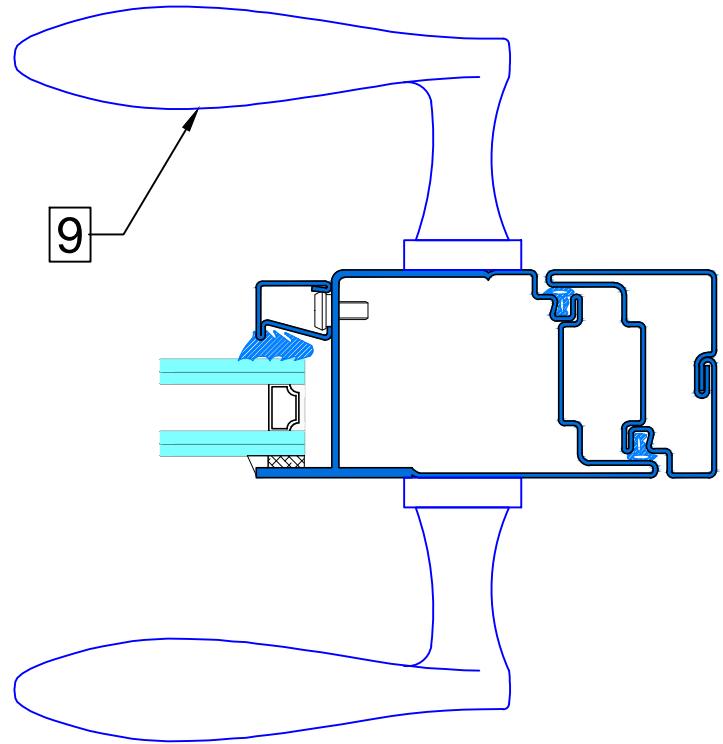
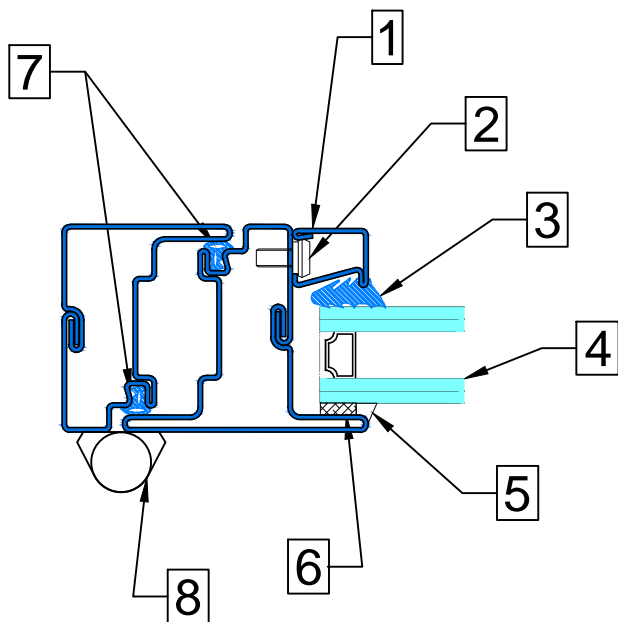
5500\_26\_OD

\*LEVER HANDLE ON  
PRIMARY VENT ONLY  
\* PUSH/PULL ARMS TO BE  
SELECTED BY OTHERS



## KEY (TYPICAL)

1. Snap in steel glazing bead (other options available)
2. Snap fastener
3. Extruded EPDM wedge gasket
4. Glass and glazing (by others)
5. Silicone cap bead (by others)
6. Glazing tape (by others)
7. Weather stripping
8. Weld on hinge
9. Rodos handle



## Typical Details

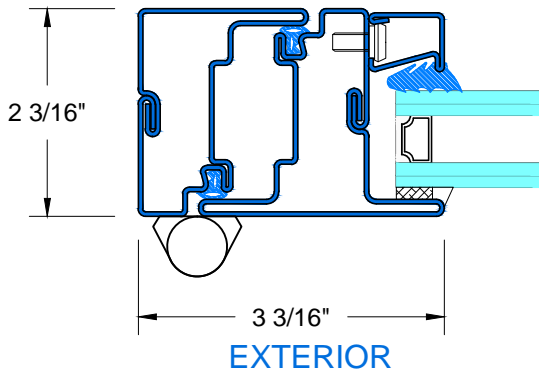
OUTSWING DOORS / FIXED

Scale: Half Scale

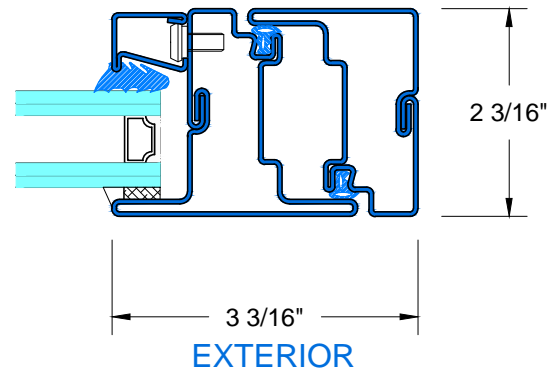
PAGE 3 OF 10

STANDARD HARDWARE  
view hardware sheet  
for optional hardware

INTERIOR



INTERIOR



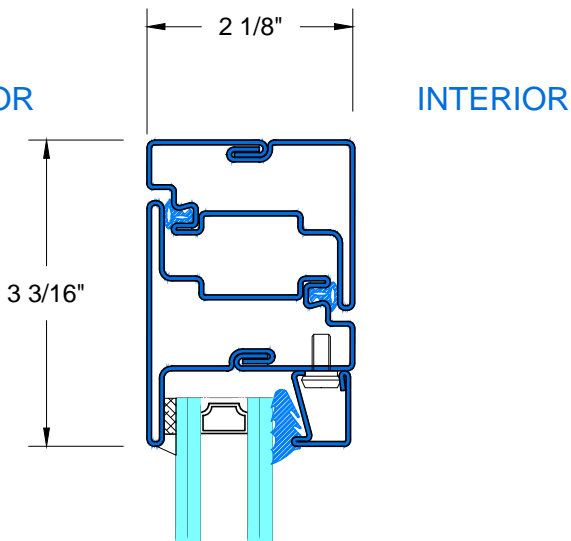
A&B

TYPICAL  
HINGED JAMB

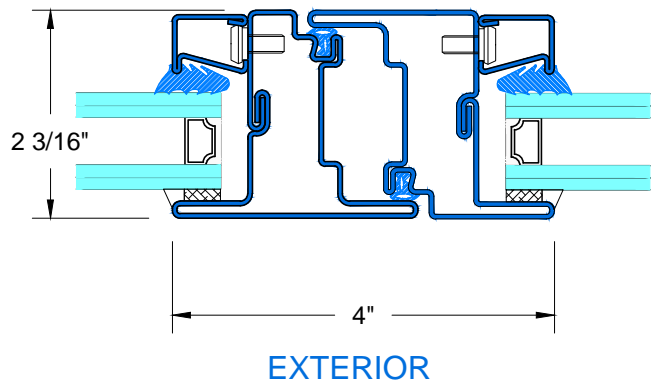
C

TYPICAL  
LOCKING JAMB

EXTERIOR



INTERIOR



D

TYPICAL  
HEAD

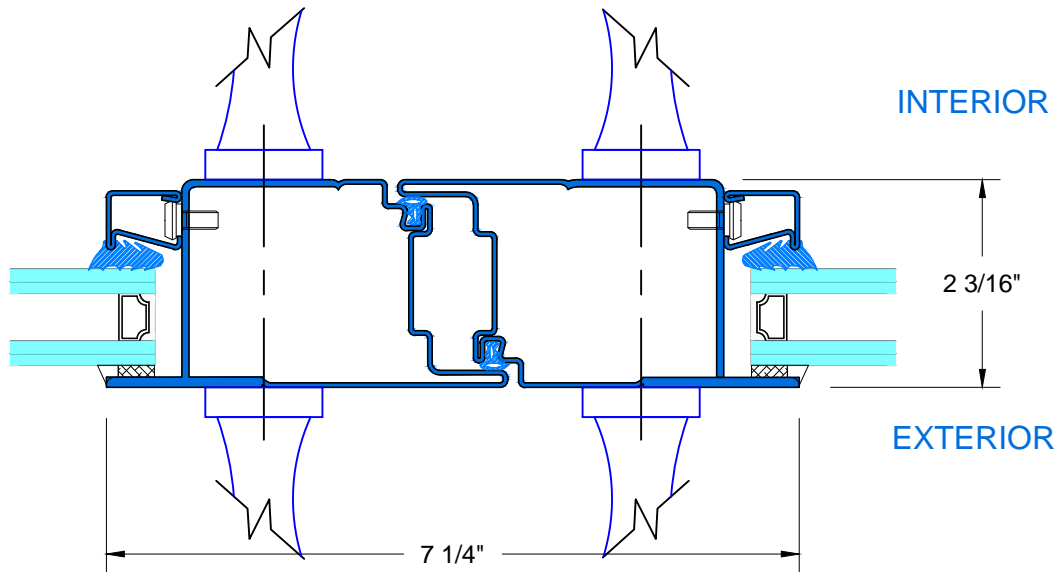
E

TYPICAL FRENCH  
MEETING RAIL

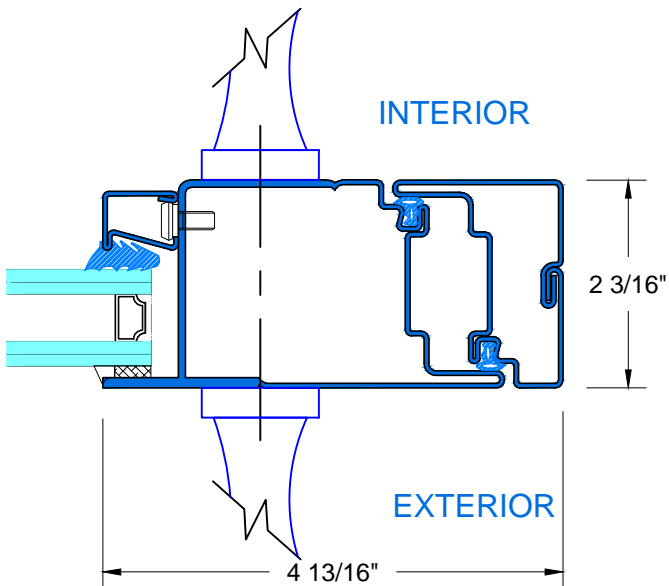


## Typical Details

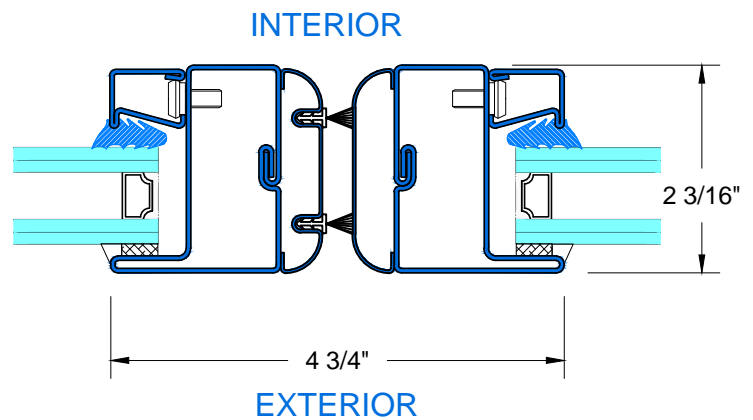
OUTSWING DOORS / FIXED  
Scale: Half Scale



**F** TYPICAL FRENCH LOCKBOX



**G** TYPICAL SINGLE LOCKBOX

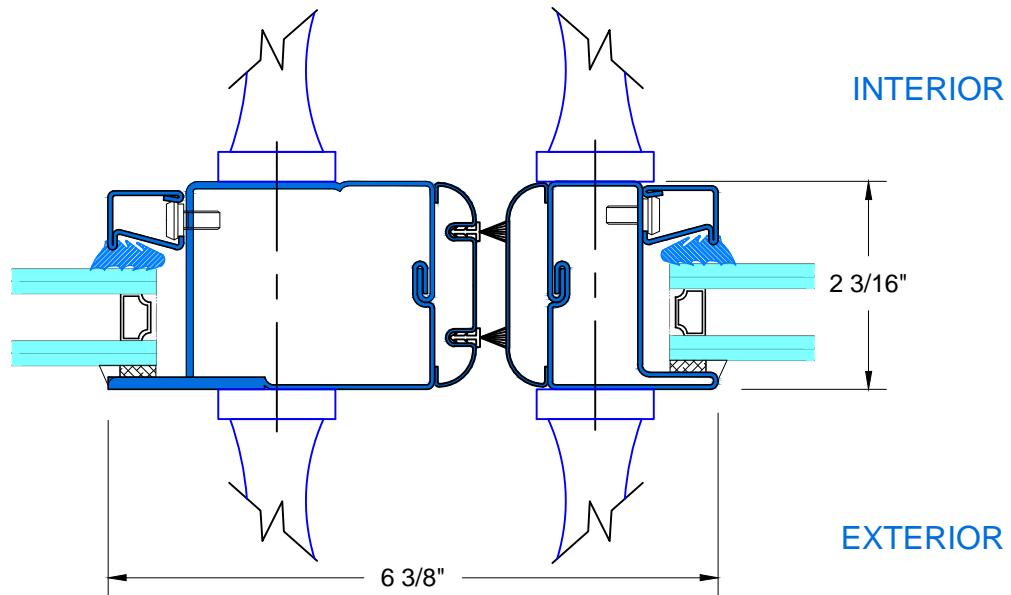


**H** TYPICAL DOUBLE MEETING RAIL

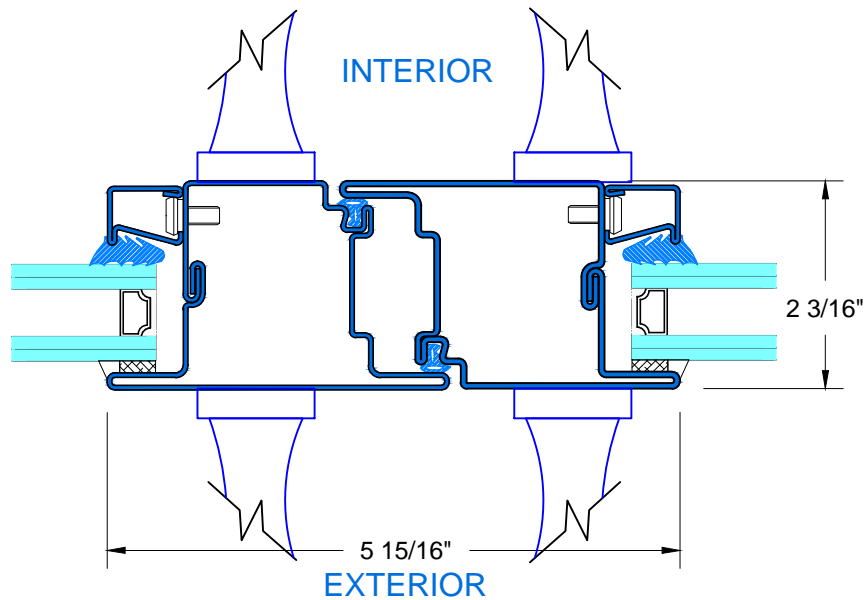


## Typical Details

OUTSWING DOORS / FIXED  
Scale: Half Scale



**J** TYPICAL FRENCH LOCKBOX

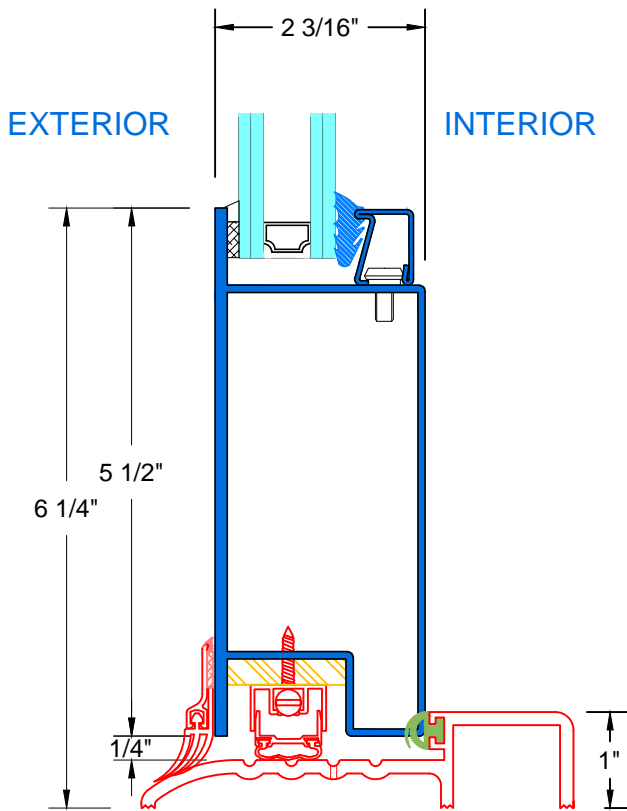


**K** TYPICAL FRENCH MEETING RAIL

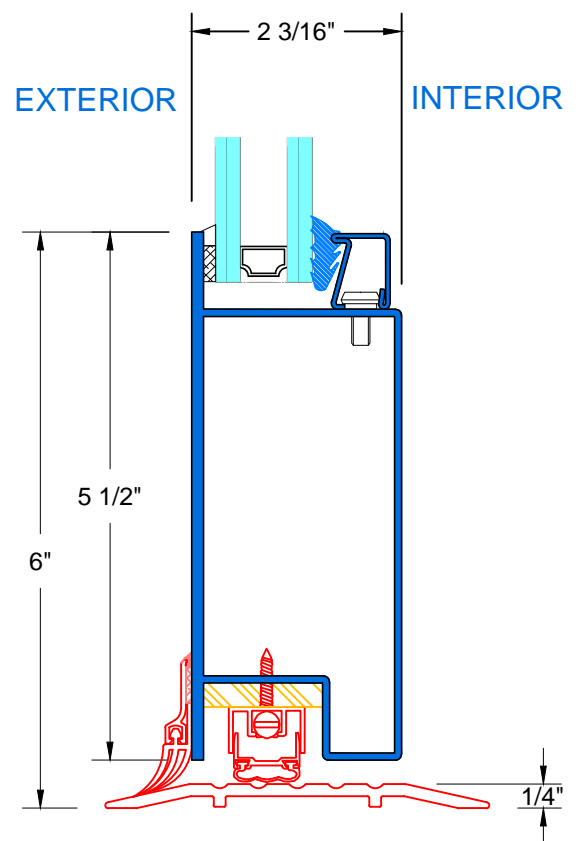


## Typical Details

OUTSWING DOORS / FIXED  
Scale: Half Scale



**L** TYPICAL KICKPLATE



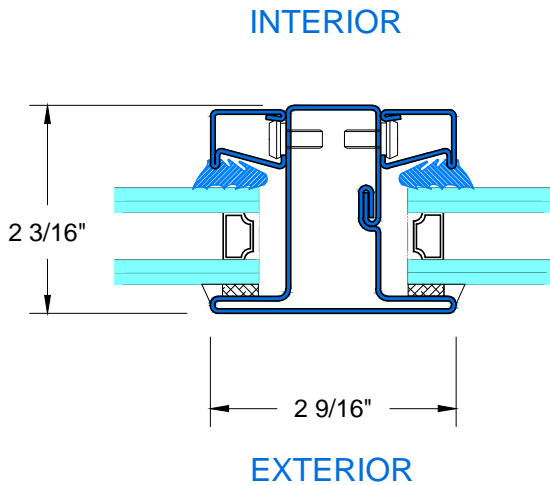
**M** TYPICAL COMMERCIAL KICKPLATE AND SADDLE



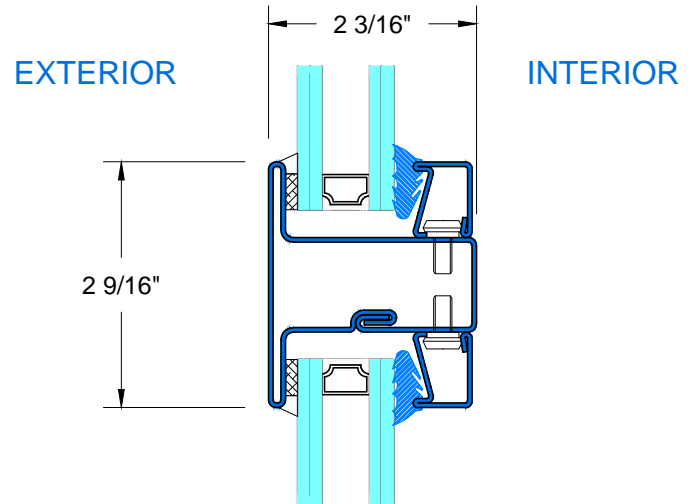
## Typical Details

OUTSWING DOORS / FIXED  
Scale: Half Scale

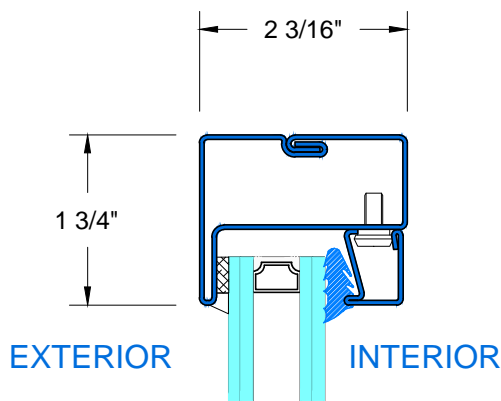
PAGE 7 OF 10



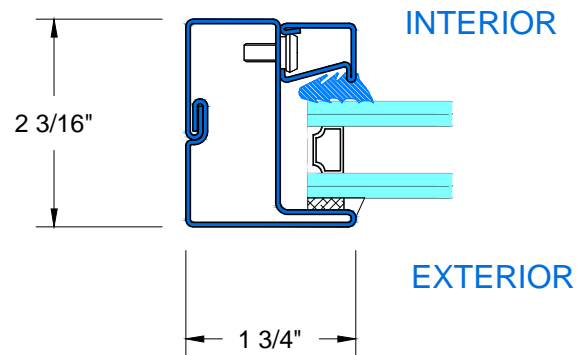
**N** TYPICAL VERTICAL MUNTIN



**P** TYPICAL HORIZONTAL MUNTIN



**Q&R** TYPICAL FIXED HEAD & SILL

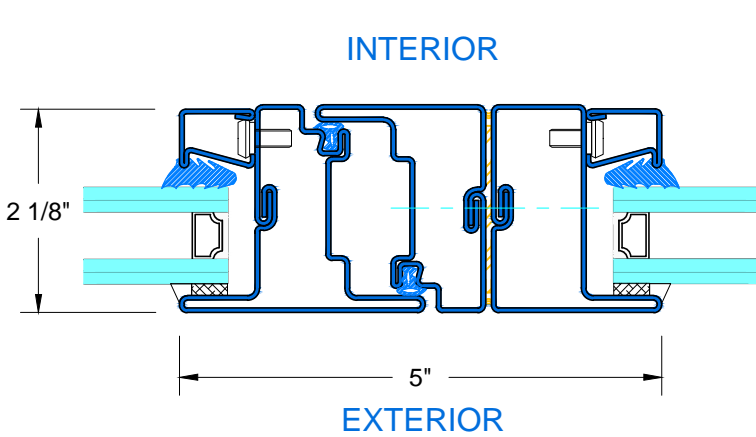


**S&T** TYPICAL FIXED JAMB

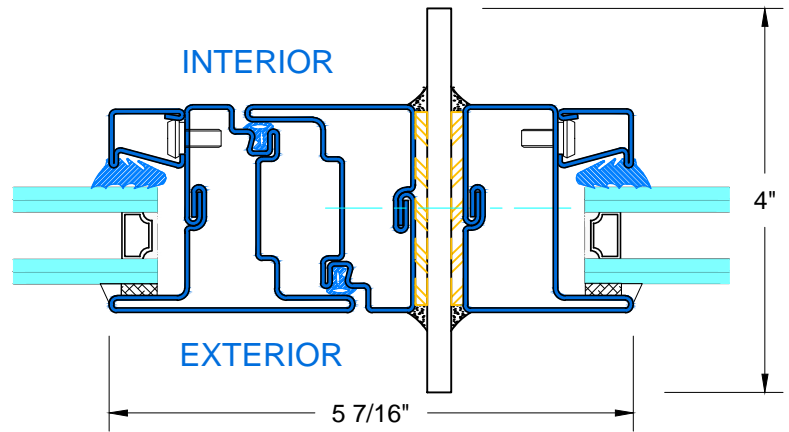
## Typical Details

OUTSWING DOORS / FIXED

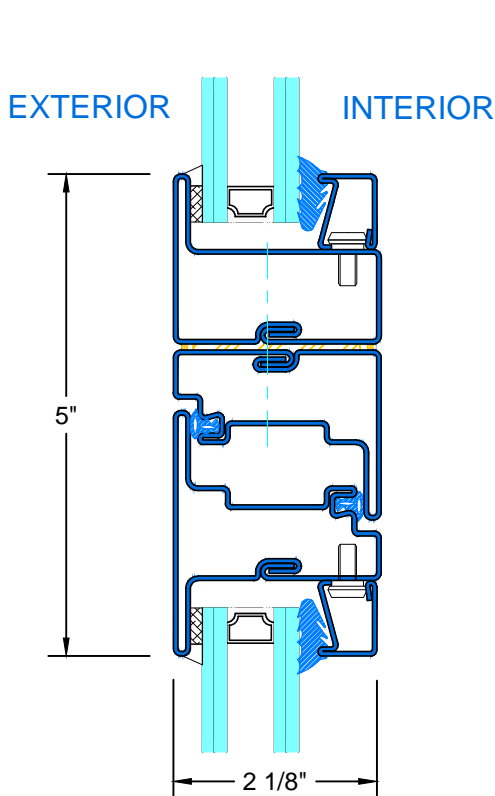
Scale: Half Scale



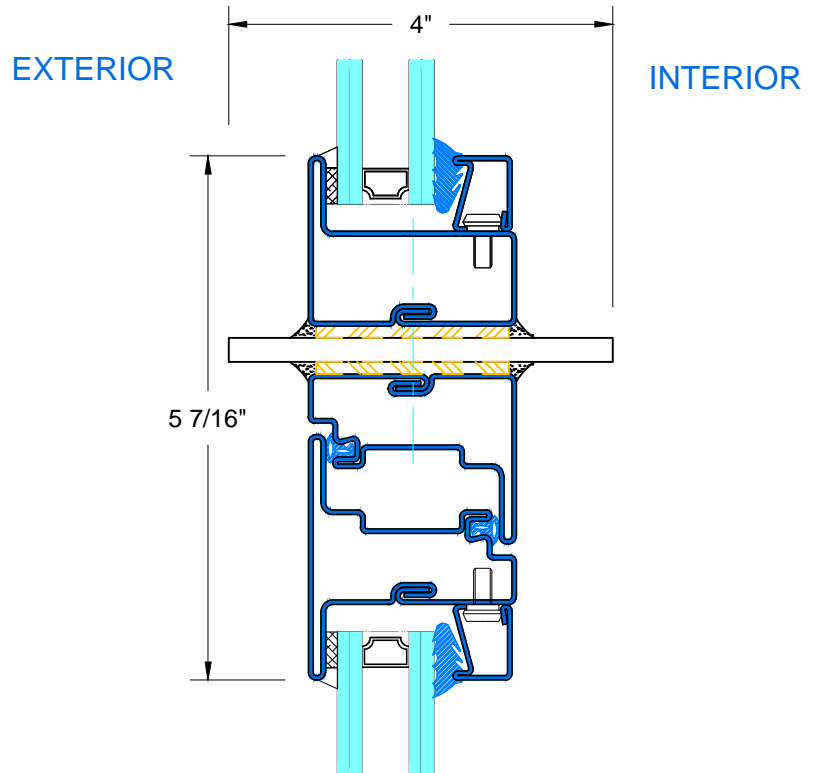
**V** TYPICAL JOINING SIDELITE



**W** TYPICAL JOINING MULLION



**X** TYPICAL STACKING TRANSOM



**Y** TYPICAL STACKING MULLION



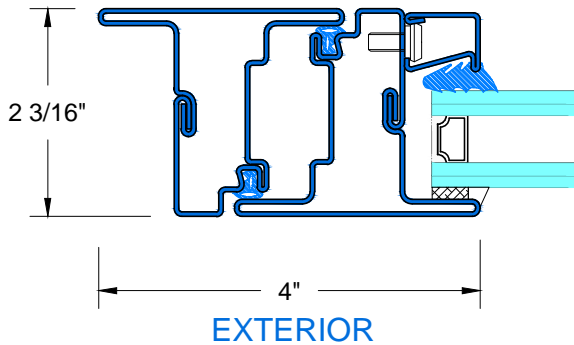


## Typical Details

OUTSWING DOORS / FIXED  
Scale: Half Scale

### OPTIONAL FLANGE FRAME

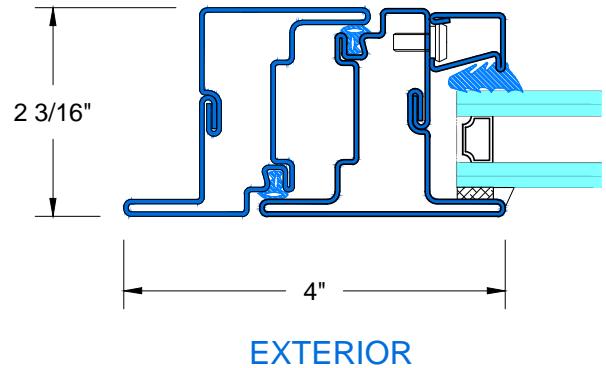
INTERIOR



1

**TYPICAL JAMB  
INTERIOR FLANGE**

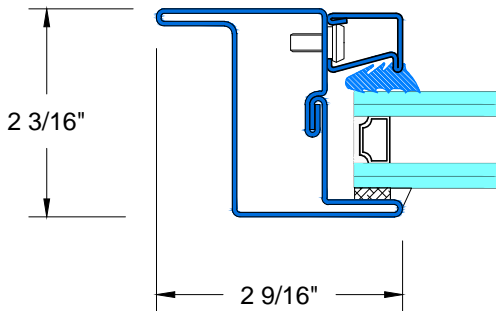
INTERIOR



2

**TYPICAL JAMB  
EXTERIOR FLANGE**

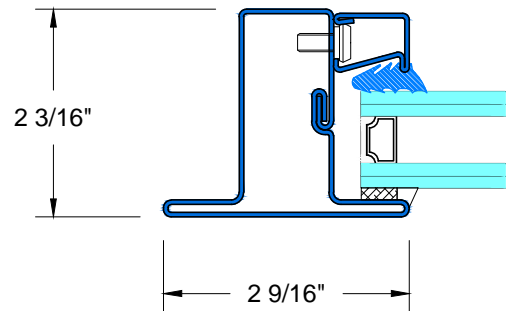
INTERIOR



3

**TYPICAL FIXED  
INTERIOR FLANGE**

INTERIOR



4

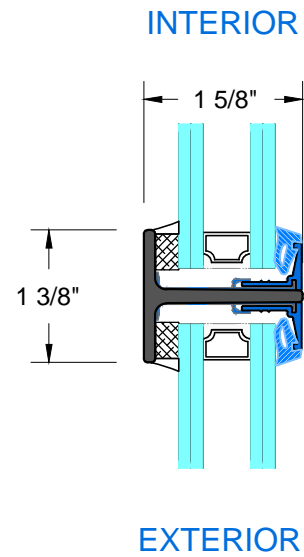
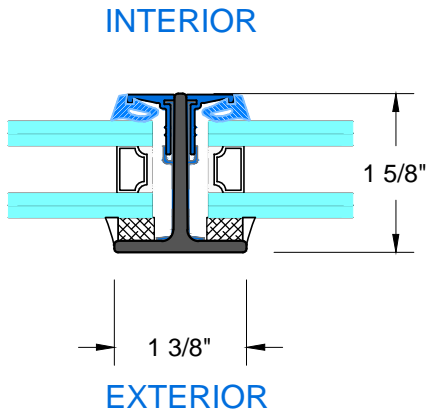
**TYPICAL FIXED  
EXTERIOR FLANGE**



## Typical Details

INSWING DOORS / FIXED  
Scale: Half Scale

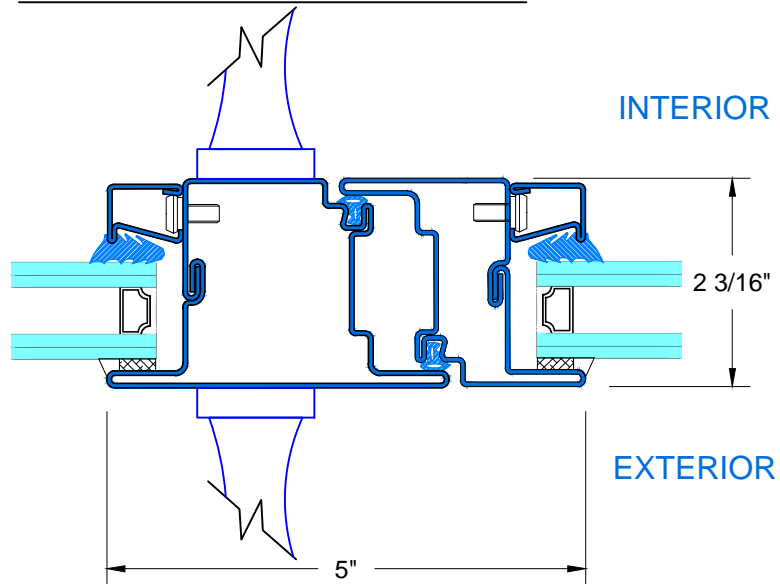
### OPTIONAL MUNTIN



### **N** TYPICAL VERTICAL MUNTIN

### **P** TYPICAL HORIZONTAL MUNTIN

### OPTIONAL MEETING RAIL



### **K** OPTIONAL FRENCH MEETING RAIL

