

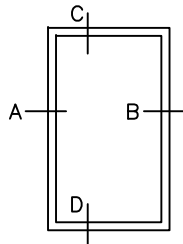
Typical Exterior Elevations

FIXED

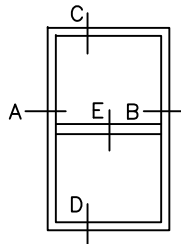
Scale: Not To Scale

680-FX SERIES

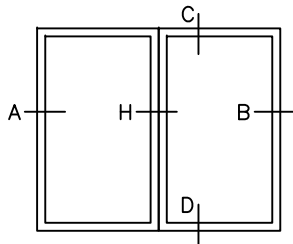
PAGE 1 OF 4



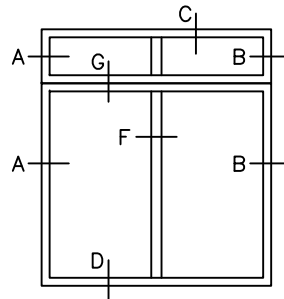
680-11-FX



680-12-FX



680-21-FX-FX



680-22-FX-FX



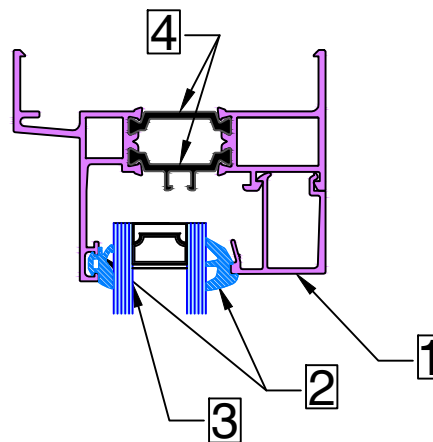
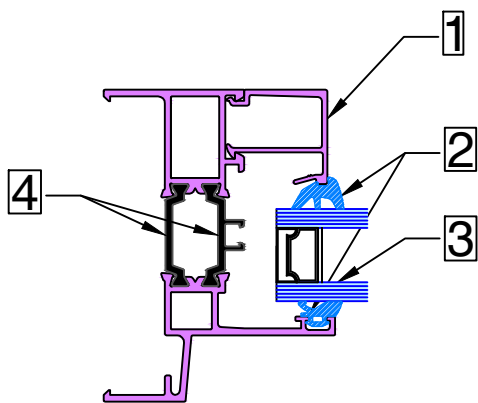
Typical Details

FIXED
Scale: Half Scale

PAGE 2 OF 4

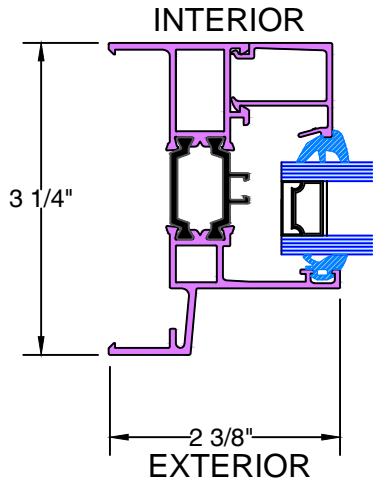
KEY (TYPICAL)

1. SNAP IN ALUMINUM GLAZING BEAD
2. WEDGE GASKET
3. 1" GLASS AND GLAZING (BY OTHERS)
4. THERMAL BREAK

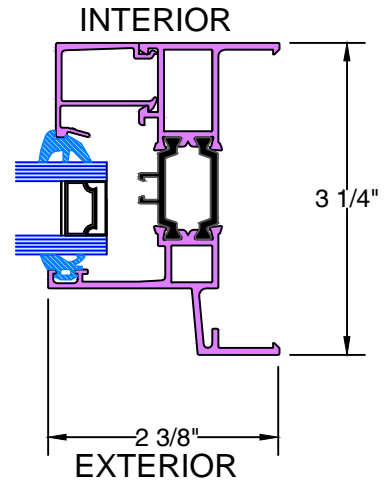


Typical Details

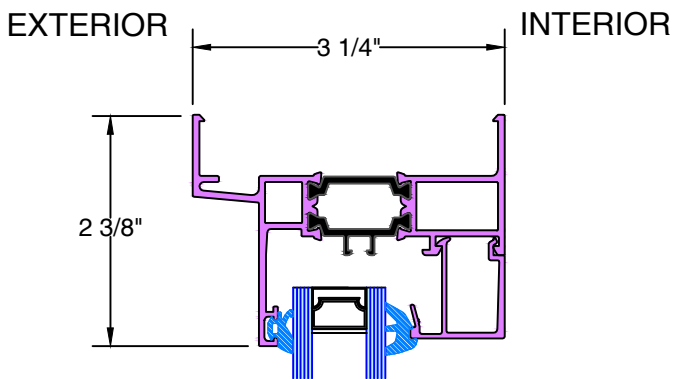
FIXED
Scale: Half Scale



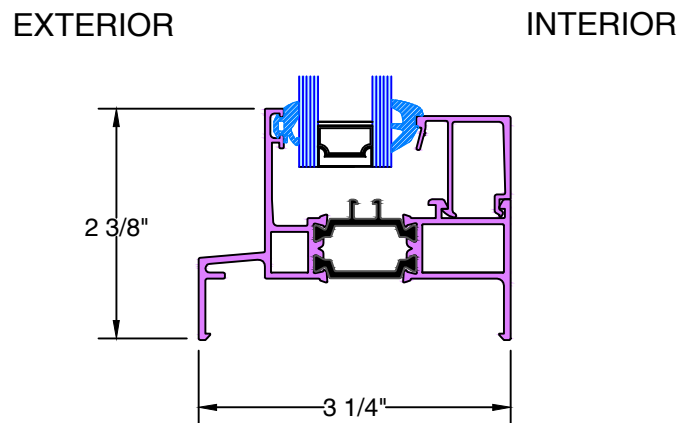
A ——— **TYPICAL JAMB**



B ——— **TYPICAL JAMB**



C ——— **TYPICAL HEAD**

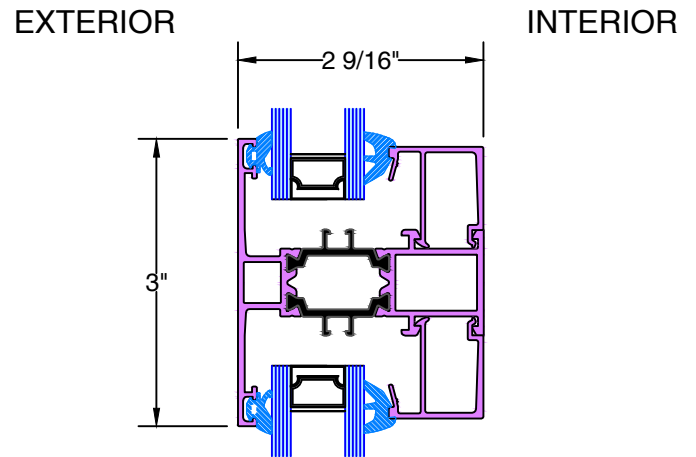
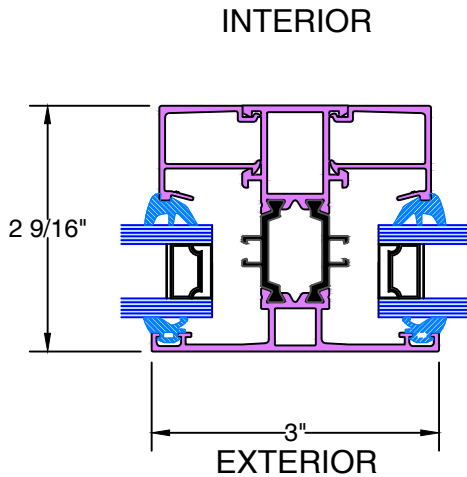


D ——— **TYPICAL SILL**



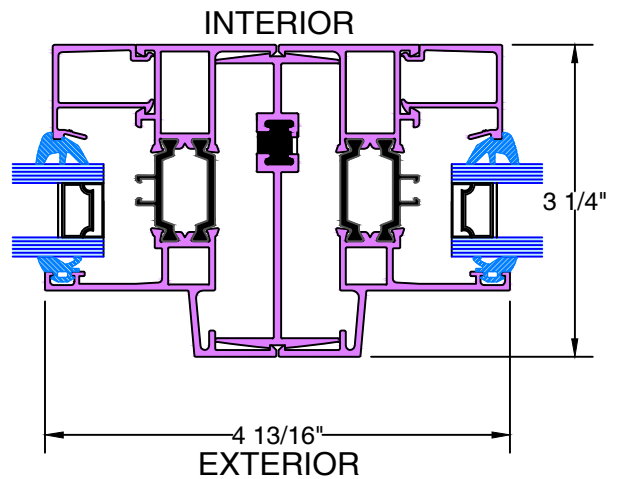
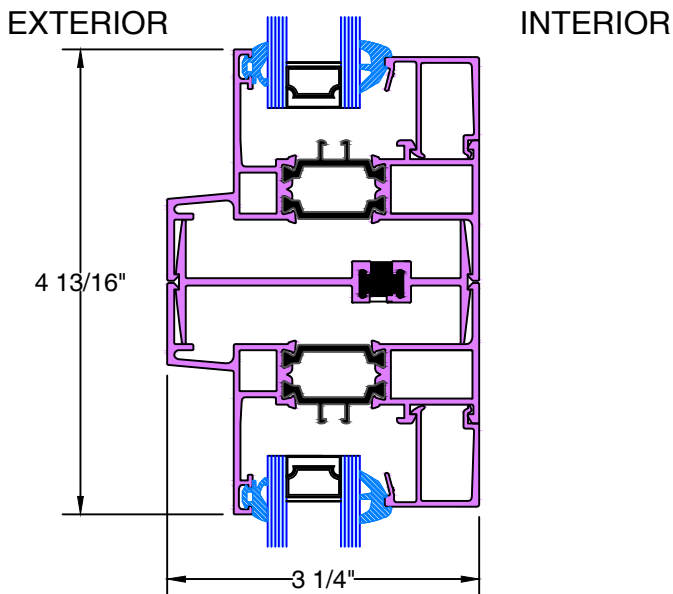
Typical Details

FIXED
Scale: Half Scale



E TYPICAL VERTICAL MUNTIN

F TYPICAL HORIZONTAL MUNTIN



G TYPICAL STACKING MULLION

H TYPICAL JOINING MULLION

