

# DETENTION

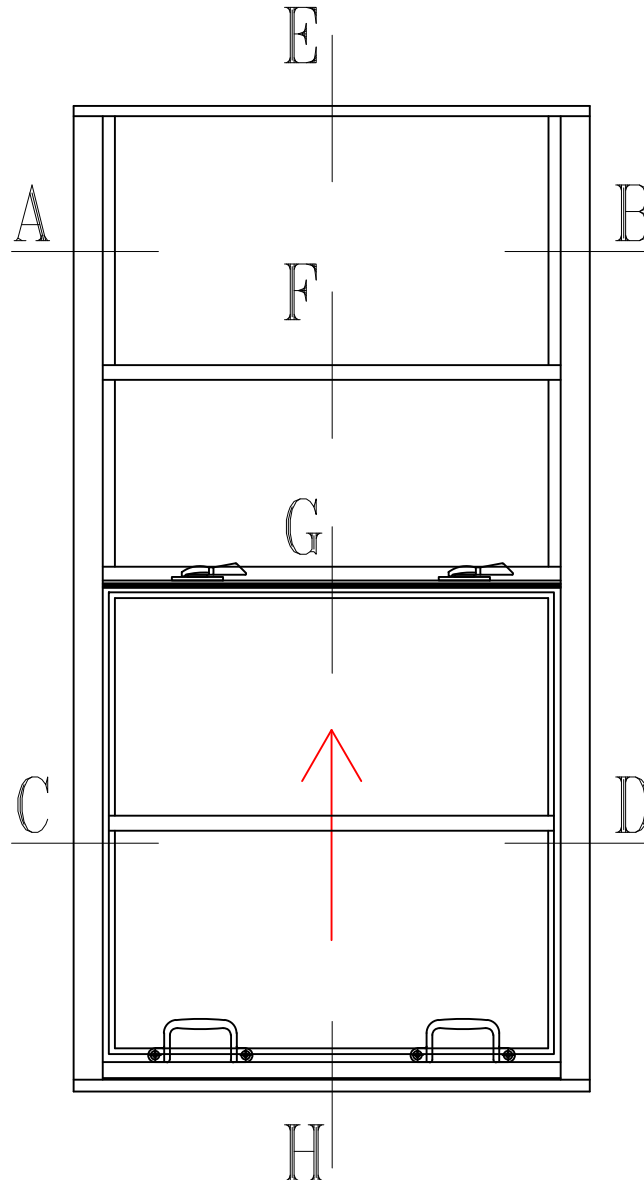
# DET4700-DSH SERIES

Typical Interior Elevations

True Single Hung  
Scale: Not To Scale

Hot Rolled Steel  
Up To 1" Insulated Glass

PAGE 1 OF 4



28 Canal Street, Ellenville, NY 12428  
Phone (845) 647-1900

# DETENTION

# DET4700-DSH SERIES

## Typical Details

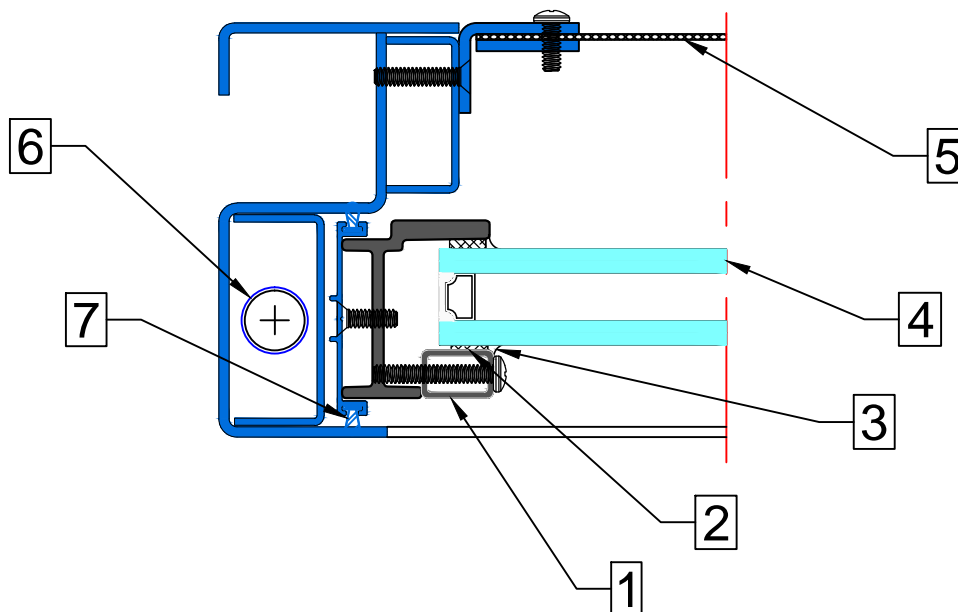
True Single Hung  
Scale: Half Scale

Hot Rolled Steel  
Up To 1" Insulated Glass

PAGE 2 OF 4

## KEY (TYPICAL)

1. Steel glazing bead (by OWM)
2. Foam glazing tape (by OWM)
3. Silicone cap bead (by OWM)
4. M-1 glass 1" overall thickness (by OWM)
5. Stainless steel screen mesh (by OWM)
6. Balancer
7. Weather stripping (by OWM)



28 Canal Street, Ellenville, NY 12428  
Phone (845) 647-1900

# DETENTION

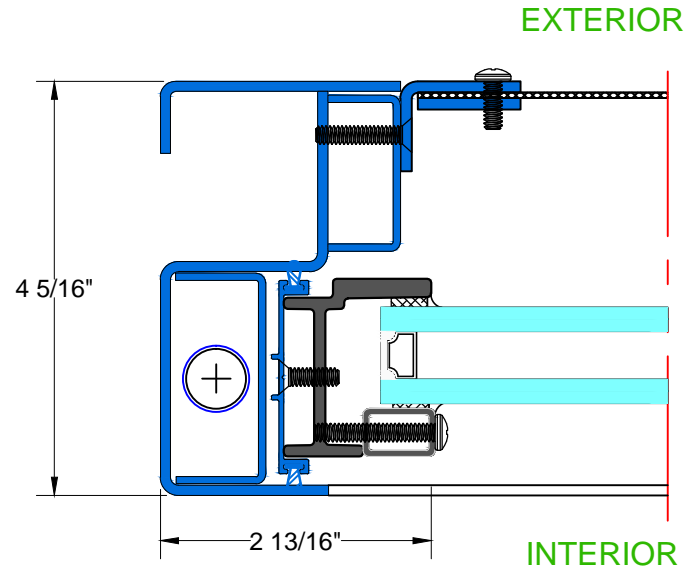
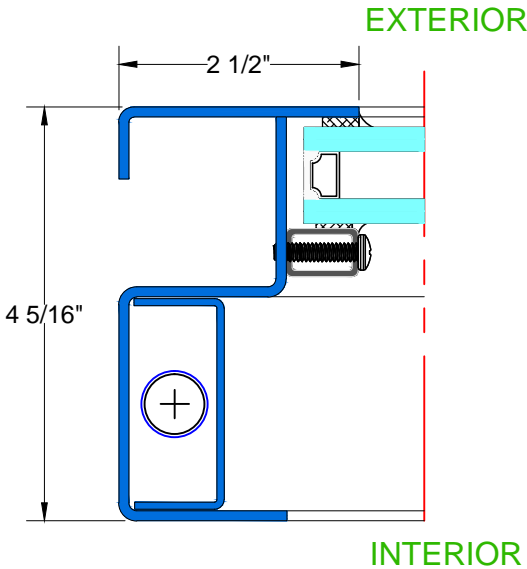
# DET4700-DSH SERIES

## Typical Details

True Single Hung  
Scale: Half Scale

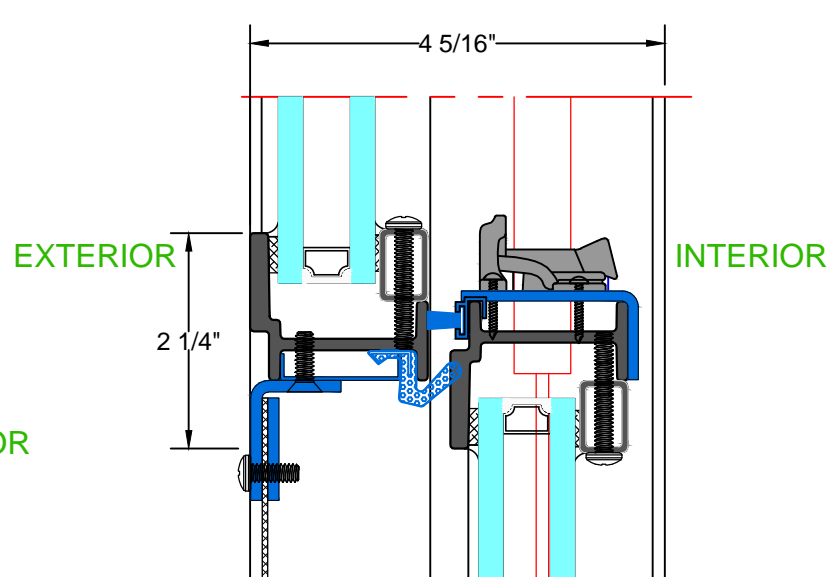
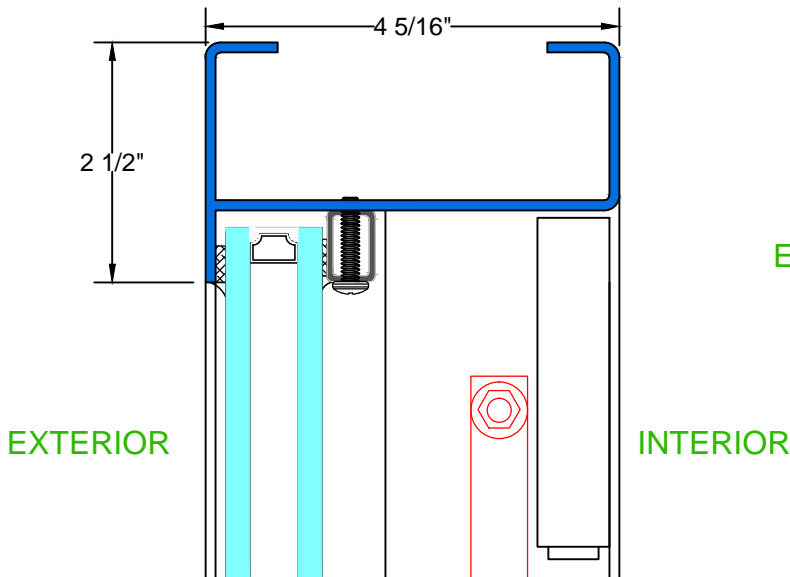
Hot Rolled Steel  
Up To 1" Insulated Glass

PAGE 3 OF 4



**A&B** TYPICAL  
FIXED JAMB

**C&D** TYPICAL  
OPERABLE JAMB



**E** TYPICAL  
HEAD

**F** TYPICAL  
HEAD W/ TRANSOM



# DETENTION

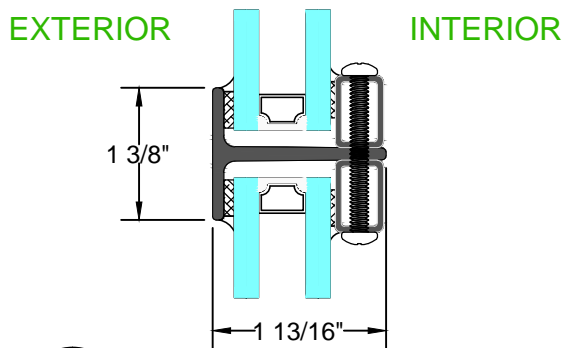
# DET4700-DSH SERIES

## Typical Details

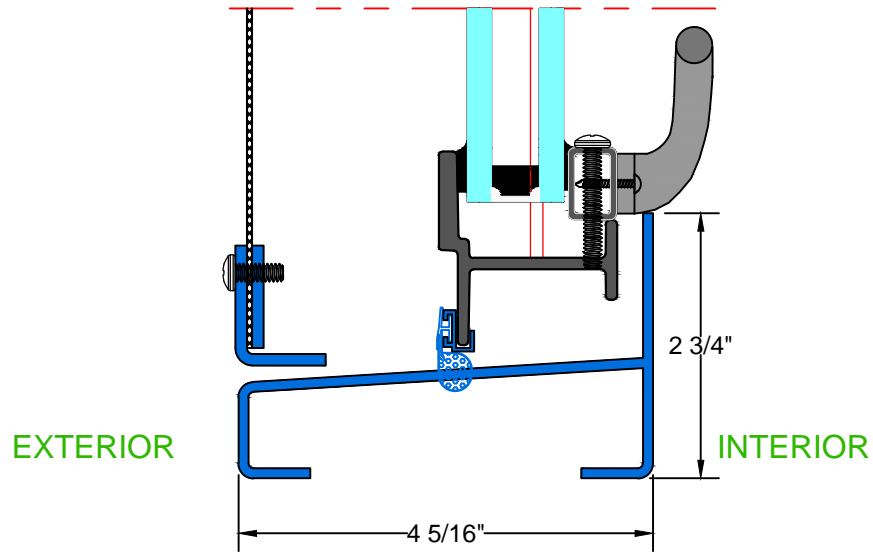
True Single Hung  
Scale: Half Scale

Hot Rolled Steel  
Up To 1" Insulated Glass

PAGE 4 OF 4



**G** TYPICAL HORIZONTAL MUNTIN



**H** TYPICAL SEAL



28 Canal Street, Ellenville, NY 12428  
Phone (845) 647-1900