

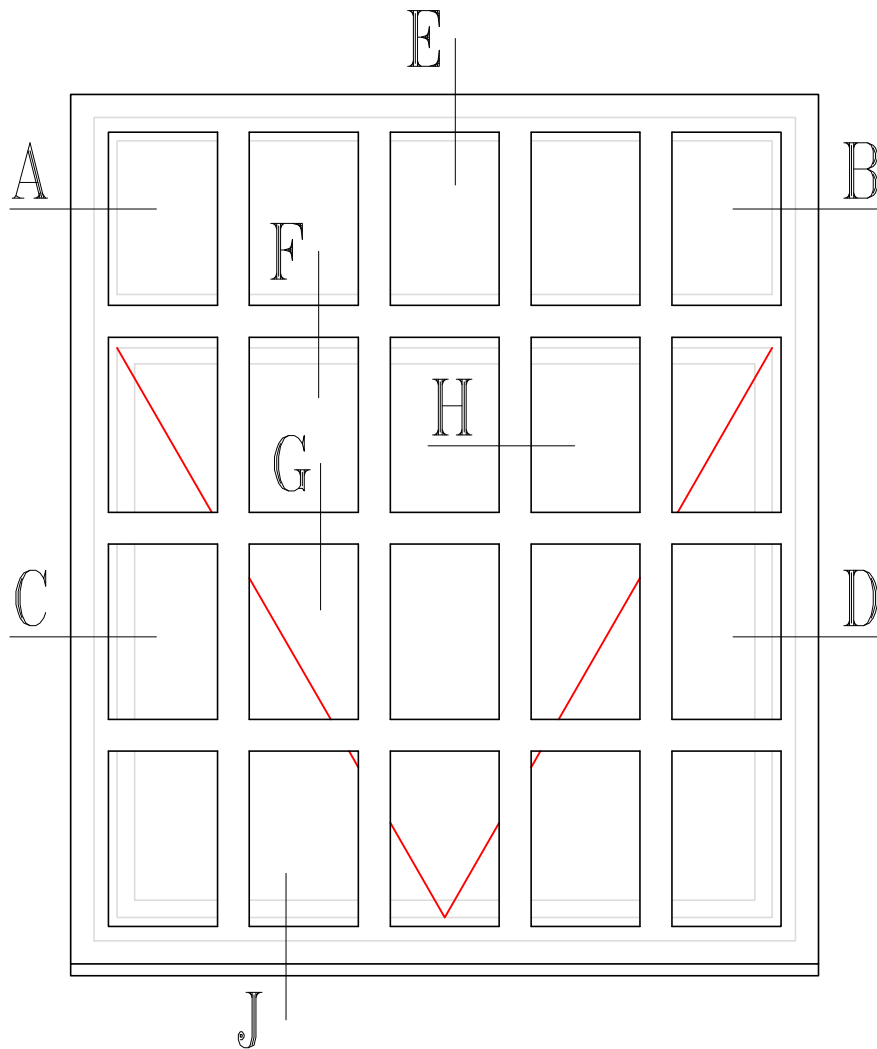
DETENTION

Typical Exterior Elevations

DET4700 SERIES

Scale: Not To Scale

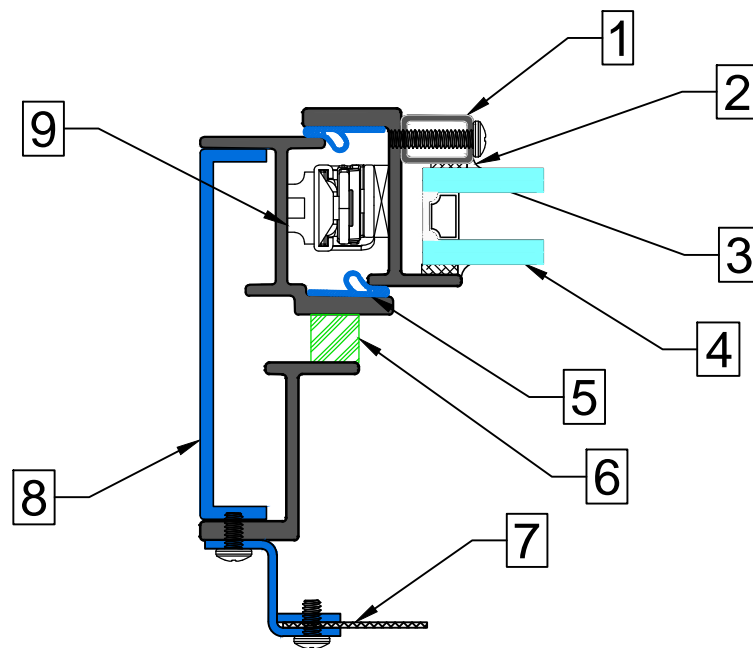
PAGE 1 OF 4



28 Canal Street, Ellenville, NY 12428
Phone (845) 647-1900

KEY (TYPICAL)

1. Steel glazing bead (by OWM)
2. Silicone cap bead (by OWM)
3. Foam glazing tape (by OWM)
4. M-1 glass 1" overall thickness (by OWM)
5. Weather stripping (by OWM)
6. $\frac{1}{2}$ " x $\frac{1}{2}$ " steel bar
7. Stainless steel screen mesh (by OWM)
8. Perimeter channel
9. Stainless steel 4-bar hinge



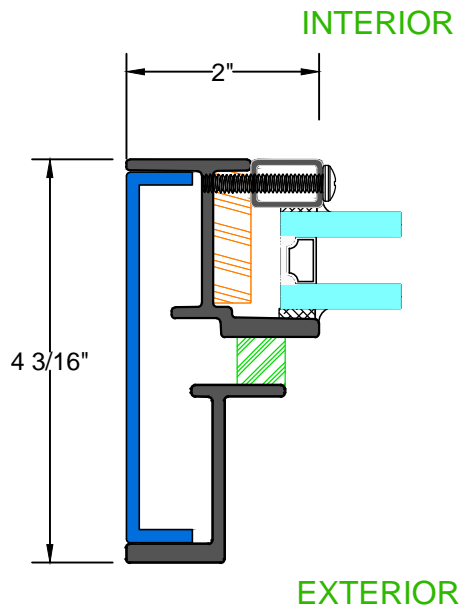
DETENTION

DET4700 SERIES

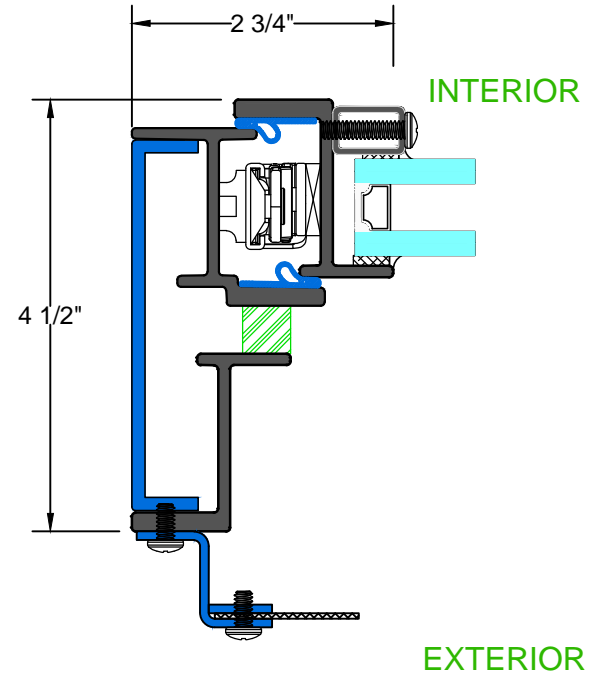
Typical Details

Scale: Half Scale

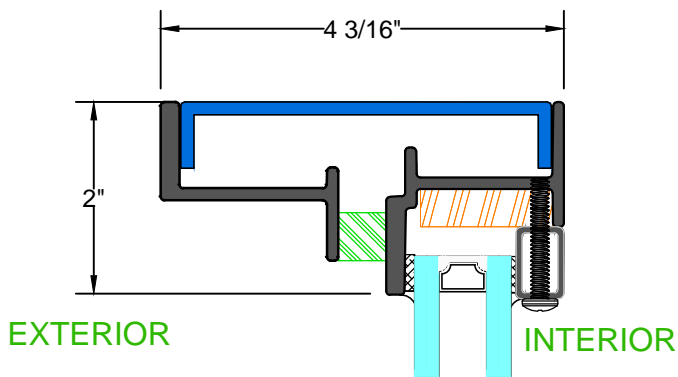
PAGE 3 OF 4



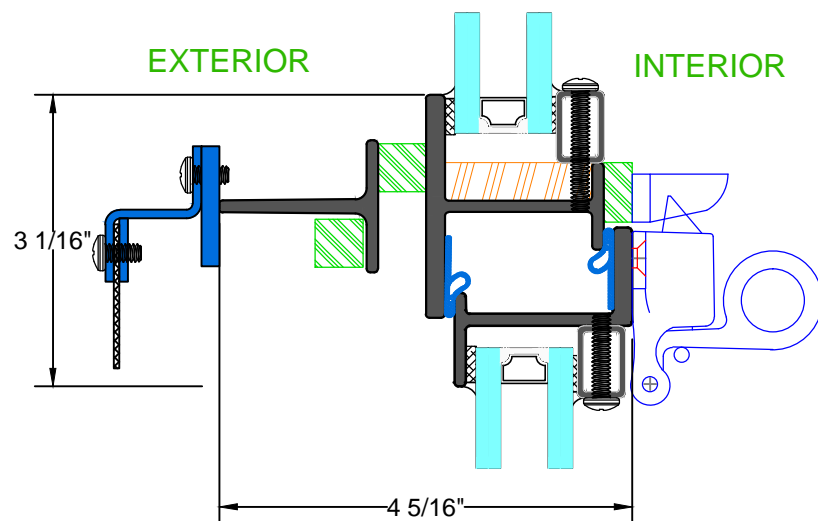
A&B TYPICAL
FIXED JAMB



C&D TYPICAL
OPERABLE JAMB



E TYPICAL
HEAD



F TYPICAL
HEAD W/ TRANSOM



DETENTION

Typical Details

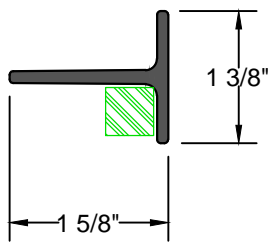
DET4700 SERIES

Scale: Half Scale

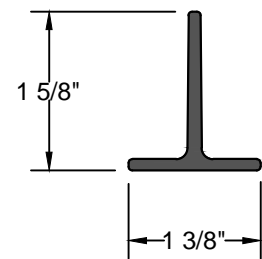
PAGE 4 OF 4

EXTERIOR

INTERIOR



EXTERIOR



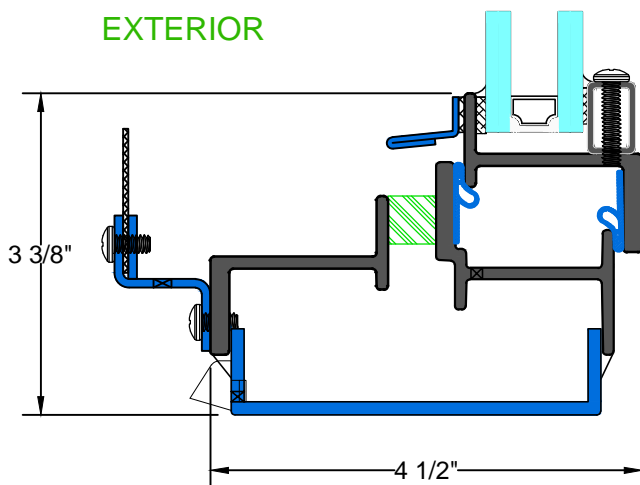
INTERIOR

G TYPICAL HORIZONTAL GRILLE MUNTIN

H TYPICAL VERTICAL GRILLE MUNTIN

EXTERIOR

INTERIOR



J TYPICAL SILL



28 Canal Street, Ellenville, NY 12428
Phone (845) 647-1900