

FIRE

TYPICAL EXTERIOR ELEVATIONS

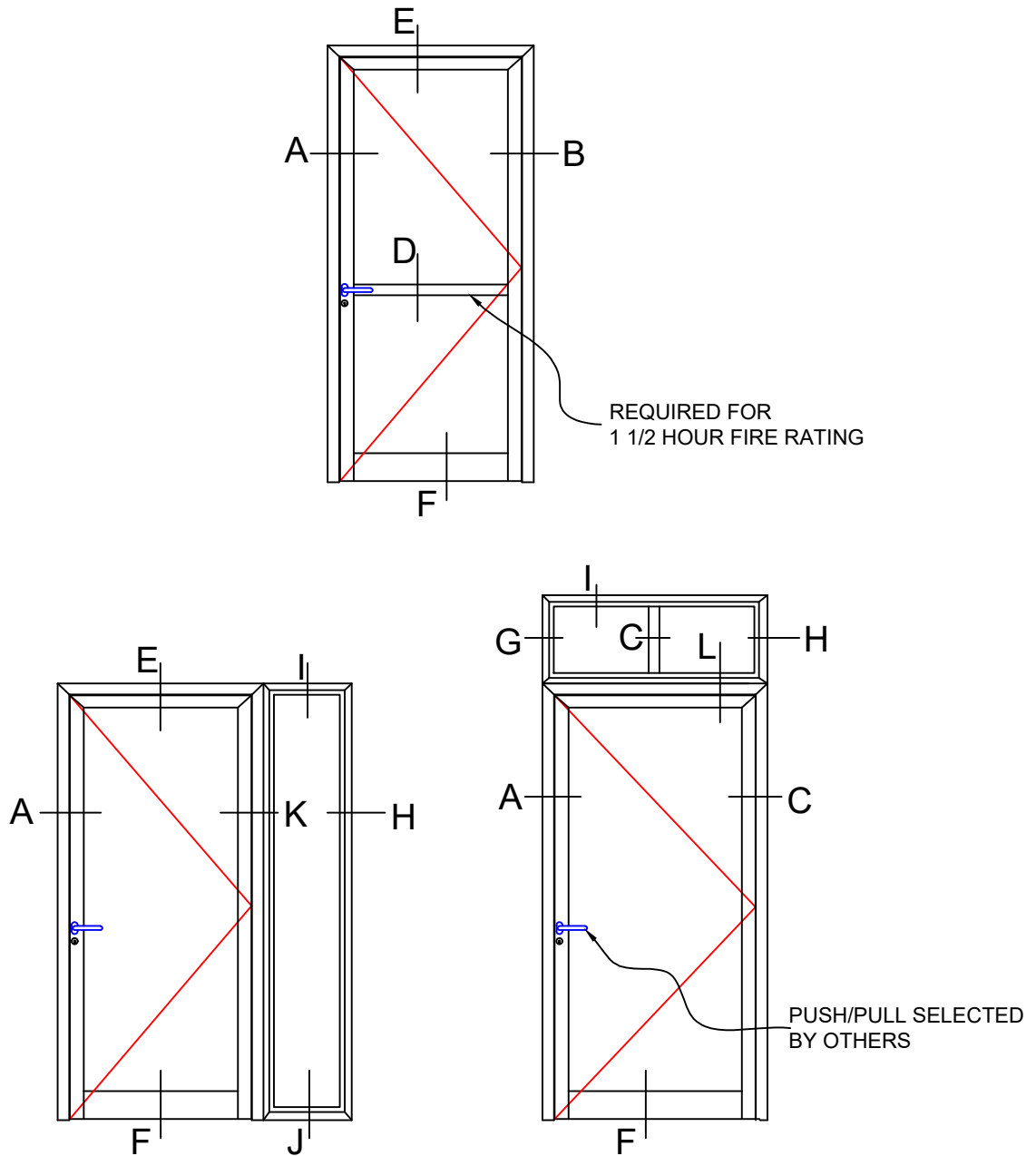
FR-55-ID SERIES

Scale: Not To Scale

UL APPROVED AND CERTIFIED
SELF-CLOSING OUTSWING DOOR

PAGE 1 OF 6

3/4 HOUR TO 1 1/2 HOUR FIRE RATED WHEN GLAZED WITH APPROPRIATE UL APPROVED GLAZING



28 Canal Street, Ellenville, NY 12428
Phone (845) 647-1900

FIRE

FR-55-ID_{SERIES}

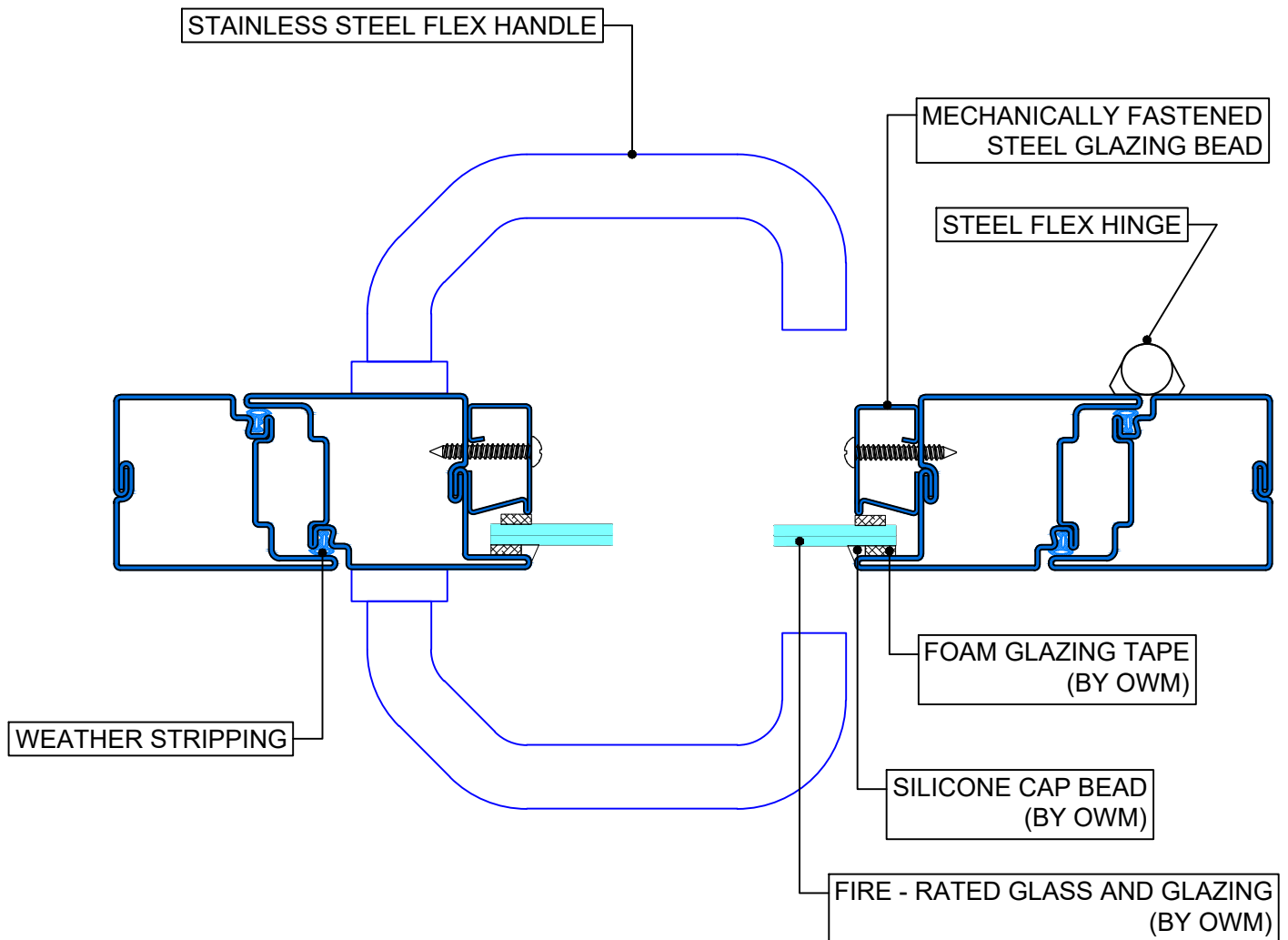
KEY TYPICAL

Scale: 1:2

UL APPROVED AND CERTIFIED
SELF-CLOSING OUTSWING DOOR

PAGE 2 OF 6

3/4 HOUR TO 1 1/2 HOUR FIRE RATED WHEN GLAZED WITH APPROPRIATE UL APPROVED GLAZING



28 Canal Street, Ellenville, NY 12428
Phone (845) 647-1900

FIRE

TYPICAL DETAILS

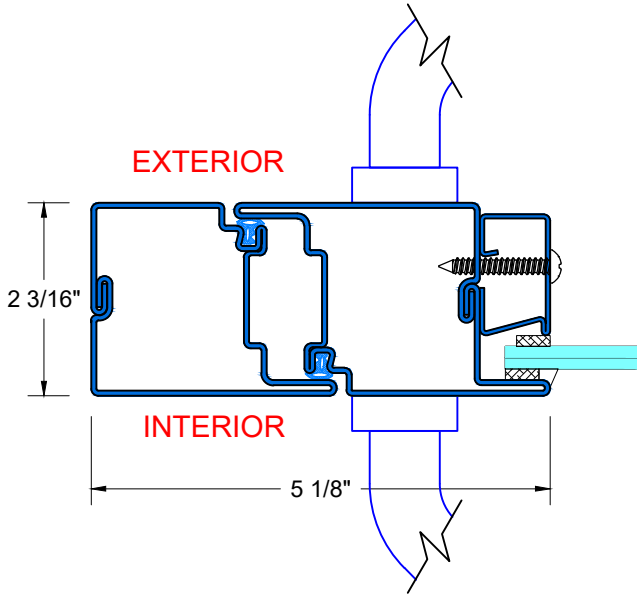
Scale: 1:2

FR-55-ID_{SERIES}

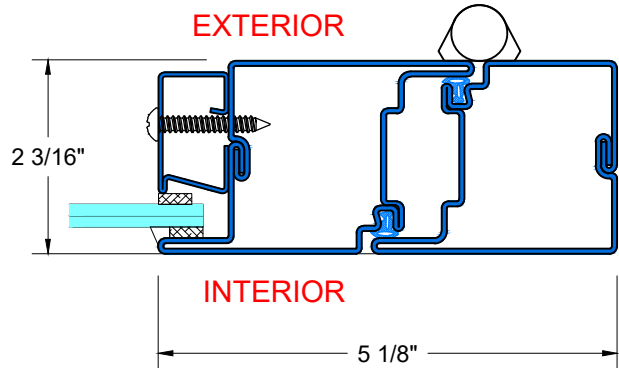
PAGE 3 OF 6

UL APPROVED AND CERTIFIED
SELF-CLOSING OUTSWING DOOR

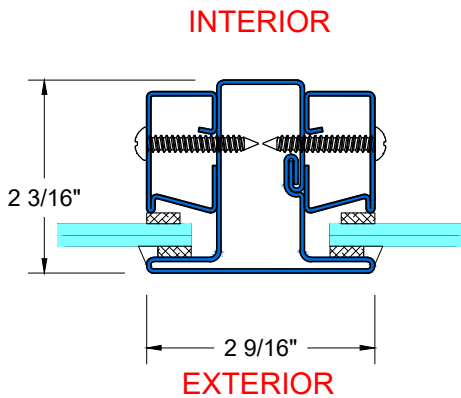
3/4 HOUR TO 1 1/2 HOUR FIRE RATED WHEN GLAZED WITH APPROPRIATE UL APPROVED GLAZING



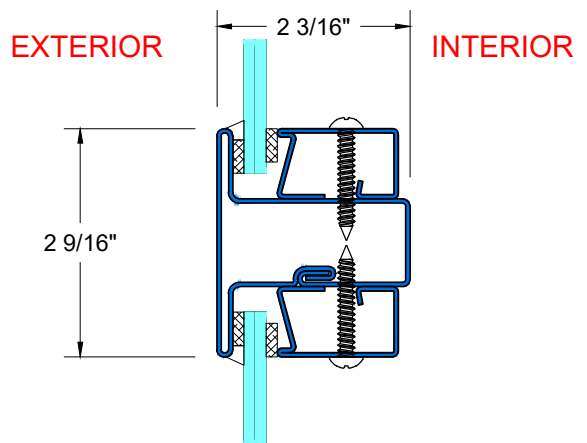
A TYPICAL
LOCKING JAMB



B TYPICAL
HINGED JAMB



C TYPICAL
VERTICAL MUNTIN



D TYPICAL
HORIZONTAL MUNTIN



28 Canal Street, Ellenville, NY 12428
Phone (845) 647-1900

FIRE

TYPICAL DETAILS

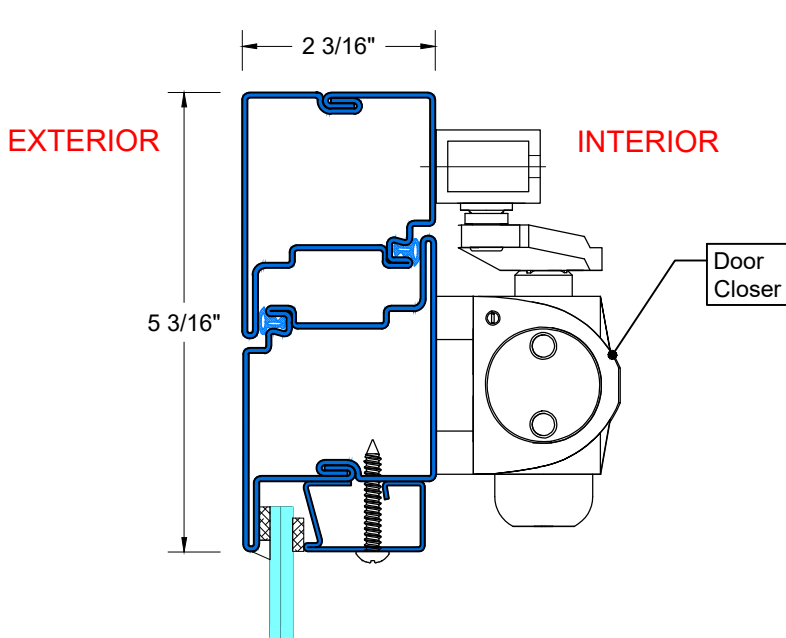
Scale: 1:2

FR-55-ID SERIES

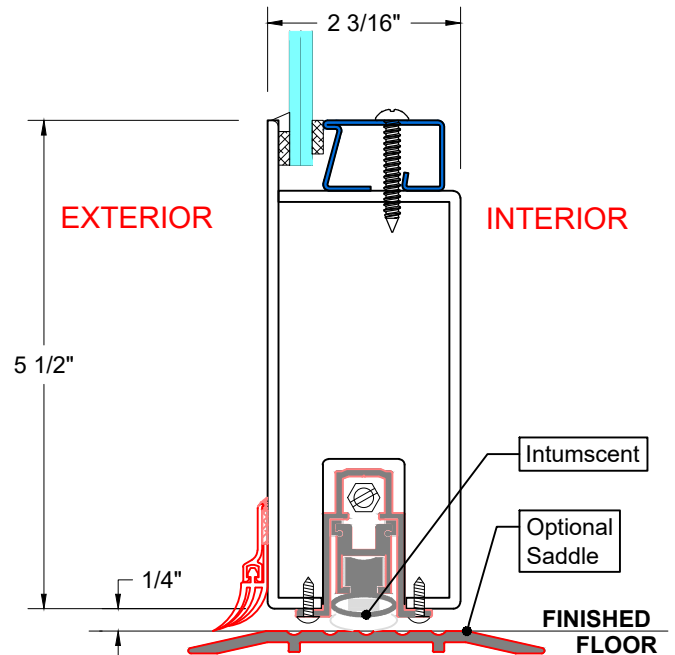
PAGE 4 OF 6

UL APPROVED AND CERTIFIED
SELF-CLOSING OUTSWING DOOR

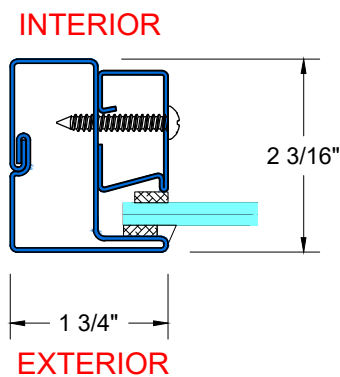
3/4 HOUR TO 1 1/2 HOUR FIRE RATED WHEN GLAZED WITH APPROPRIATE UL APPROVED GLAZING



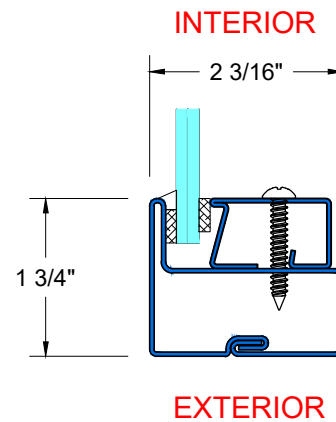
E TYPICAL HEAD
W/ DOOR CLOSURE



F TYPICAL
KICKPLATE



G&H TYPICAL
FIXED JAMB



I&J TYPICAL FIXED
HEAD & SILL



28 Canal Street, Ellenville, NY 12428
Phone (845) 647-1900

FIRE

TYPICAL DETAILS

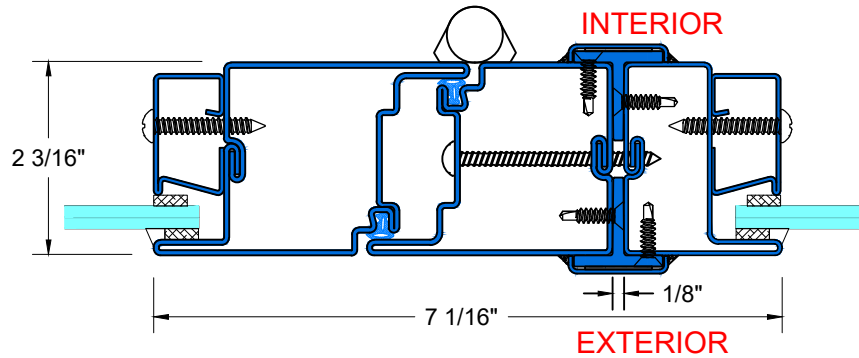
Scale: 1:2

FR-55-ID_{SERIES}

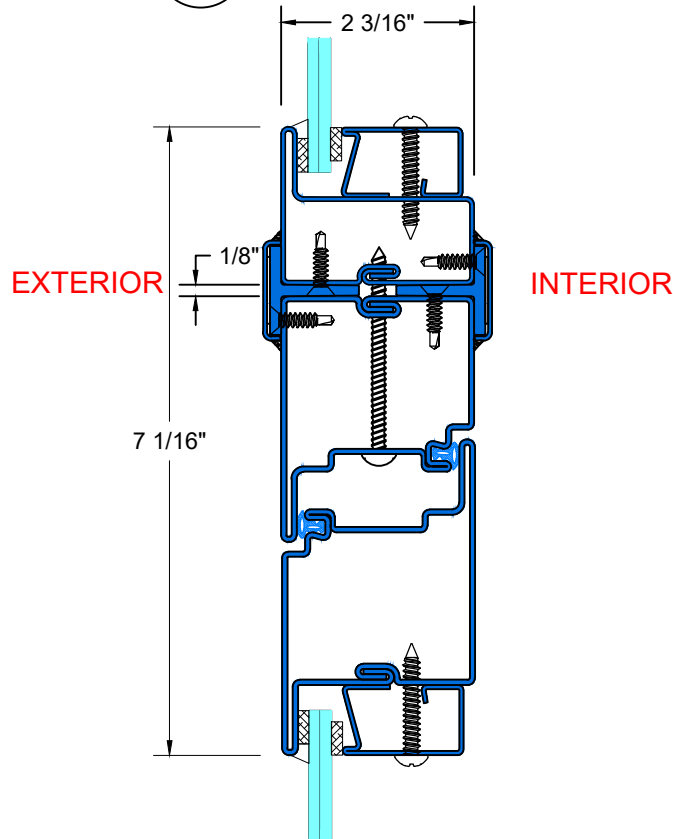
PAGE 5 OF 6

UL APPROVED AND CERTIFIED
SELF-CLOSING OUTSWING DOOR

3/4 HOUR TO 1 1/2 HOUR FIRE RATED WHEN GLAZED WITH APPROPRIATE UL APPROVED GLAZING



K TYPICAL JOINING SIDELITE/DOOR



L TYPICAL STACKING TRANSOM/DOOR



28 Canal Street, Ellenville, NY 12428
Phone (845) 647-1900

FIRE

TYPICAL DETAILS

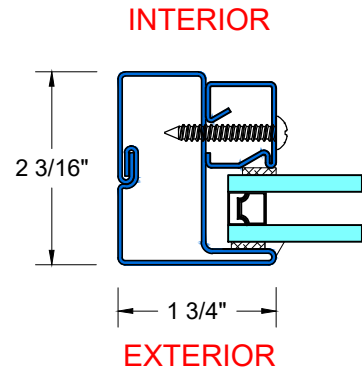
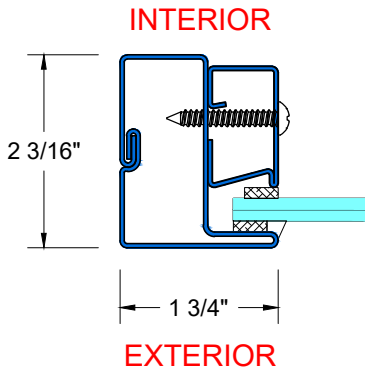
Scale: 1:2

FR-55-ID_{SERIES}

PAGE 6 OF 6

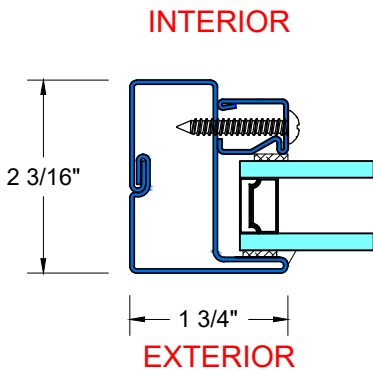
UL APPROVED AND CERTIFIED
SELF-CLOSING OUTSWING DOOR

3/4 HOUR TO 1 1/2 HOUR FIRE RATED WHEN GLAZED WITH APPROPRIATE UL APPROVED GLAZING



1 — **1/4" FIRE RATED GLASS**

2 — **3/4" FIRE RATED GLASS**



3 — **1" FIRE RATED GLASS**



28 Canal Street, Ellenville, NY 12428
Phone (845) 647-1900