

FLEX

# Typical Exterior Elevations

# 5500-BF-HD SERIES

HEAVY DUTY BI-FOLD DOOR

Scale: Not To Scale

Non-Thermally Broken

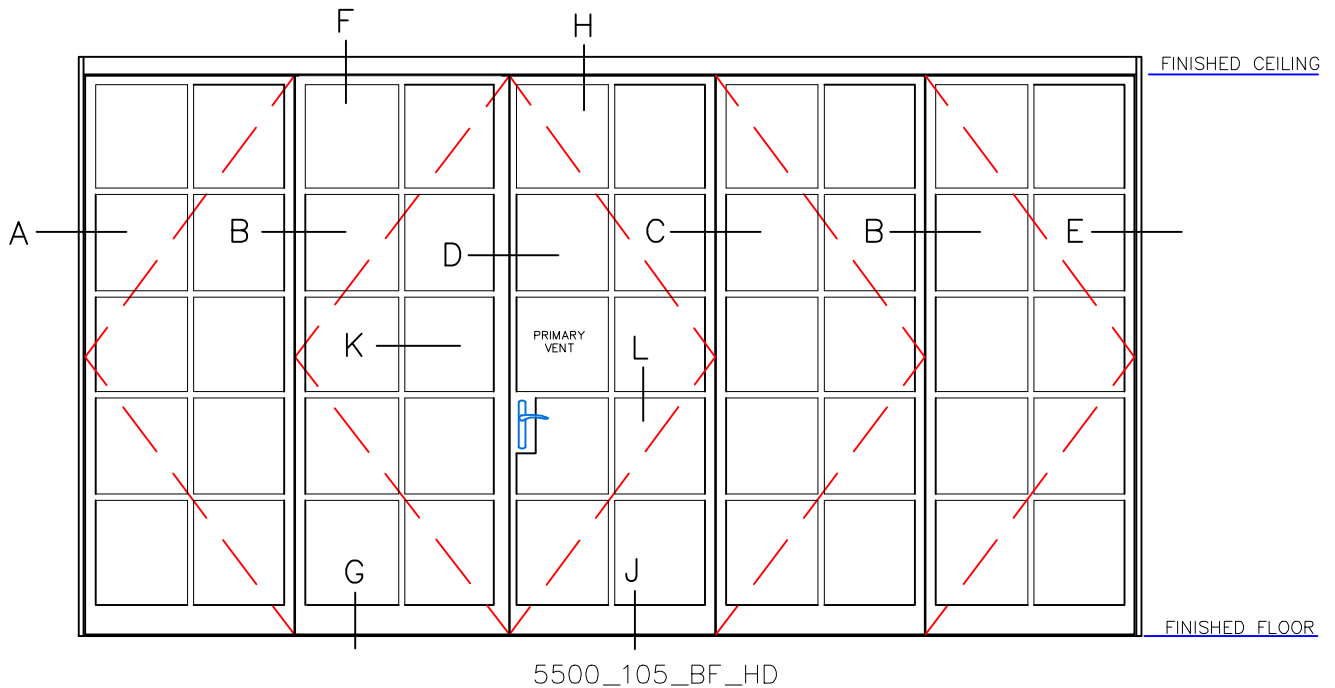
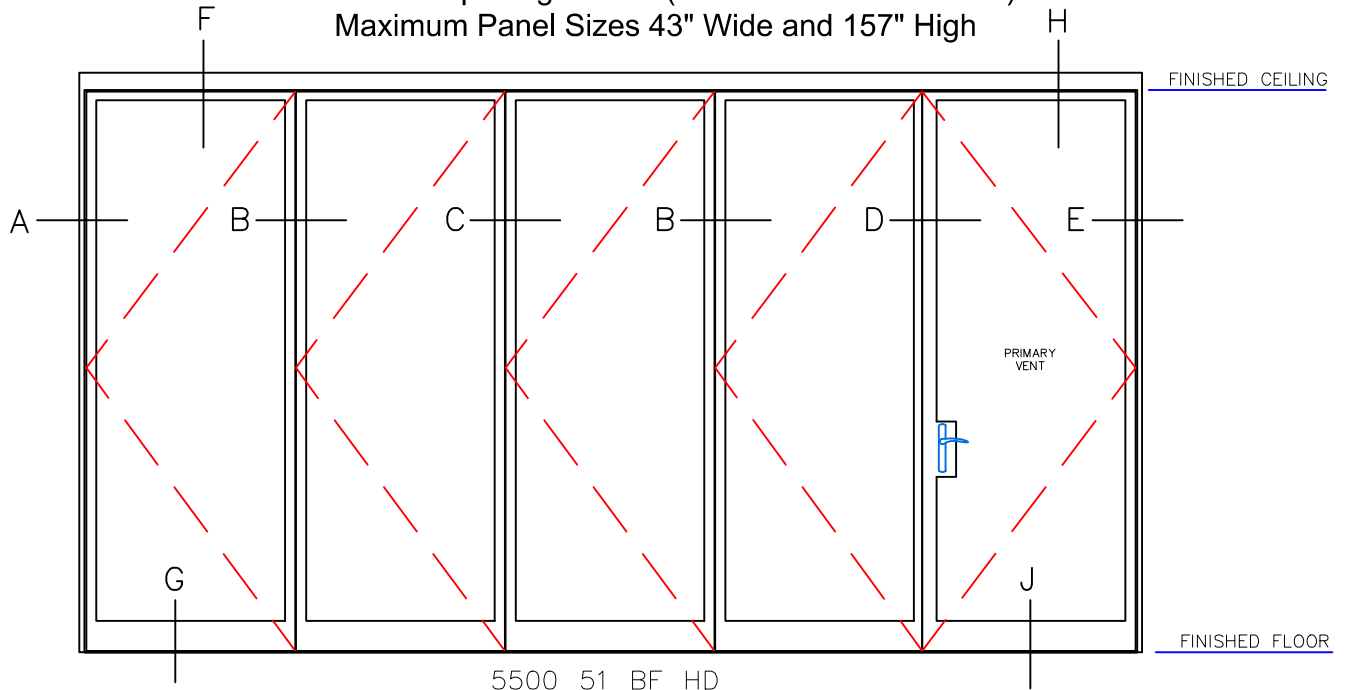
Cold Rolled Steel

Up To 1" Insulated Glass

PAGE 1 OF 8

Maximum Opening 57 feet (8 Panels Each Direction)

Maximum Panel Sizes 43" Wide and 157" High



28 Canal Street, Ellenville, NY 12428  
Phone (845) 647-1900

# FLEX

# 5500-BF-HD SERIES

## Typical Details

### HEAVY DUTY BI-FOLD DOOR

Scale: Half Scale

Non-Thermally Broken

Cold Rolled Steel

Up To 1" Insulated Glass

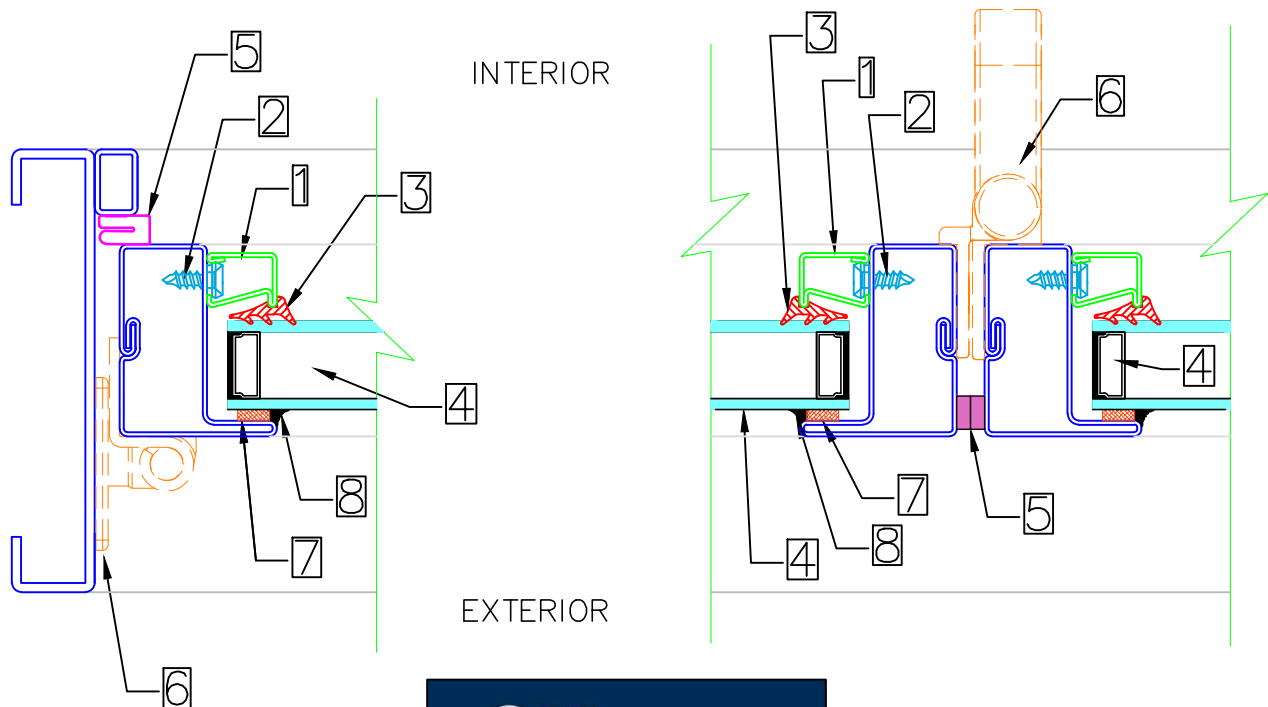
Maximum Opening 57 feet (8 Panels Each Direction)

Maximum Panel Sizes 43" Wide and 157" High

PAGE 2 OF 8

## KEY (TYPICAL)

1. STEEL GLAZING BEAD
2. SNAP FASTENER
3. WEDGE GASKET
4. GLASS AND GLAZING (BY OTHERS)
5. WEATHER STRIPPING
6. BI-FOLD DOOR HARDWARE
7. GLAZING TAPE (BY OTHERS)
8. SILICONE CAP BEAD (BY OTHERS)



28 Canal Street, Ellenville, NY 12428  
Phone (845) 647-1900

FLEX

# 5500-BF-HD SERIES

## Typical Details

### HEAVY DUTY BI-FOLD DOOR

Scale: Half Scale

Non-Thermally Broken

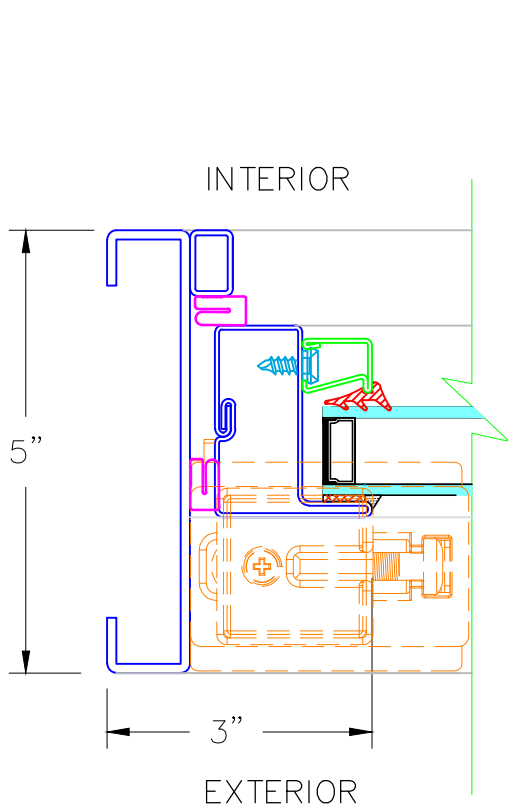
Cold Rolled Steel

Up To 1" Insulated Glass

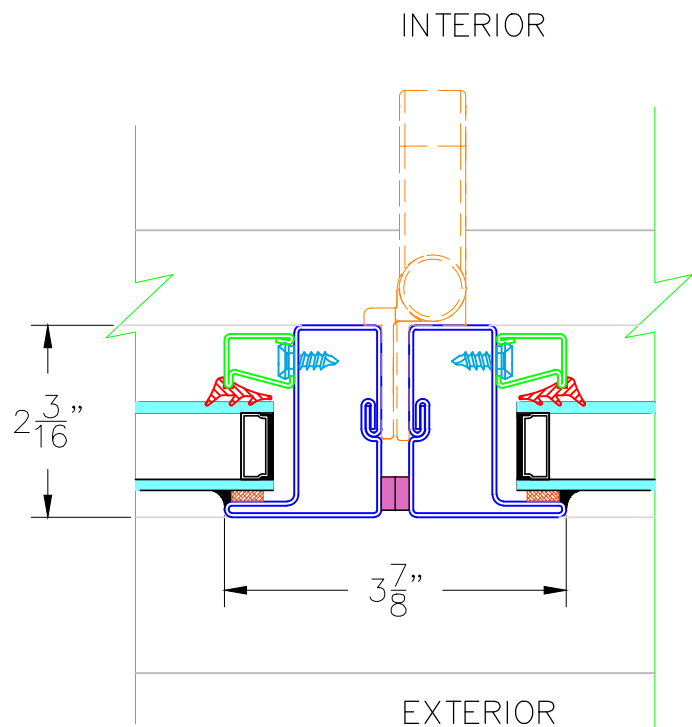
Maximum Opening 57 feet (8 Panels Each Direction)

Maximum Panel Sizes 43" Wide and 157" High

PAGE 3 OF 8



**A** TYPICAL JAMB



**B** TYPICAL MEETING RAIL WITH PULL HANDLE



28 Canal Street, Ellenville, NY 12428

Phone (845) 647-1900

FLEX

# 5500-BF-HD SERIES

## Typical Details

### HEAVY DUTY BI-FOLD DOOR

Scale: Half Scale

Non-Thermally Broken

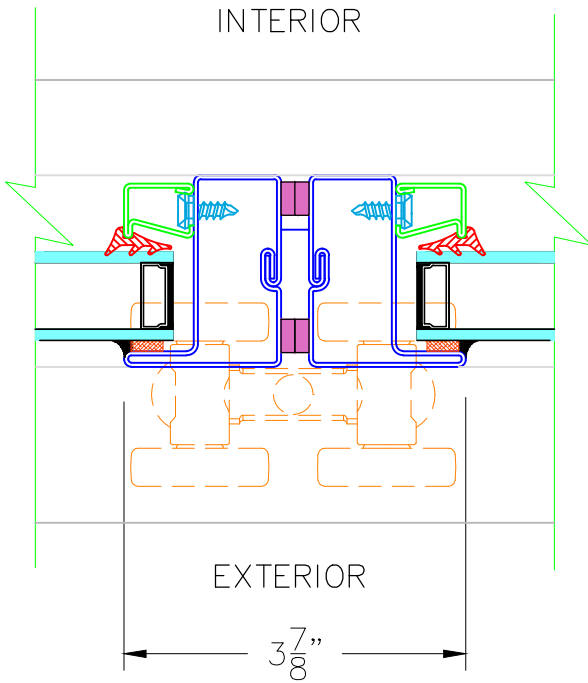
Cold Rolled Steel

Up To 1" Insulated Glass

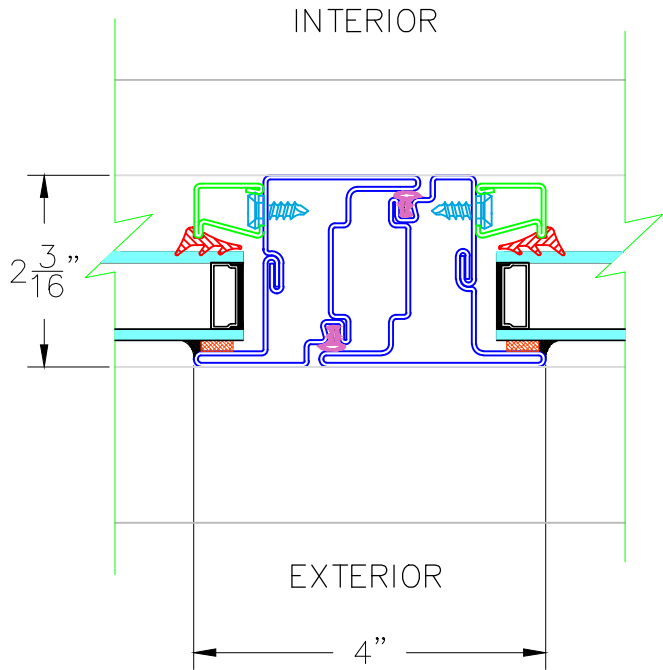
Maximum Opening 57 feet (8 Panels Each Direction)

Maximum Panel Sizes 43" Wide and 157" High

PAGE 4 OF 8



**C** TYPICAL MEETING RAIL



**D** TYPICAL FRENCH MEETING RAIL



28 Canal Street, Ellenville, NY 12428  
Phone (845) 647-1900

FLEX

# 5500-BF-HD SERIES

## Typical Details

### HEAVY DUTY BI-FOLD DOOR

Scale: Half Scale

Non-Thermally Broken

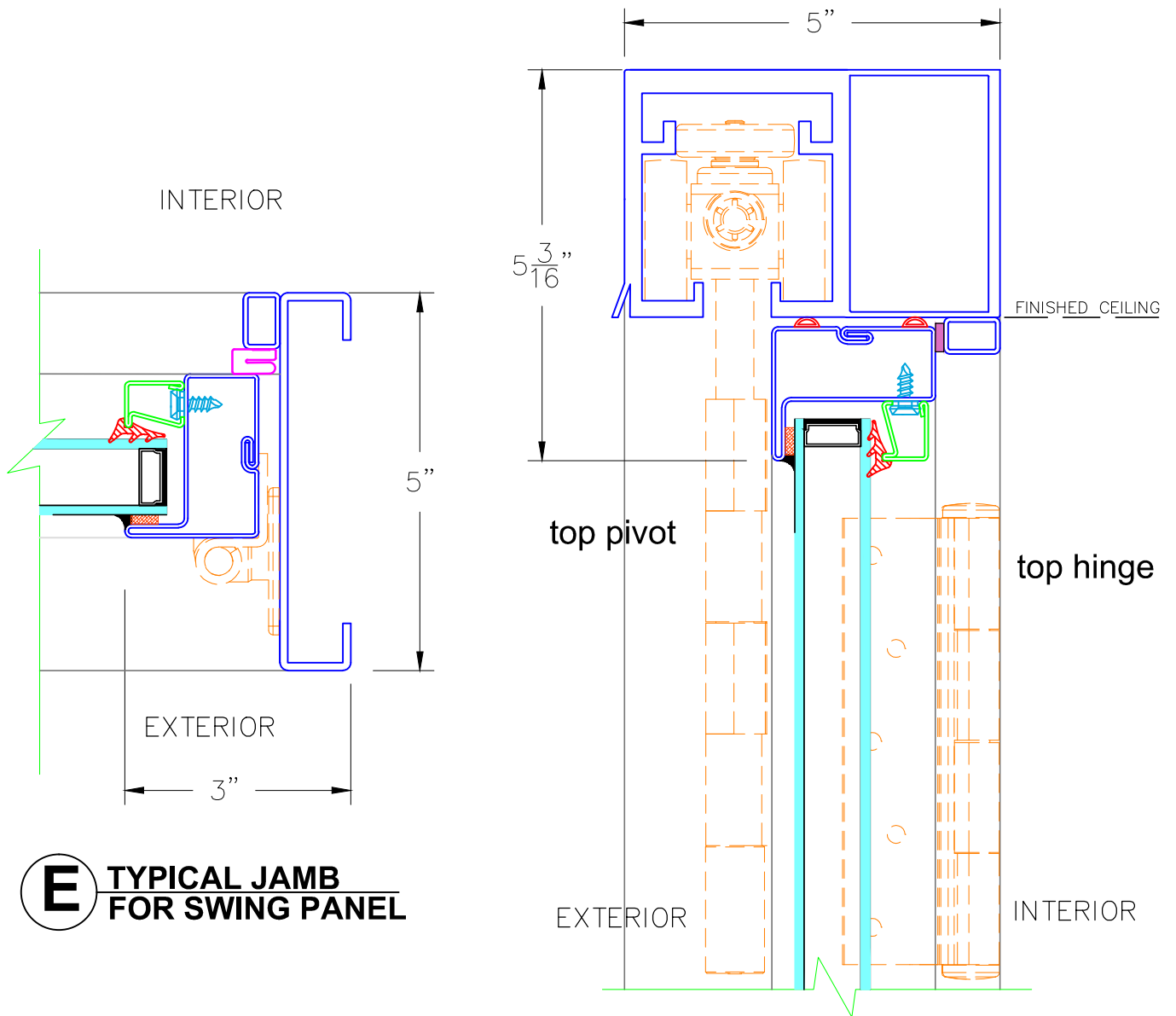
Cold Rolled Steel

Up To 1" Insulated Glass

Maximum Opening 57 feet (8 Panels Each Direction)

Maximum Panel Sizes 43" Wide and 157" High

PAGE 5 OF 8



**E** TYPICAL JAMB FOR SWING PANEL

**F** TYPICAL HEADER @ BI-FOLD



28 Canal Street, Ellenville, NY 12428  
Phone (845) 647-1900

# FLEX

# 5500-BF-HD SERIES

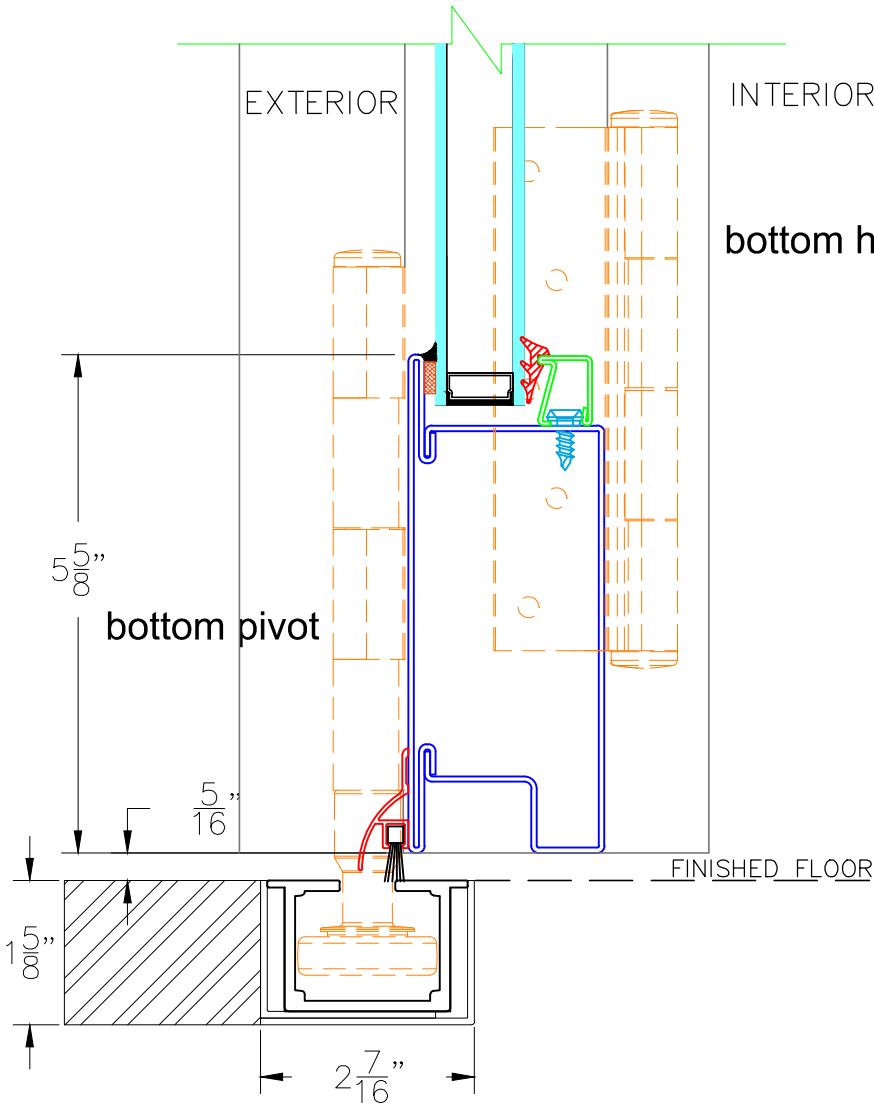
## Typical Details

**HEAVY DUTY BI-FOLD DOOR**  
Scale: Half Scale

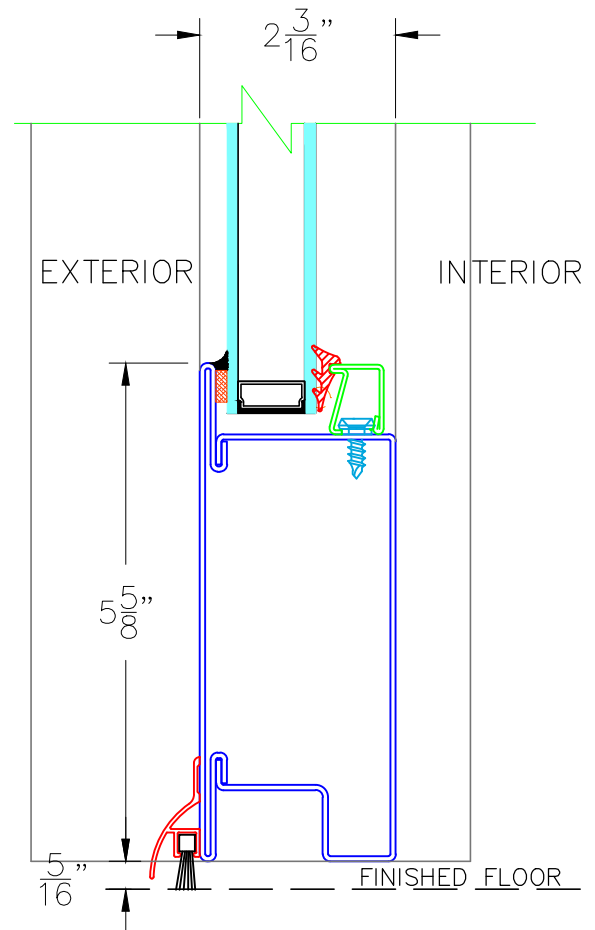
Non-Thermally Broken  
Cold Rolled Steel  
Up To 1" Insulated Glass

**PAGE 6 OF 8**

Maximum Opening 57 feet (8 Panels Each Direction)  
Maximum Panel Sizes 43" Wide and 157" High



**G** TYPICAL BI-FOLD FLOOR CHANNEL



**J** TYPICAL THRESHOLD @ PRIMARY VENT



28 Canal Street, Ellenville, NY 12428  
Phone (845) 647-1900

FLEX

# 5500-BF-HD SERIES

## Typical Details

### HEAVY DUTY BI-FOLD DOOR

Scale: Half Scale

Non-Thermally Broken

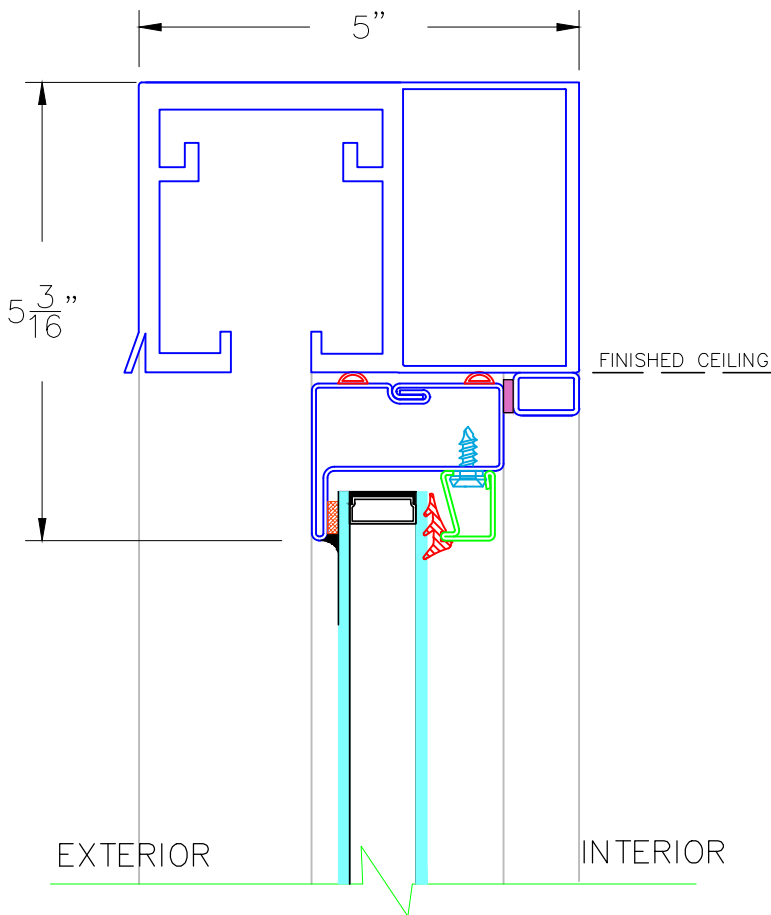
Cold Rolled Steel

Up To 1" Insulated Glass

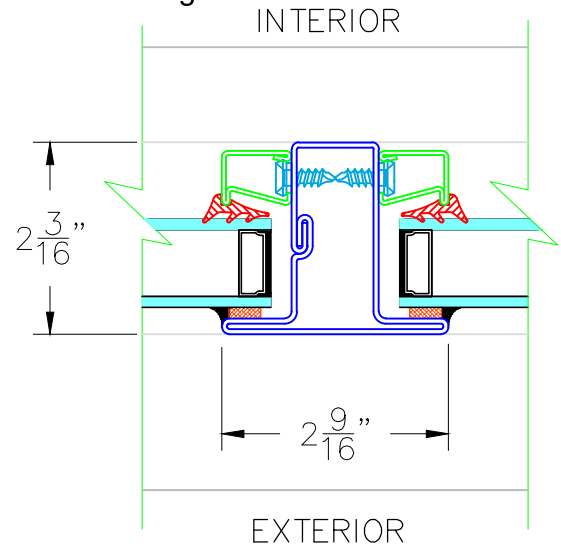
Maximum Opening 57 feet (8 Panels Each Direction)

Maximum Panel Sizes 43" Wide and 157" High

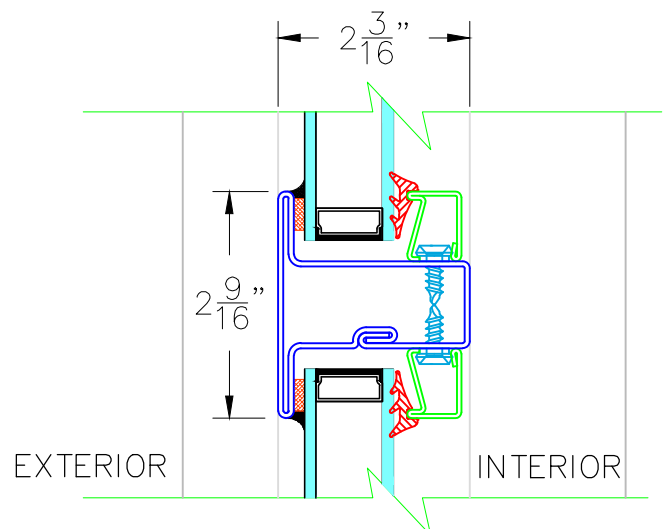
PAGE 7 OF 8



**H** TYPICAL HEADER @ PRIMARY VENT



**K** TYPICAL VERTICAL MUNTIN



**L** TYPICAL HORIZONTAL MUNTIN



28 Canal Street, Ellenville, NY 12428  
Phone (845) 647-1900

FLEX

# 5500-BF-HD SERIES

## Typical Details

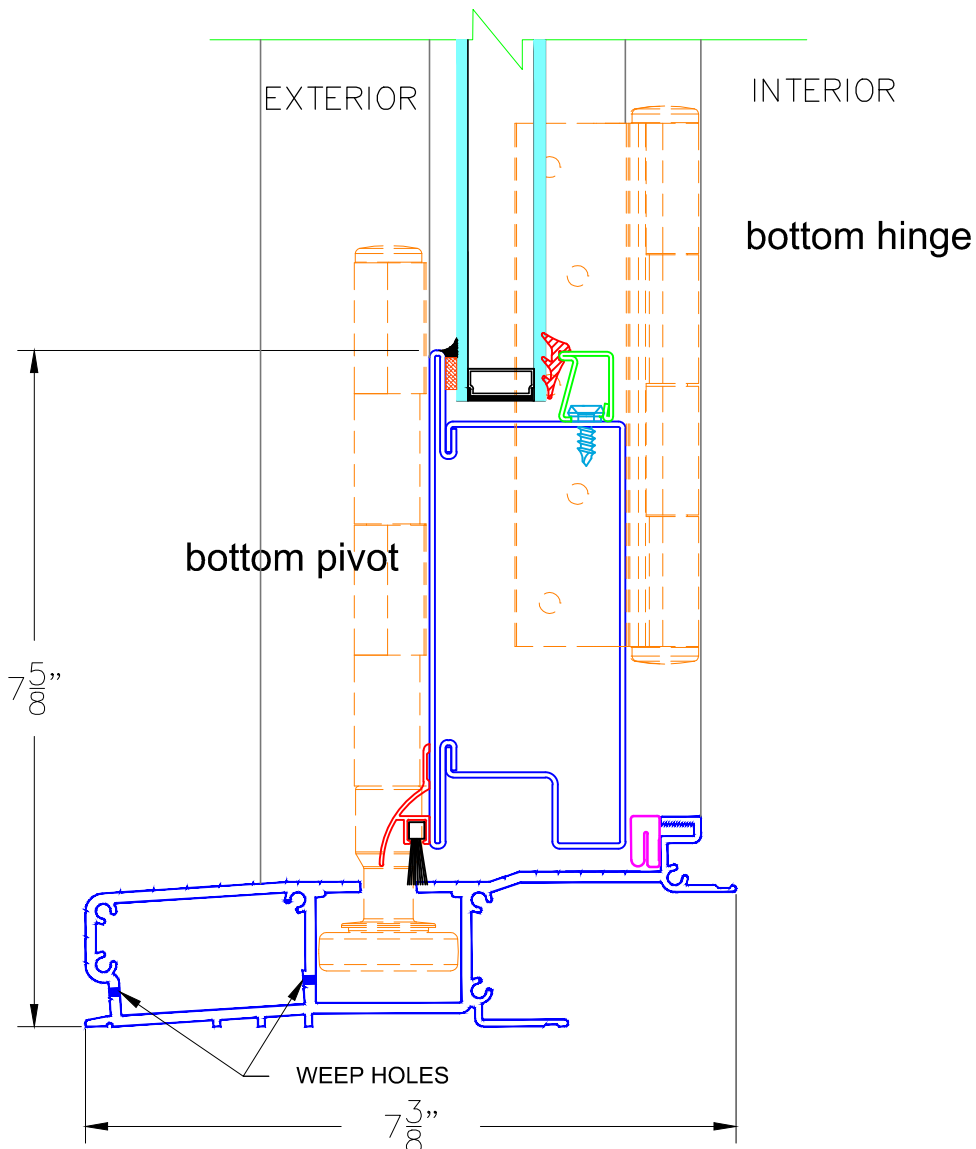
**HEAVY DUTY BI-FOLD DOOR**  
Scale: Half Scale

Non-Thermally Broken  
Cold Rolled Steel  
Up To 1" Insulated Glass

**PAGE 8 OF 8**

Maximum Opening 57 feet (8 Panels Each Direction)  
Maximum Panel Sizes 43" Wide and 157" High

### OPTIONAL TRACK



**1** **OPTIONAL BI-FOLD SILL SYSTEM**



28 Canal Street, Ellenville, NY 12428  
Phone (845) 647-1900